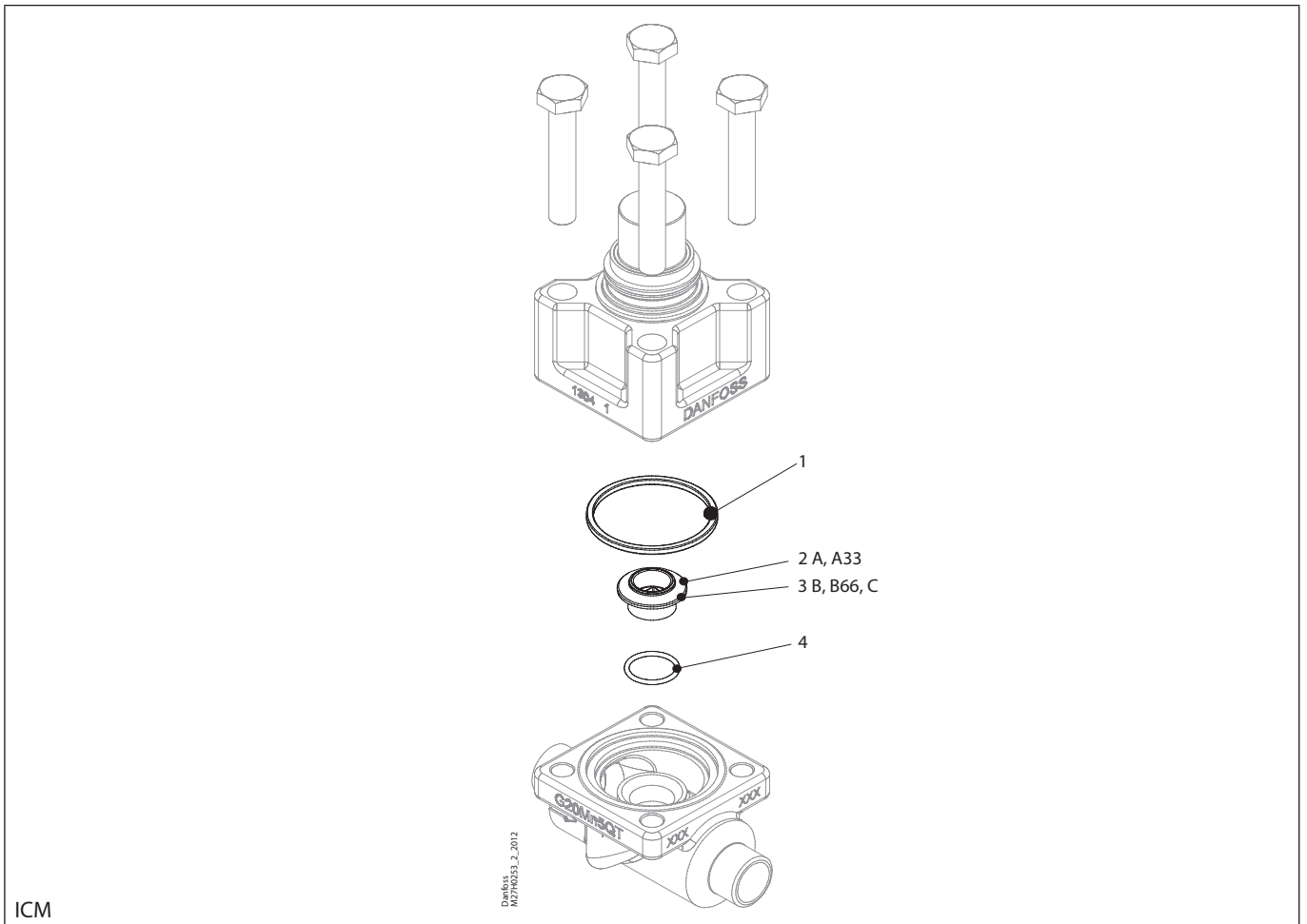


Installation guide – Spare parts and accessories

Repair kit | Code number 027H1190

ICM, size 20 (20A / 20A-33 / 20B / 20B-66 / 20C)



ICM

<p>1</p> <p>Total no. = 1</p>	<p>2</p> <p>Total no. = 1</p>	<p>3</p> <p>Total no. = 1</p>	<p>4</p> <p>Total no. = 1</p>	
--------------------------------------	--------------------------------------	--------------------------------------	--------------------------------------	--