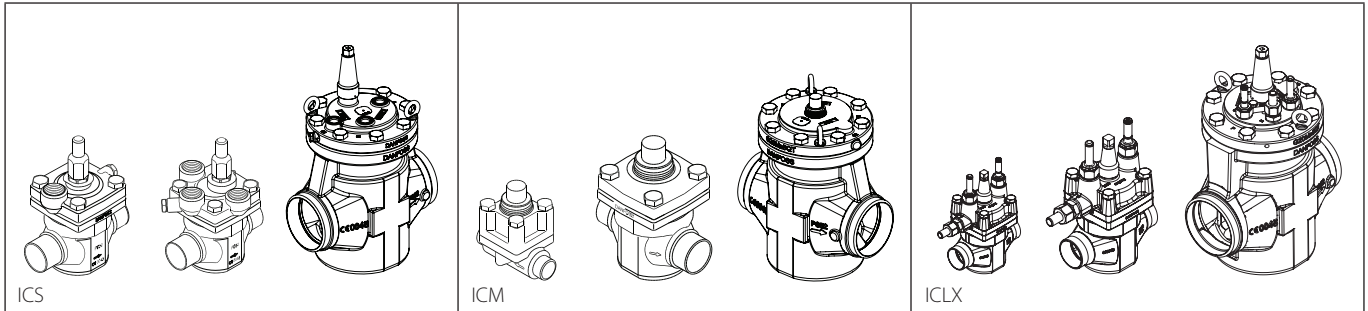


Data sheet

Spare parts and accessories

Pilot operated servo valve, type ICS | Motor operated valve, type ICM |
2-step solenoid valve, type ICLX



Valve type	Size	See details on page #	Code no.
Inspection kits			
ICS, ICM, ICLX	25 ¹⁾	2	027H2218
	32	3	027H3016
	40	4	027H4014
	50	5	027H5014
	65 / 80	6	027H6016
	100	7	027H7191
	125	8	027H7194
150	9	027H7196	

Valve type	Size	See details on page #	Code no.
Repair kits			
ICS, ICLX	25 ²⁾	10	027H2219
	32	11	027H3017
	40	12	027H4015
	50	13	027H5015
	65 / 80	14	027H6017
	100	15	027H7192
	125	16	027H7204
ICM	150	17	027H7197
	20	18	027H1190
	100	19	027H7135 ³⁾
	125	20	027H7155 ³⁾
	150	21	027H7175 ³⁾
	100	19	027H7479 ⁴⁾
125	20	027H7480 ⁴⁾	
150	21	027H7481 ⁴⁾	

Valve type	Size	See details on page #	Code no.
Overhaul kit, ICS			
ICS	25-5	22	027H2225
	25-10	23	027H2138
	25-15	24	027H3019
	25-20	25	027H3043
	25-25	26	027H3044
	32	27	027H3018
	40	28	027H4016

Valve type	Size	See details on page #	Code no.
Overhaul kit, ICS			
ICS	50	29	027H5016
	65	30	027H6018
	80	31	027H6028
	100	32	027H7193
	125	33	027H7195
	150	34	027H7198

Valve type	Size	See details on page #	Code no.
Overhaul kit, ICM			
ICM	20A	35	027H1180
	20A-33	36	027H1186
	20B	37	027H1181
	20B-66	38	027H1194
	20C	39	027H1182
	25A	40	027H2180
	25B	41	027H2181
	32A	42	027H3180
	32B	43	027H3181
	40A	44	027H4180
	40B	45	027H4181
	50A	46	027H5180
	50B	47	027H5181
	65A	48	027H6180
	65B	49	027H6181
	100	50	027H7136
	125	51	027H7156
	150	52	027H7176

Valve type	Size	See details on page #	Code no.
Overhaul kit, ICLX			
ICLX	32	53	027H3204
	40	54	027H4204
	50	55	027H5204
	65 / 80	56	027H6204
	100	57	027H7221
	125	58	027H7222
	150	59	027H7223

Accessories	Code no.
for ICS	60
for ICM	62
for ICLX	64

¹⁾ ICS and ICM only
²⁾ ICS only
³⁾ Standard with cast iron nut
⁴⁾ With peek nut (standard until Week 49, 2021)

Inspection kits:

Contain all gaskets, O-rings and aluminum rings belonging to one valve size. For detailed content, see specific pages mentioned above.

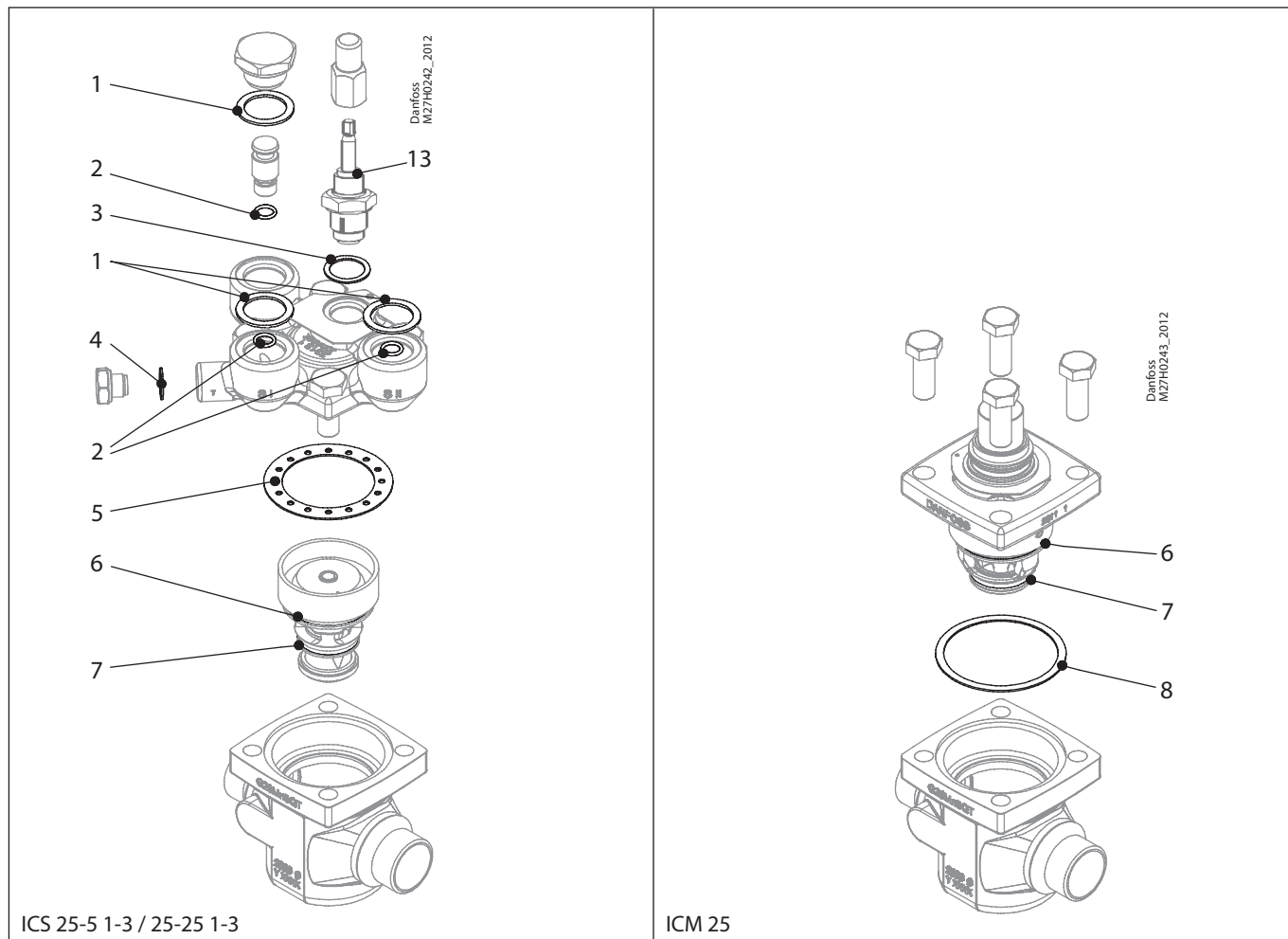
Repair kits:

Contain all gaskets, O-rings and aluminum rings belonging to one valve size, valve seat and piston ring. For detailed content, see specific pages mentioned above.

Overhaul kits:

Contain all gaskets, O-rings and aluminum rings belonging to 1 valve size and parts what could be damaged or worn out. Where possible, code numbers of complete modules or top parts from parts program are used. For detailed content, see specific pages mentioned above.

Inspection kit | Code number 027H2218
ICS, size 25-5 to 25-25 / ICM, size 25

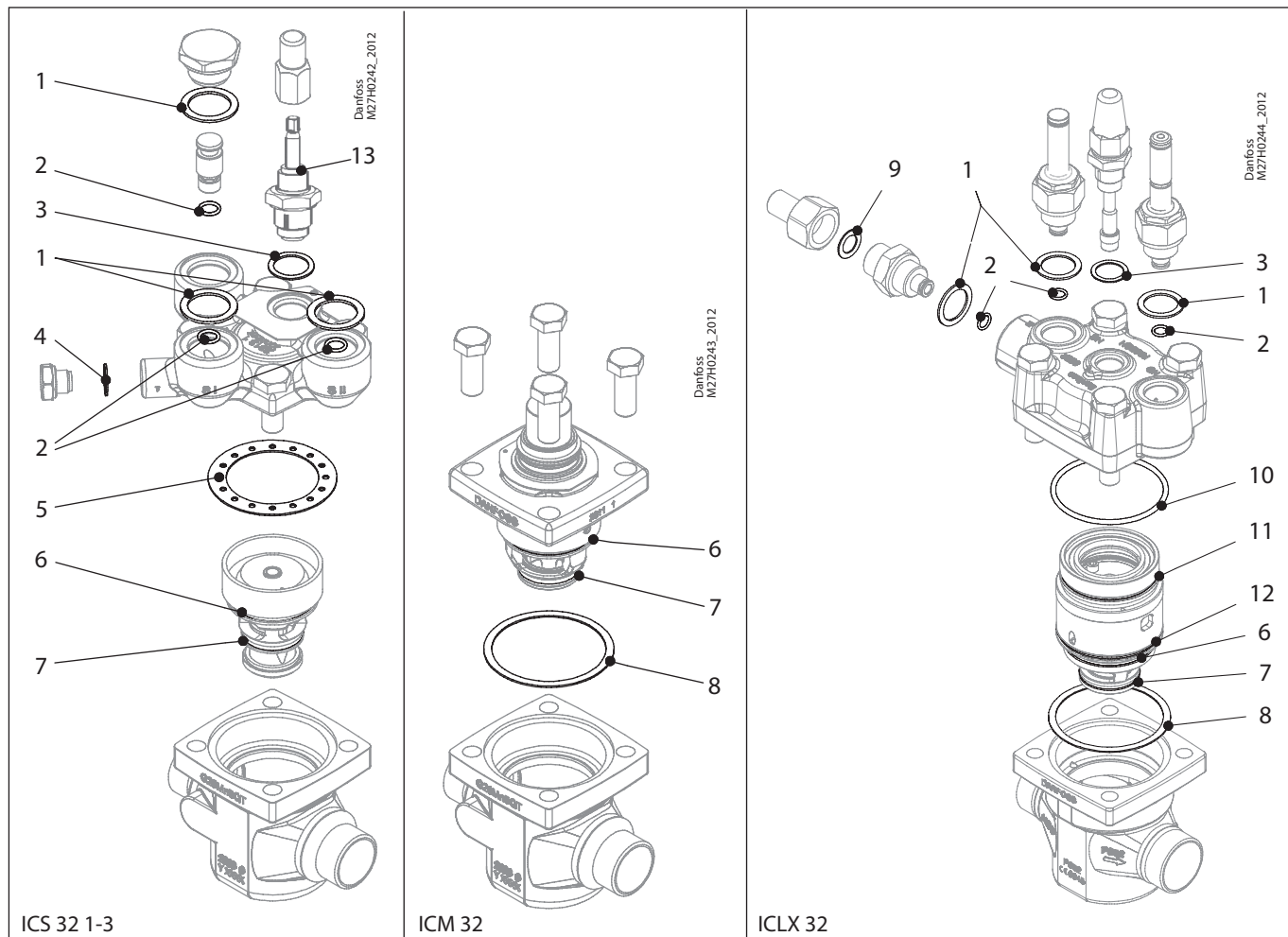


ICS 25-5 1-3 / 25-25 1-3

ICM 25

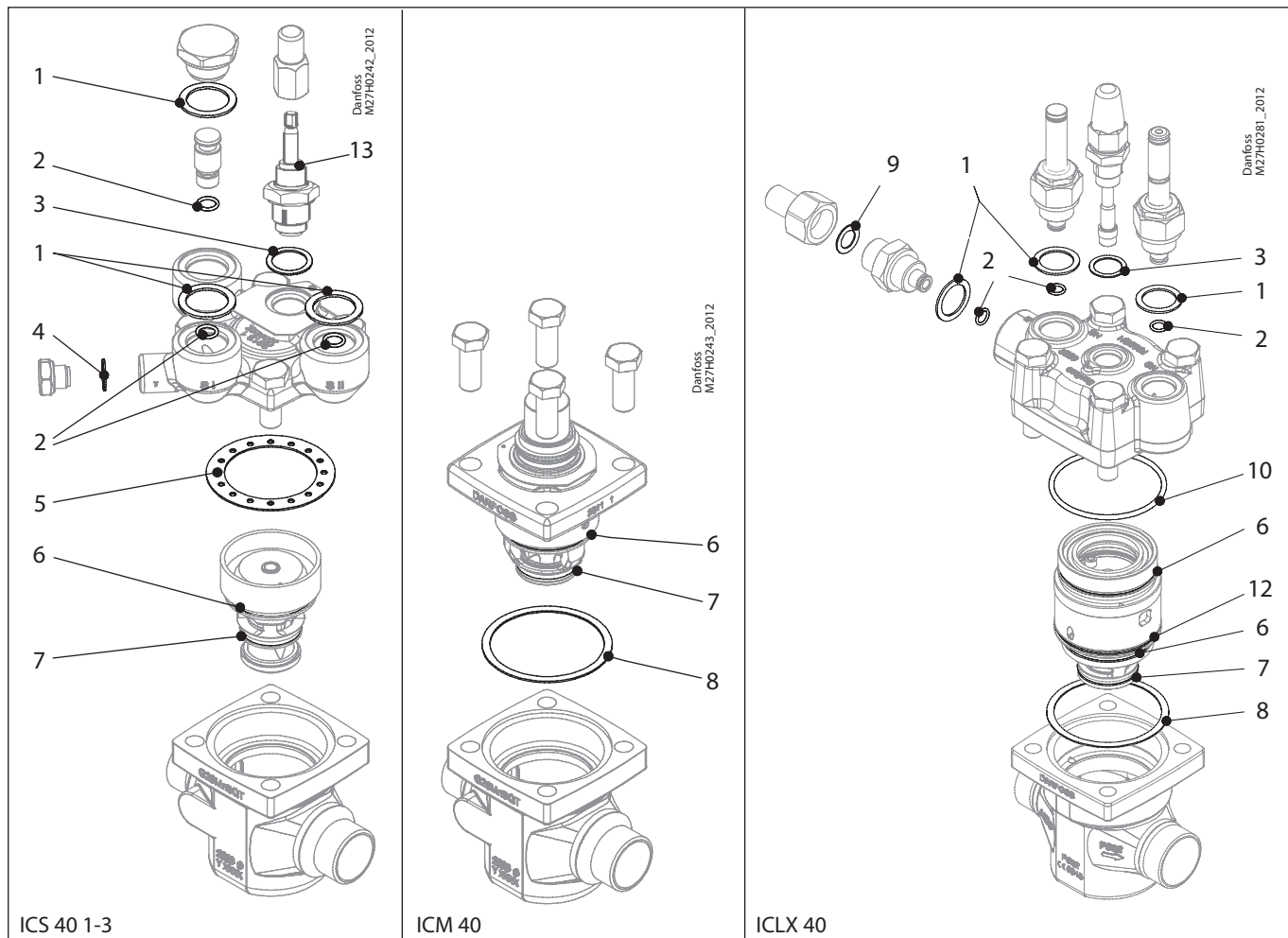
<p>1 = Fibre</p> <p>Total no. = 3</p>	<p>2 = Alu.</p> <p>Total no. = 3</p>	<p>3 = Alu.</p> <p>Total no. = 1</p>	<p>4 = Alu.</p> <p>Total no. = 1</p>	<p>5 = Fibre</p> <p>Total no. = 1</p>
<p>6 = Alu.</p> <p>Total no. = 1</p>	<p>7 = Alu.</p> <p>Total no. = 2</p>	<p>8 = Fibre</p> <p>Total no. = 1</p>	<p>13 = Fibre</p> <p>Total no. = 1</p>	

Inspection kit | Code number 027H3016
ICS, size 32 (1-3) / ICM, size 32 / ICLX, size 32



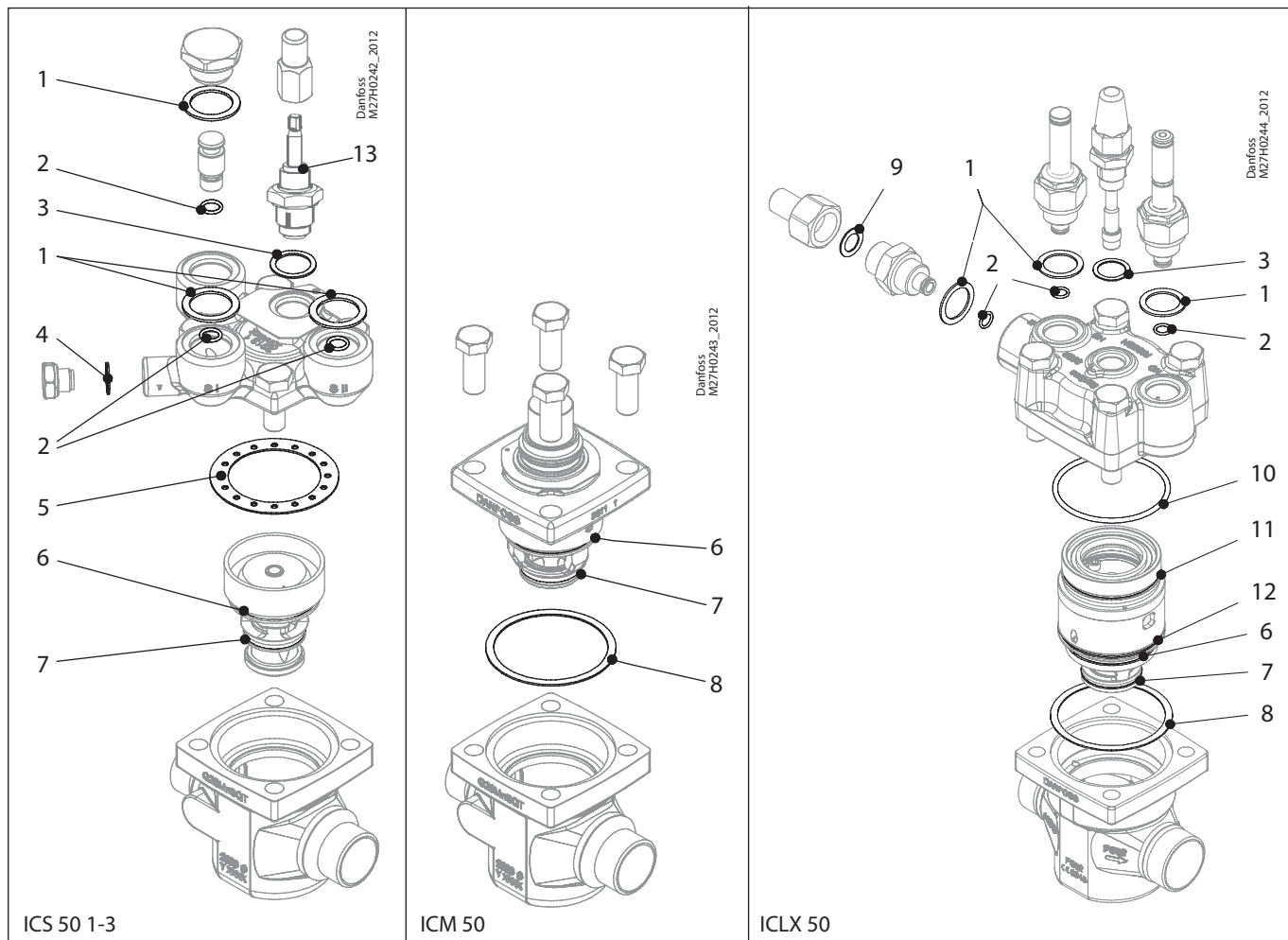
<p>1</p> <p> = Fibre</p> <p>Total no. = 3</p>	<p>2</p> <p>Total no. = 3</p>	<p>3</p> <p> = Alu.</p> <p>Total no. = 1</p>	<p>4</p> <p> = Alu.</p> <p>Total no. = 1</p>	<p>5</p> <p> = Fibre</p> <p>Total no. = 1</p>
<p>6</p> <p>Total no. = 1</p>	<p>7</p> <p>Total no. = 1</p>	<p>8</p> <p> = Fibre</p> <p>Total no. = 1</p>	<p>9</p> <p> = Alu.</p> <p>Total no. = 1</p>	<p>10</p> <p>Total no. = 1</p>
<p>11</p> <p>Total no. = 1</p>	<p>12</p> <p>Total no. = 1</p>	<p>13</p> <p>Total no. = 1</p>		

Inspection kit | Code number 027H4014
ICS, size 40 (1-3) / ICM, size 40 / ICLX, size 40



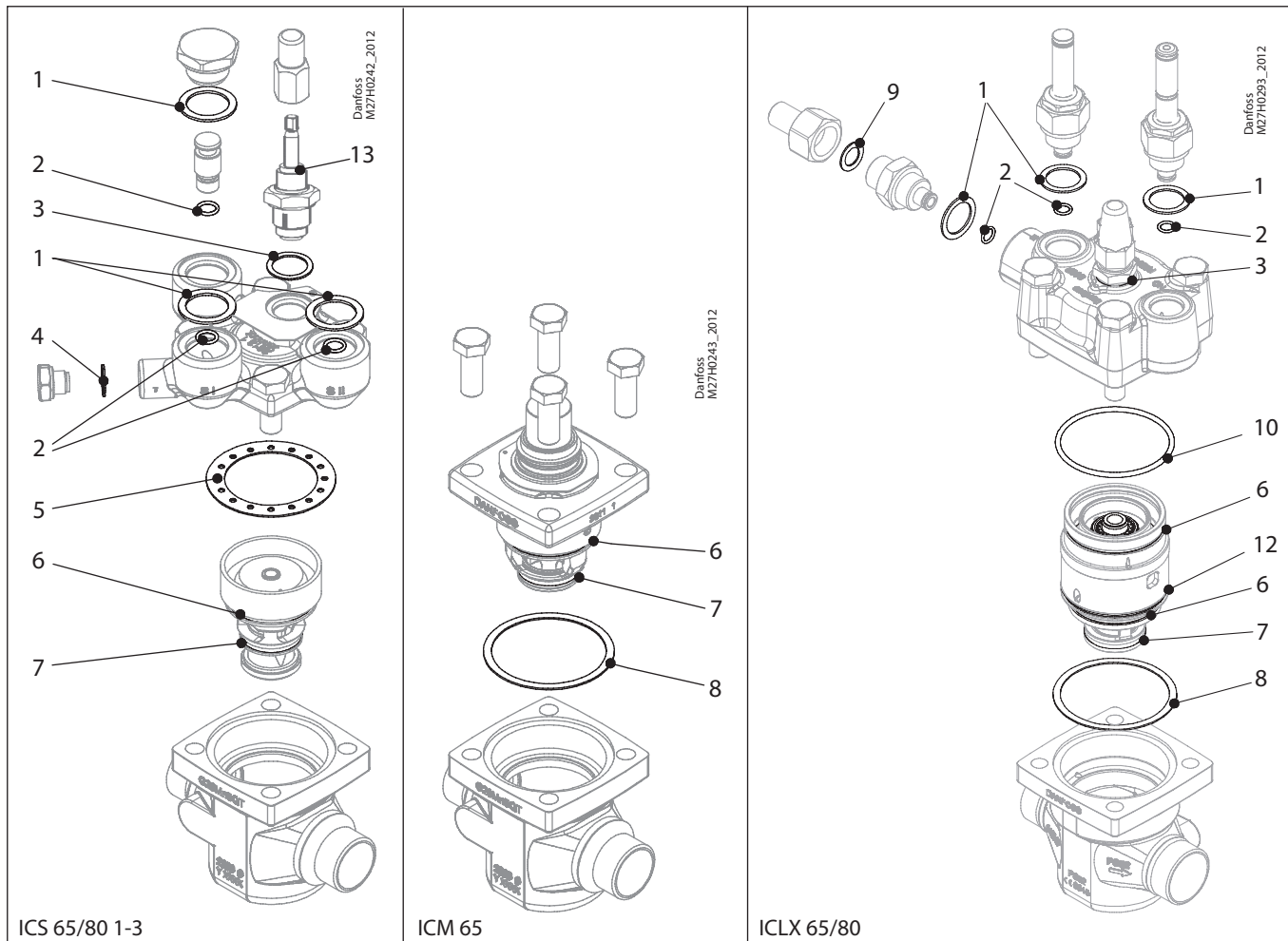
<p>1</p> <p> = Fibre</p> <p>Total no. = 3</p>	<p>2</p> <p>Total no. = 3</p>	<p>3</p> <p> = Alu.</p> <p>Total no. = 1</p>	<p>4</p> <p> = Alu.</p> <p>Total no. = 1</p>	<p>5</p> <p> = Fibre</p> <p>Total no. = 1</p>
<p>6</p> <p>Total no. = 2</p>	<p>7</p> <p>Total no. = 1</p>	<p>8</p> <p> = Fibre</p> <p>Total no. = 1</p>	<p>9</p> <p> = Alu.</p> <p>Total no. = 1</p>	<p>10</p> <p>Total no. = 1</p>
<p>12</p> <p>Total no. = 1</p>	<p>13</p> <p>Total no. = 1</p>			

Inspection kit | Code number 027H5014
ICS, size 50 (1-3) / ICM, size 50 / ICLX, size 50



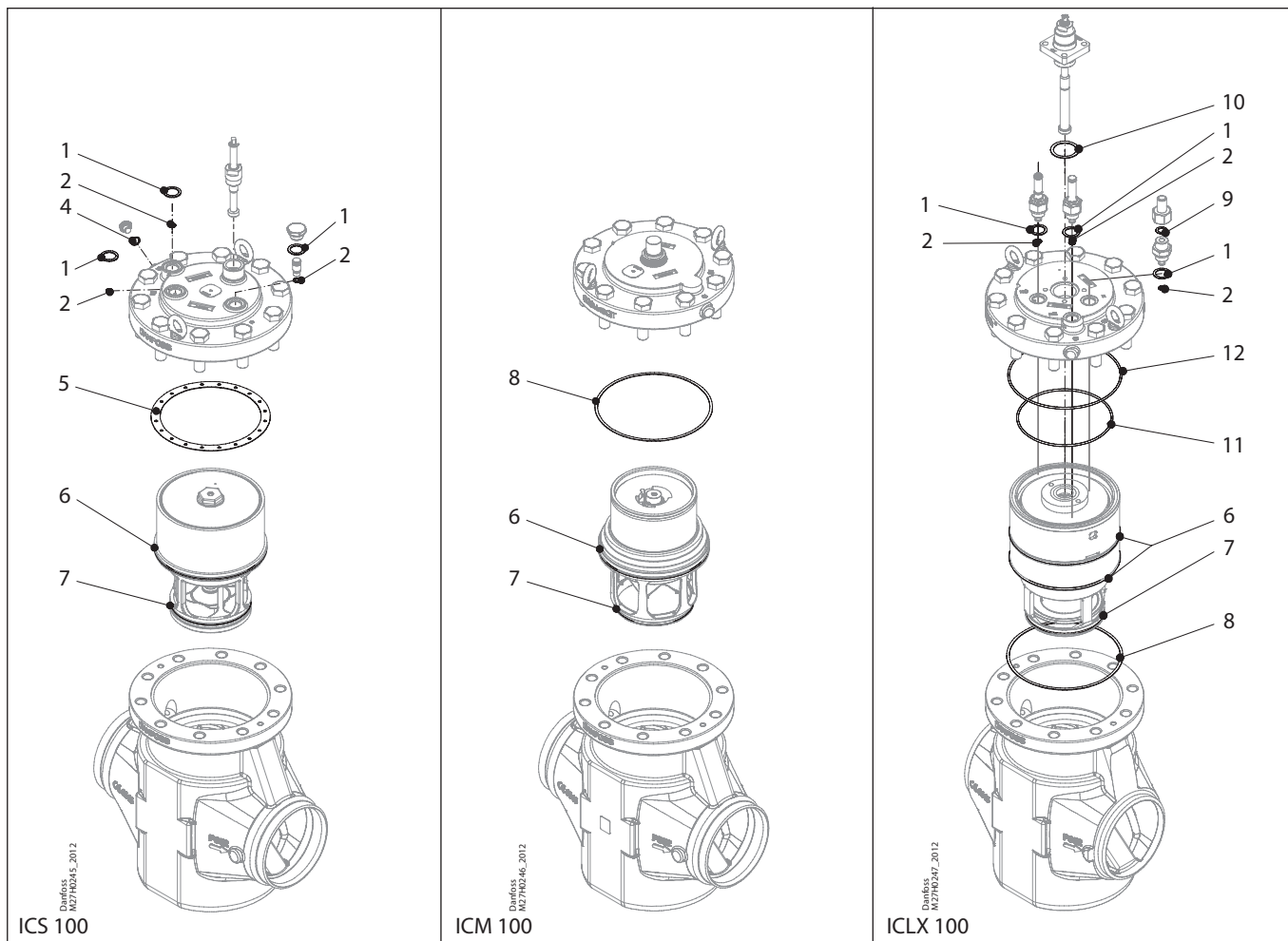
<p>1</p> <p> = Fibre</p> <p>Total no. = 3</p>	<p>2</p> <p>Total no. = 3</p>	<p>3</p> <p> = Alu.</p> <p>Total no. = 1</p>	<p>4</p> <p> = Alu.</p> <p>Total no. = 1</p>	<p>5</p> <p> = Fibre</p> <p>Total no. = 1</p>
<p>6</p> <p>Total no. = 1</p>	<p>7</p> <p>Total no. = 1</p>	<p>8</p> <p> = Fibre</p> <p>Total no. = 1</p>	<p>9</p> <p> = Alu.</p> <p>Total no. = 1</p>	<p>10</p> <p>Total no. = 1</p>
<p>11</p> <p>Total no. = 1</p>	<p>12</p> <p>Total no. = 1</p>	<p>13</p> <p>Total no. = 1</p>		

Inspection kit | Code number 027H6016
ICS, size 65/80 (1-3) / ICM, size 65 / ICLX, size 65/80



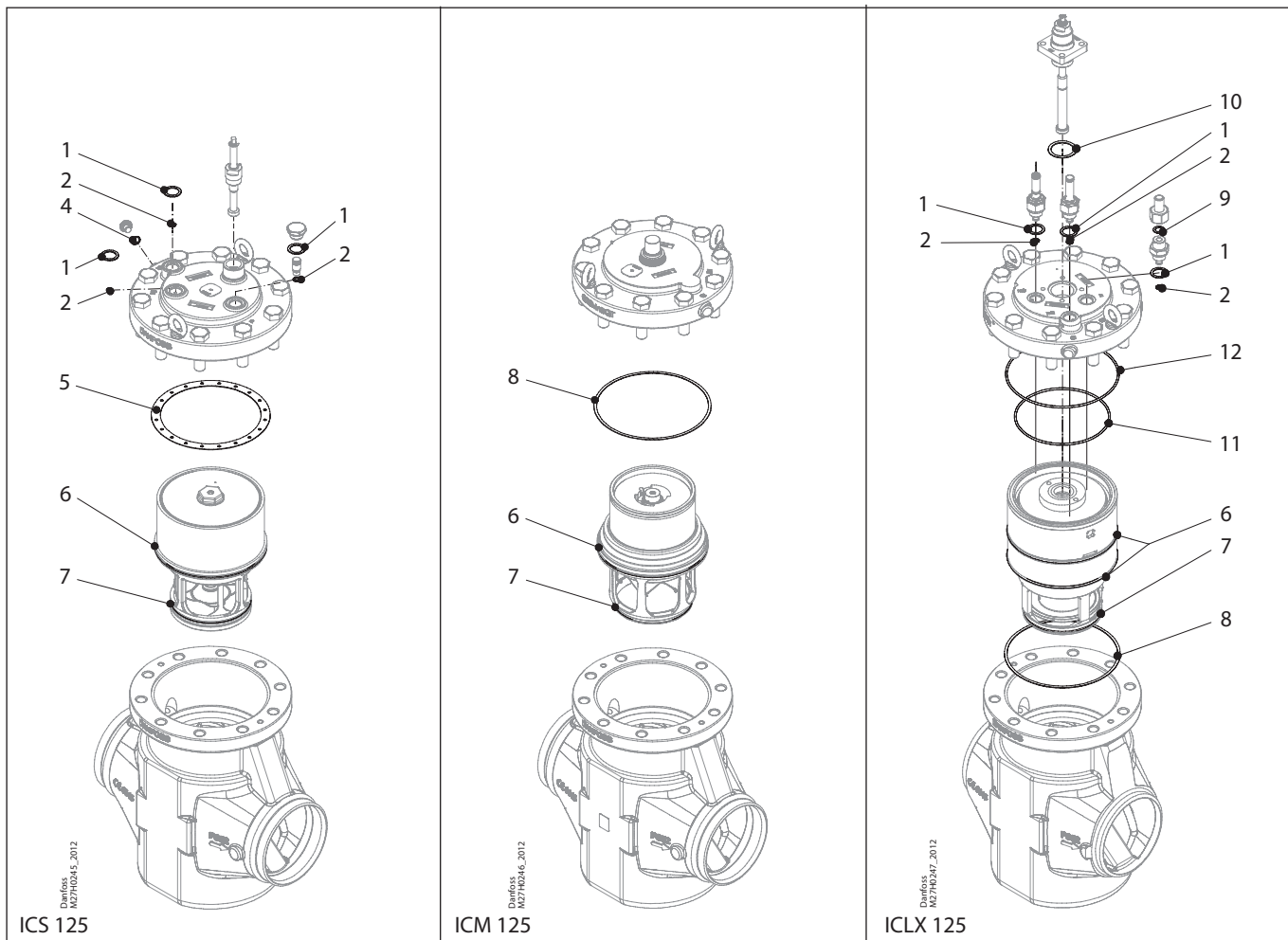
<p>1 = Fibre</p> <p>Total no. = 3</p>	<p>2 </p> <p>Total no. = 3</p>	<p>3 = Alu.</p> <p>Total no. = 1</p>	<p>4 = Alu.</p> <p>Total no. = 1</p>	<p>5 = Fibre</p> <p>Total no. = 1</p>
<p>6 </p> <p>Total no. = 2</p>	<p>7 </p> <p>Total no. = 1</p>	<p>8 = Fibre</p> <p>Total no. = 1</p>	<p>9 = Alu.</p> <p>Total no. = 1</p>	<p>10 </p> <p>Total no. = 1</p>
<p>12 </p> <p>Total no. = 1</p>	<p>13 </p> <p>Total no. = 1</p>			

Inspection kit | Code number 027H7191
ICS, size 100 / ICM, size 100 / ICLX, size 100



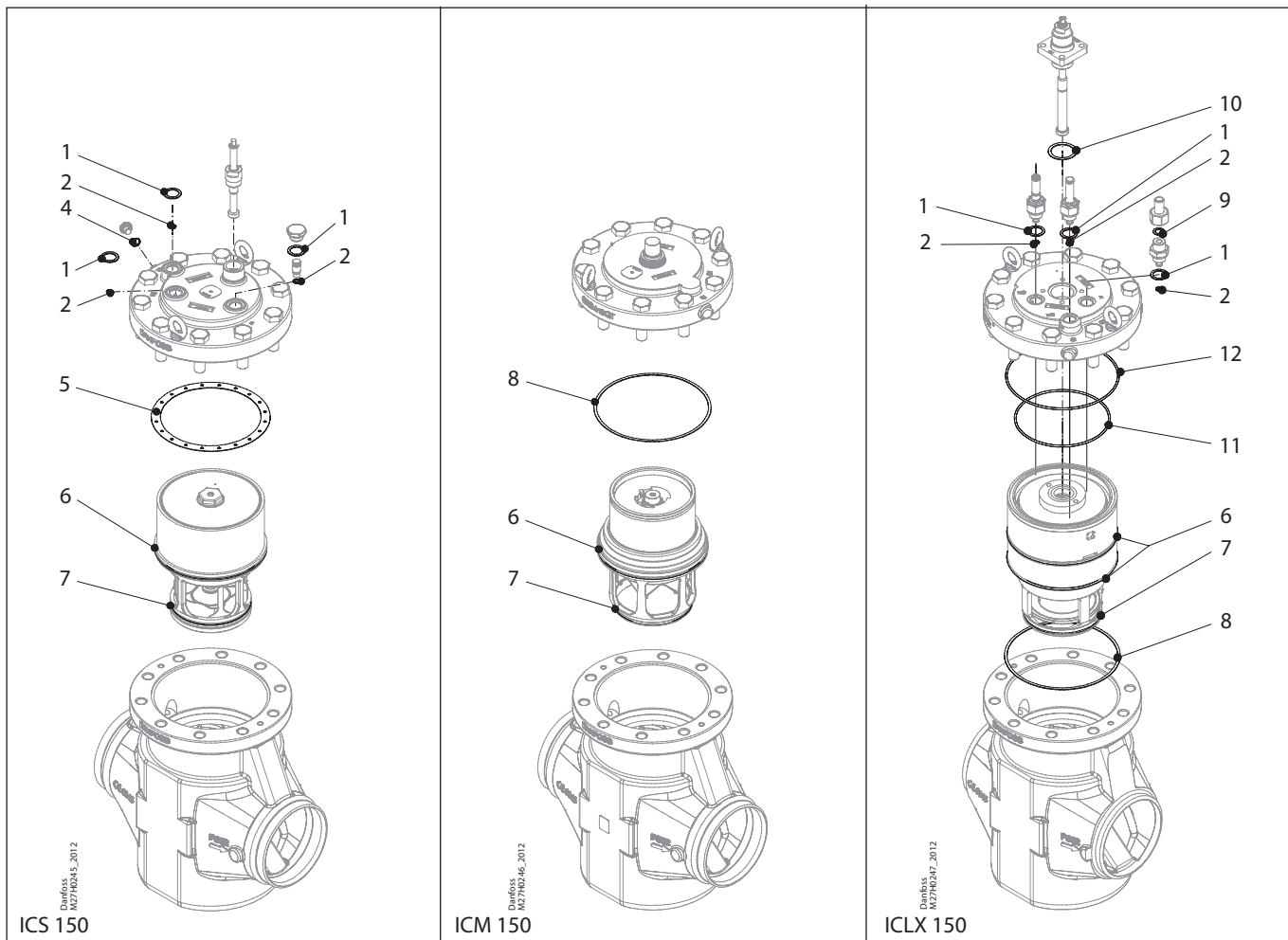
<p>1</p> <p> = Fibre</p> <p>Ø32.5 mm Ø1.28"</p> <p>Total no. = 3</p>	<p>2</p> <p></p> <p>Ø9 mm Ø0.36"</p> <p>Total no. = 3</p>	<p>4</p> <p> = Alu.</p> <p>Ø18 mm Ø0.7"</p> <p>Total no. = 1</p>	<p>5</p> <p> = Fibre</p> <p>Ø150 mm Ø5.91"</p> <p>Total no. = 1</p>	<p>6</p> <p></p> <p>Ø133 mm Ø5.24"</p> <p>Total no. = 2</p>
<p>7</p> <p></p> <p>Ø88 mm Ø3.46"</p> <p>Total no. = 1</p>	<p>8</p> <p> = Fibre</p> <p>Ø150 mm Ø5.91"</p> <p>Total no. = 1</p>	<p>9</p> <p> = Alu.</p> <p>Ø22 mm Ø0.87"</p> <p>Total no. = 1</p>	<p>10</p> <p> = Fibre</p> <p>Ø39 mm Ø1.54"</p> <p>Total no. = 1</p>	<p>11</p> <p></p> <p>Ø114 mm Ø4.49"</p> <p>Total no. = 1</p>
<p>12</p> <p></p> <p>Ø142 mm Ø5.59"</p> <p>Total no. = 1</p>				

Inspection kit | Code number 027H7194
ICS, size 125 / ICM, size 125 / ICLX, size 125



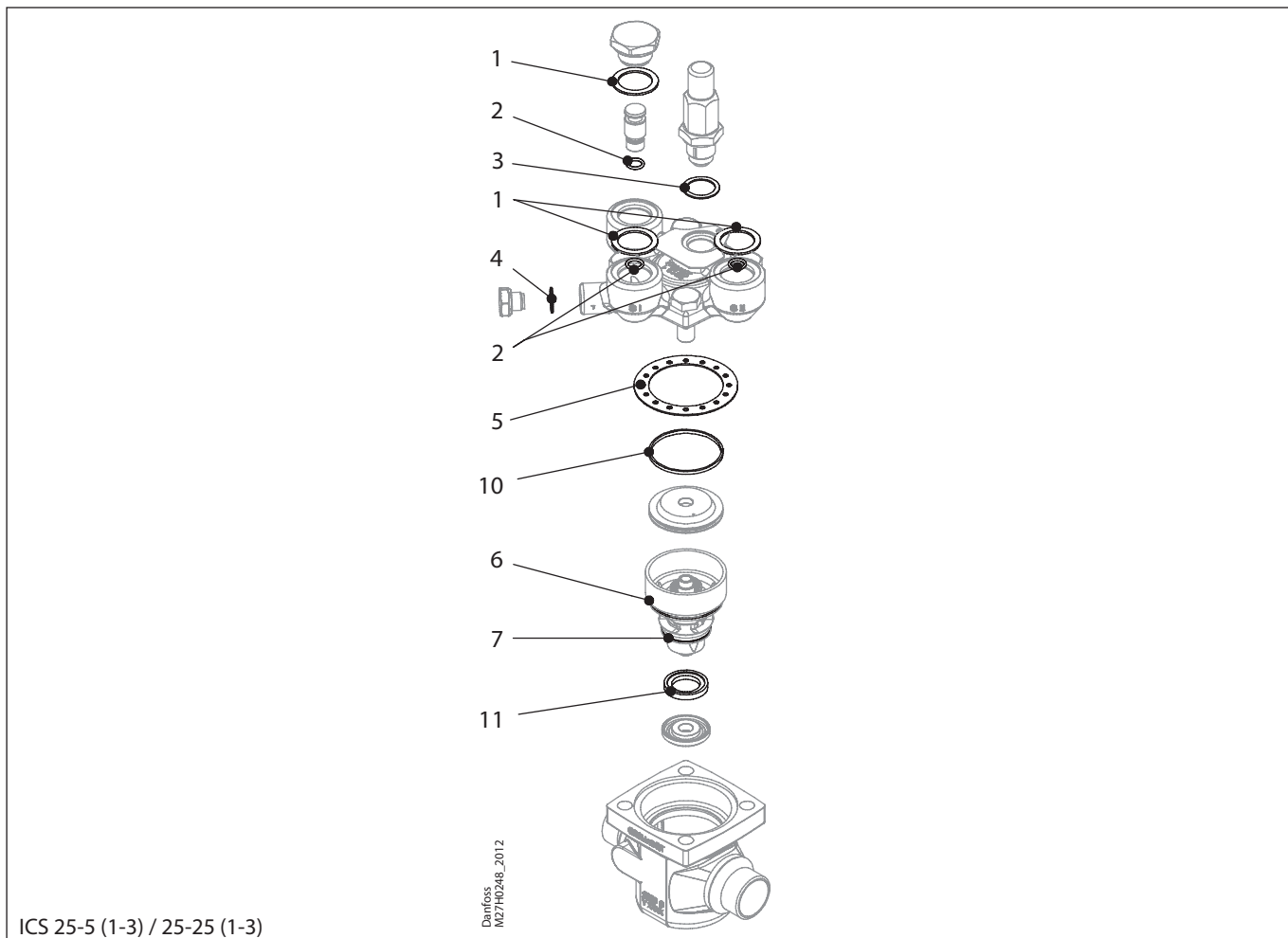
<p>1</p> <p> = Fibre</p> <p>Ø32.5 mm Ø1.28"</p> <p>Total no. = 3</p>	<p>2</p> <p> = Alu.</p> <p>Ø9 mm Ø0.36"</p> <p>Total no. = 3</p>	<p>4</p> <p> = Alu.</p> <p>Ø18 mm Ø0.7"</p> <p>Total no. = 1</p>	<p>5</p> <p> = Fibre</p> <p>Ø178 mm Ø7.01"</p> <p>Total no. = 1</p>	<p>6</p> <p> = Alu.</p> <p>Ø158 mm Ø6.22"</p> <p>Total no. = 2</p>
<p>7</p> <p> = Alu.</p> <p>Ø114 mm Ø4.49"</p> <p>Total no. = 1</p>	<p>8</p> <p> = Fibre</p> <p>Ø178 mm Ø7.01"</p> <p>Total no. = 1</p>	<p>9</p> <p> = Alu.</p> <p>Ø22 mm Ø0.87"</p> <p>Total no. = 1</p>	<p>10</p> <p> = Fibre</p> <p>Ø54 mm Ø2.13"</p> <p>Total no. = 1</p>	<p>11</p> <p> = Alu.</p> <p>Ø133 mm Ø5.24"</p> <p>Total no. = 1</p>
<p>12</p> <p> = Alu.</p> <p>Ø165 mm Ø6.5"</p> <p>Total no. = 1</p>				

Inspection kit | Code number 027H7196
ICS, size 150 / ICM, size 150 / ICLX, size 150



<p>1 = Fibre</p> <p>Ø32.5 mm Ø1.28"</p> <p>Total no. = 3</p>	<p>2 </p> <p>Ø9 mm Ø0.36"</p> <p>Total no. = 3</p>	<p>4 = Alu.</p> <p>Ø18 mm Ø0.7"</p> <p>Total no. = 1</p>	<p>5 = Fibre</p> <p>Ø220 mm Ø8.66"</p> <p>Total no. = 1</p>	<p>6 </p> <p>Ø196 mm Ø7.72"</p> <p>Total no. = 2</p>
<p>7 </p> <p>Ø142 mm Ø5.59"</p> <p>Total no. = 1</p>	<p>8 = Fibre</p> <p>Ø220 mm Ø8.66"</p> <p>Total no. = 1</p>	<p>9 = Alu.</p> <p>Ø22 mm Ø0.87"</p> <p>Total no. = 1</p>	<p>10 = Fibre</p> <p>Ø54 mm Ø2.13"</p> <p>Total no. = 1</p>	<p>11 </p> <p>Ø165 mm Ø6.5"</p> <p>Total no. = 1</p>
<p>12 </p> <p>Ø209 mm Ø8.23"</p> <p>Total no. = 1</p>				

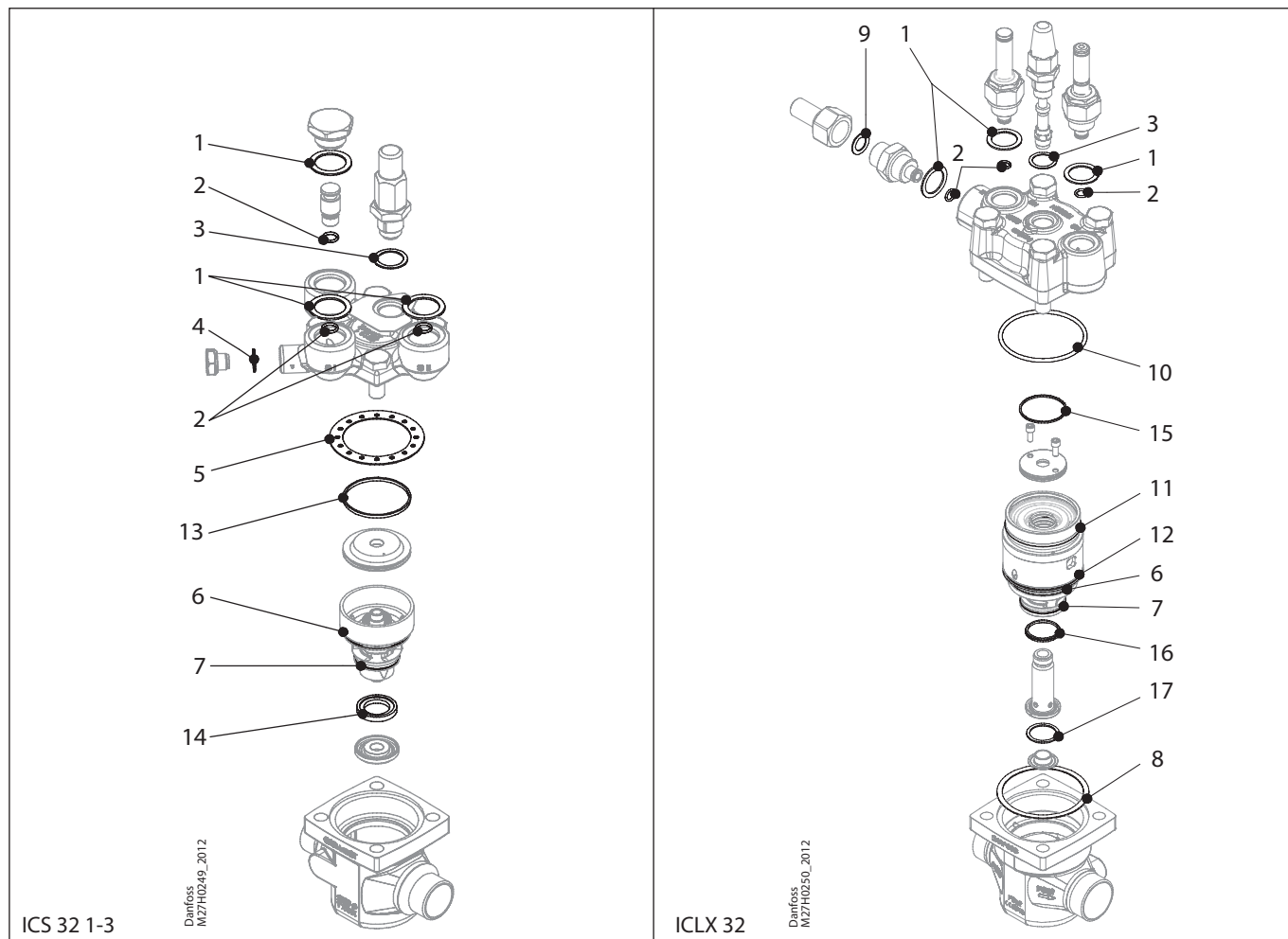
Repair kit | Code number 027H2219
ICS, size 25-5 to 25-25



ICS 25-5 (1-3) / 25-25 (1-3)

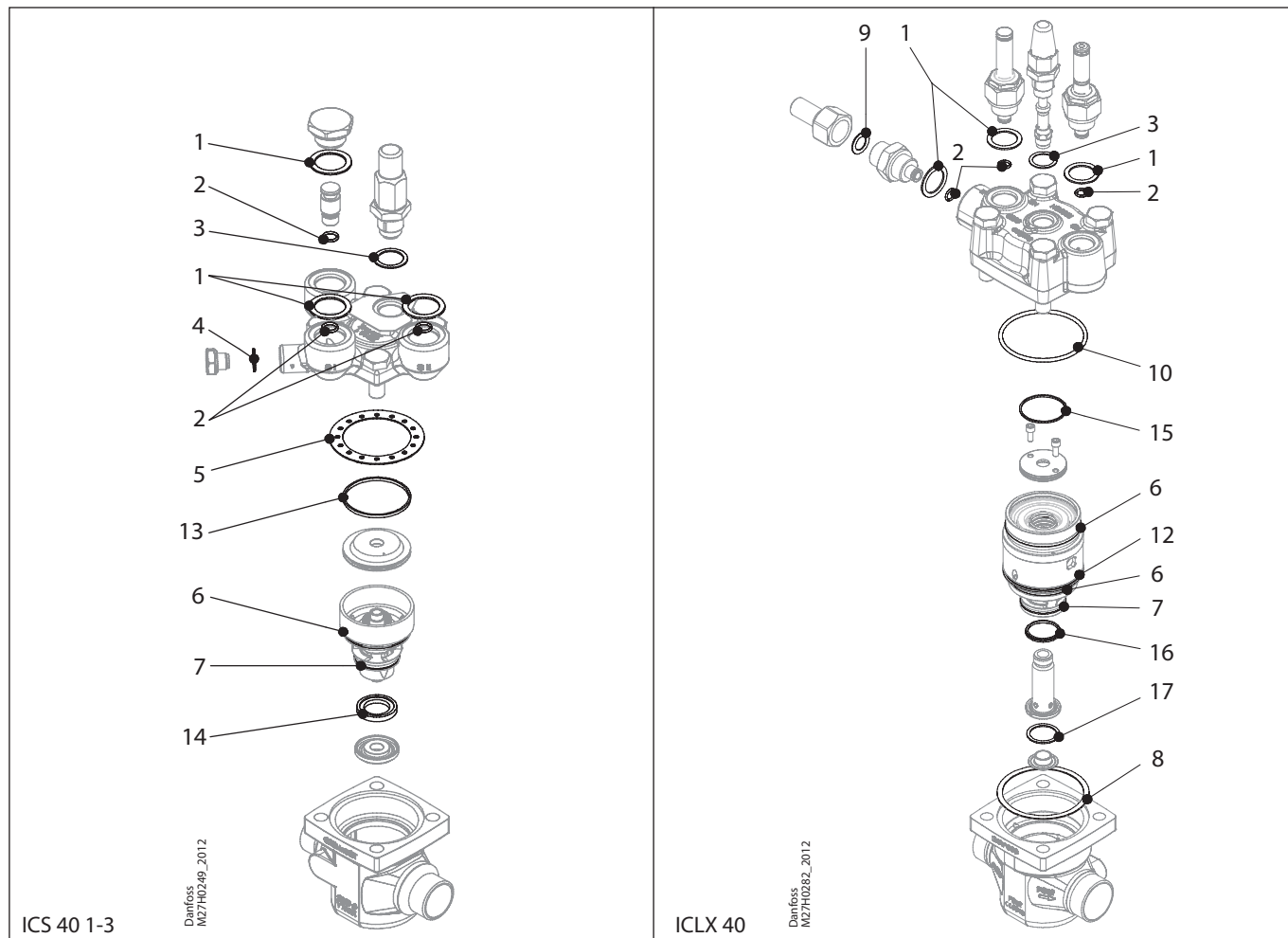
<p>1</p> <p> = Fibre</p> <p>Total no. = 3</p>	<p>2</p> <p>Total no. = 3</p>	<p>3</p> <p> = Alu.</p> <p>Total no. = 1</p>	<p>4</p> <p> = Alu.</p> <p>Total no. = 1</p>	<p>5</p> <p> = Fibre</p> <p>Total no. = 1</p>
<p>6</p> <p>Total no. = 1</p>	<p>7</p> <p>Total no. = 1</p>	<p>10</p> <p> = Steel</p> <p>Total no. = 1</p>	<p>11</p> <p>Total no. = 1</p>	

Repair kit | Code number 027H3017
ICS, size 32 (1-3) / ICLX, size 32



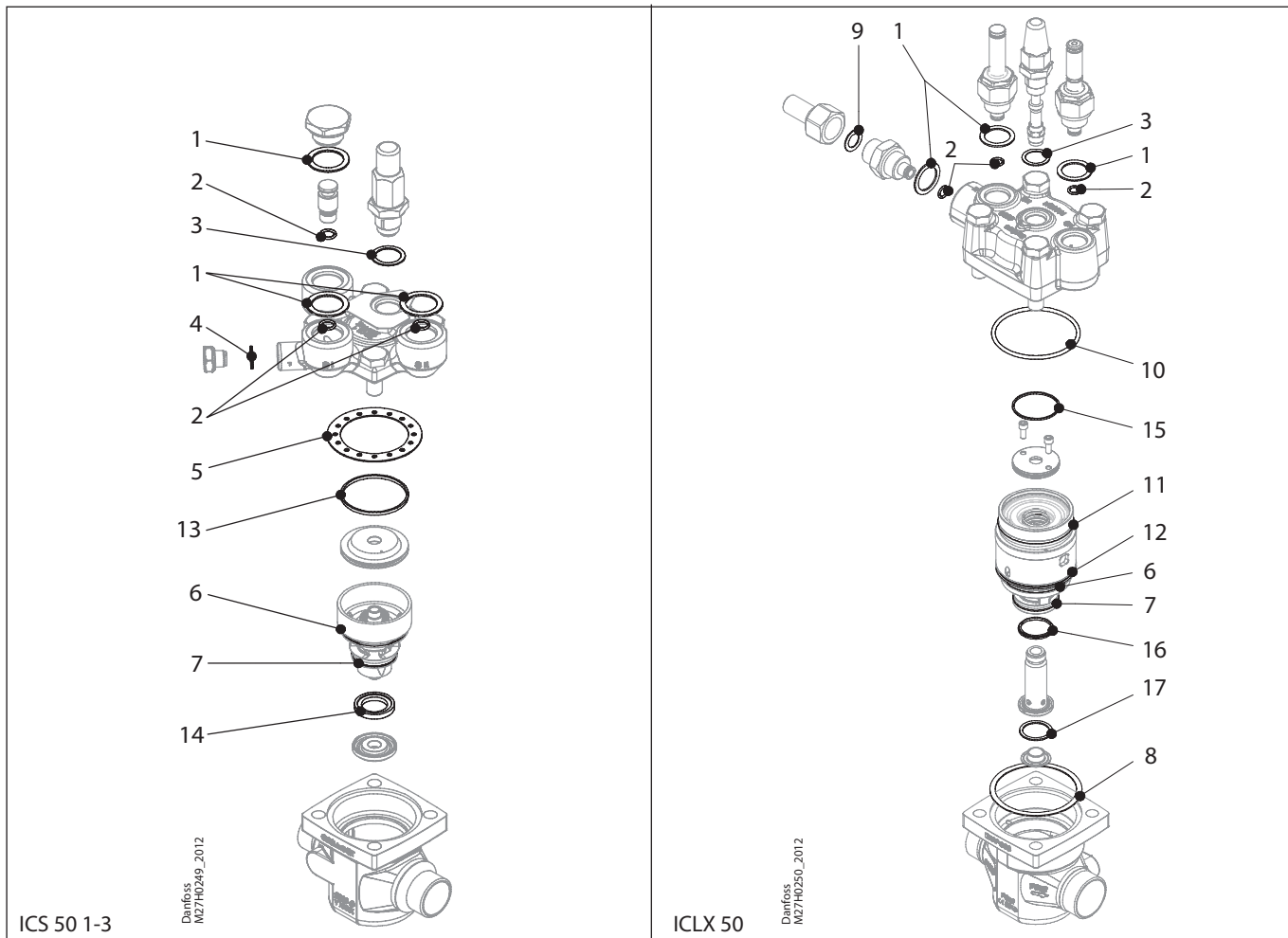
<p>1</p> <p> = Fibre</p> <p>Total no. = 3</p>	<p>2</p> <p>Total no. = 3</p>	<p>3</p> <p> = Alu.</p> <p>Total no. = 1</p>	<p>4</p> <p> = Alu.</p> <p>Total no. = 1</p>	<p>5</p> <p> = Fibre</p> <p>Total no. = 1</p>	<p>6</p> <p>Total no. = 1</p>
<p>7</p> <p>Total no. = 1</p>	<p>8</p> <p> = Fibre</p> <p>Total no. = 1</p>	<p>9</p> <p> = Alu.</p> <p>Total no. = 1</p>	<p>10</p> <p>Total no. = 1</p>	<p>11</p> <p>Total no. = 1</p>	<p>12</p> <p>Total no. = 1</p>
<p>13</p> <p> = Steel</p> <p>Total no. = 1</p>	<p>14</p> <p> = PTFE</p> <p>Total no. = 1</p>	<p>15</p> <p> = Steel</p> <p>Total no. = 1</p>	<p>16</p> <p> = PTFE</p> <p>Total no. = 1</p>	<p>17</p> <p> = PTFE</p> <p>Total no. = 1</p>	

Repair kit | Code number 027H4015
ICS, size 40 (1-3) / ICLX, size 40



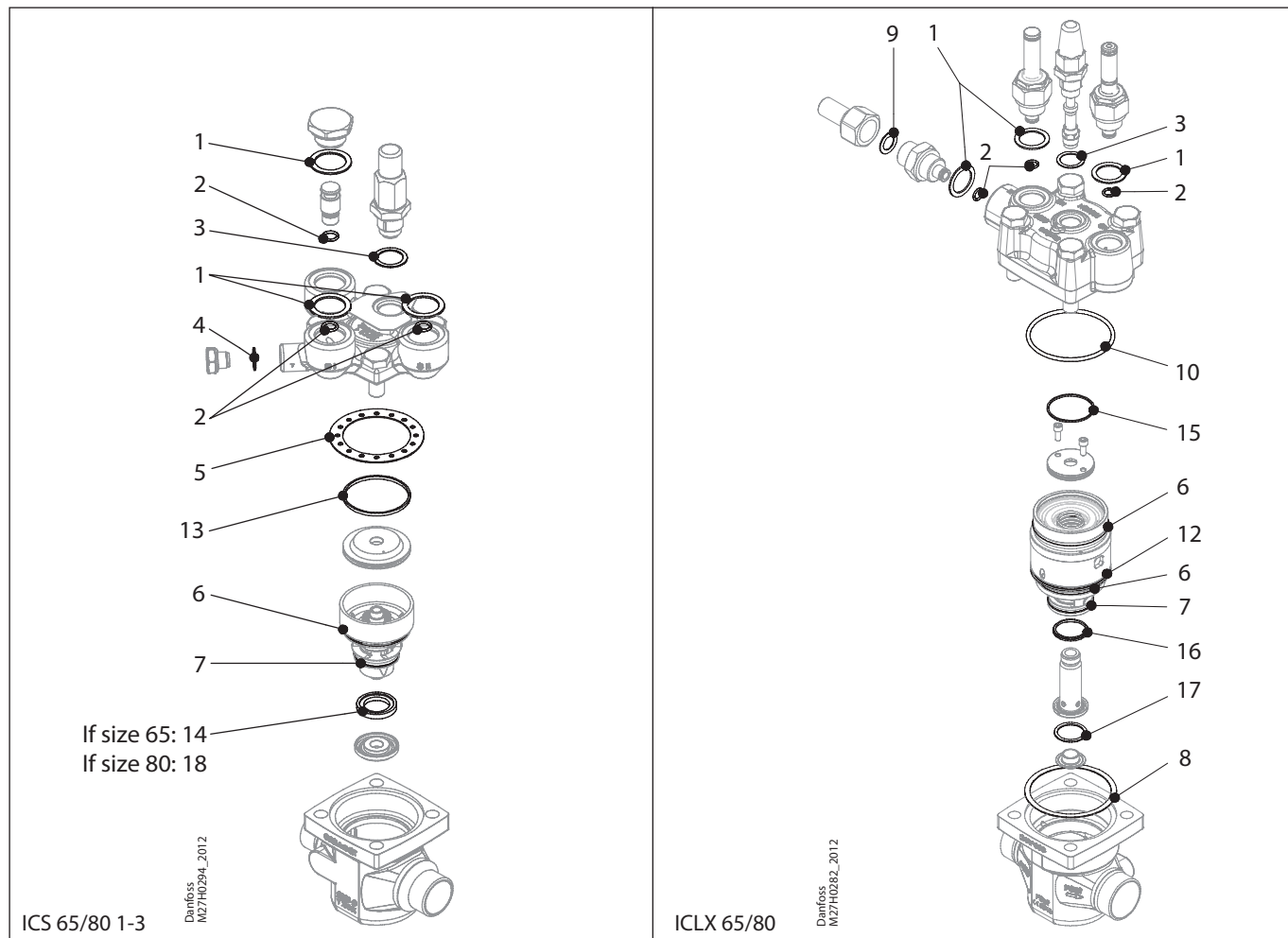
<p>1</p> <p> = Fibre</p> <p>Total no. = 3</p>	<p>2</p> <p> = Al.</p> <p>Total no. = 3</p>	<p>3</p> <p> = Al.</p> <p>Total no. = 1</p>	<p>4</p> <p> = Al.</p> <p>Total no. = 1</p>	<p>5</p> <p> = Fibre</p> <p>Total no. = 1</p>	<p>6</p> <p> = Al.</p> <p>Total no. = 2</p>
<p>7</p> <p> = Al.</p> <p>Total no. = 1</p>	<p>8</p> <p> = Fibre</p> <p>Total no. = 1</p>	<p>9</p> <p> = Al.</p> <p>Total no. = 1</p>	<p>10</p> <p> = Al.</p> <p>Total no. = 1</p>	<p>12</p> <p> = Al.</p> <p>Total no. = 1</p>	<p>13</p> <p> = Steel</p> <p>Total no. = 1</p>
<p>14</p> <p> = PTFE</p> <p>Total no. = 1</p>	<p>15</p> <p> = Steel</p> <p>Total no. = 1</p>	<p>16</p> <p> = PTFE</p> <p>Total no. = 1</p>	<p>17</p> <p> = PTFE</p> <p>Total no. = 1</p>		

Repair kit | Code number 027H5015
ICS, size 50 (1-3) / ICLX, size 50



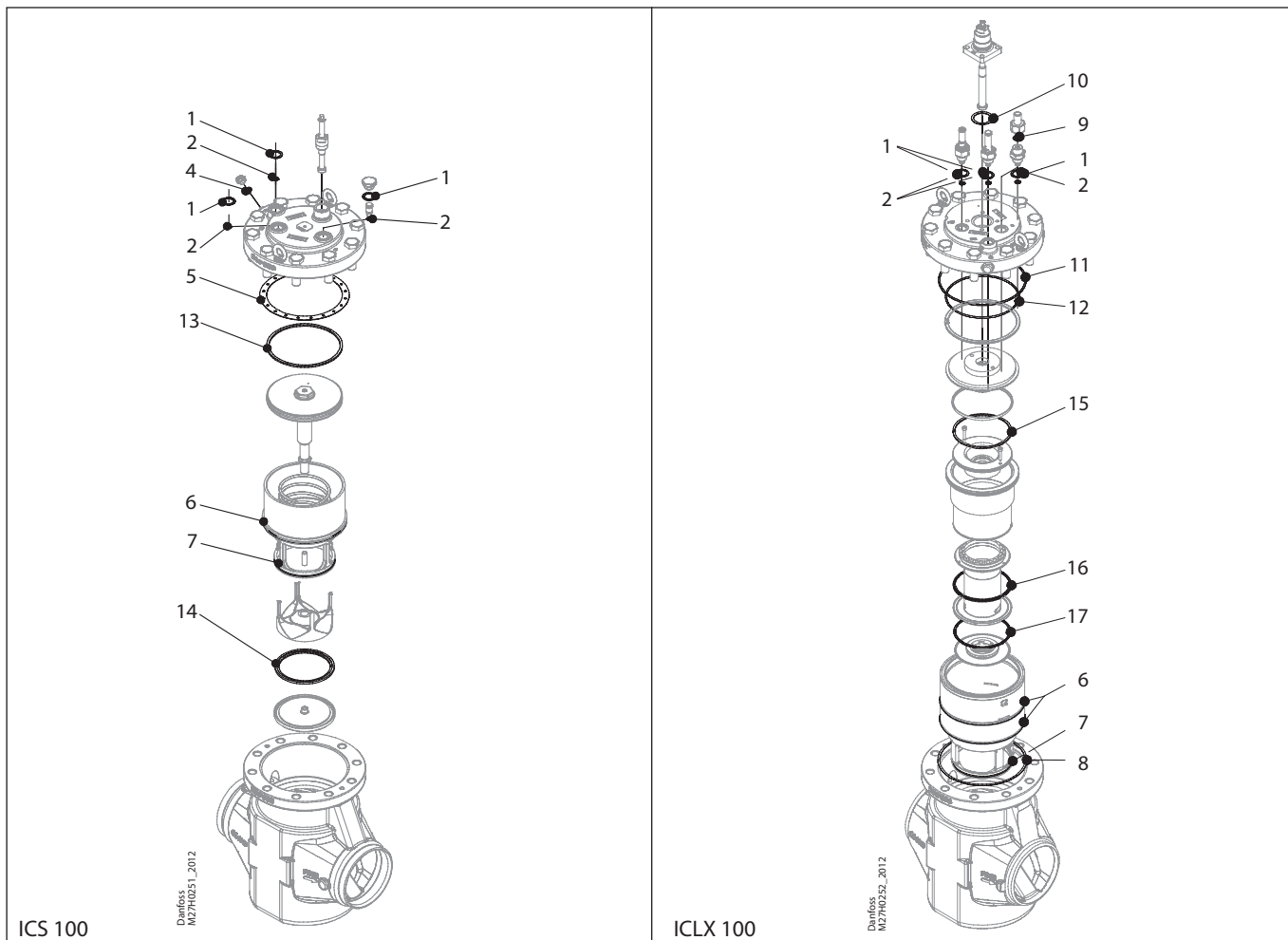
<p>1</p> <p> = Fibre</p> <p>$\varnothing 32.5 \text{ mm}$ $\varnothing 1.28''$</p> <p>Total no. = 3</p>	<p>2</p> <p> = Fibre</p> <p>$\varnothing 9 \text{ mm}$ $\varnothing 0.36''$</p> <p>Total no. = 3</p>	<p>3</p> <p> = Alu.</p> <p>$\varnothing 26 \text{ mm}$ $\varnothing 1.02''$</p> <p>Total no. = 1</p>	<p>4</p> <p> = Alu.</p> <p>$\varnothing 18 \text{ mm}$ $\varnothing 0.7''$</p> <p>Total no. = 1</p>	<p>5</p> <p> = Fibre</p> <p>$\varnothing 108 \text{ mm}$ $\varnothing 4.25''$</p> <p>Total no. = 1</p>	<p>6</p> <p> = Fibre</p> <p>$\varnothing 56 \text{ mm}$ $\varnothing 2.99''$</p> <p>Total no. = 1</p>
<p>7</p> <p> = Fibre</p> <p>$\varnothing 58 \text{ mm}$ $\varnothing 2.28''$</p> <p>Total no. = 1</p>	<p>8</p> <p> = Fibre</p> <p>$\varnothing 108 \text{ mm}$ $\varnothing 4.25''$</p> <p>Total no. = 1</p>	<p>9</p> <p> = Alu.</p> <p>$\varnothing 22 \text{ mm}$ $\varnothing 0.87''$</p> <p>Total no. = 1</p>	<p>10</p> <p> = Fibre</p> <p>$\varnothing 98 \text{ mm}$ $\varnothing 3.86''$</p> <p>Total no. = 1</p>	<p>11</p> <p> = Fibre</p> <p>$\varnothing 82 \text{ mm}$ $\varnothing 3.23''$</p> <p>Total no. = 1</p>	<p>12</p> <p> = Fibre</p> <p>$\varnothing 89 \text{ mm}$ $\varnothing 3.5''$</p> <p>Total no. = 1</p>
<p>13</p> <p> = Steel</p> <p>$\varnothing 80 \text{ mm}$ $\varnothing 3.15''$</p> <p>Total no. = 1</p>	<p>14</p> <p> = PTFE</p> <p>$\varnothing 56 \text{ mm}$ $\varnothing 2.2''$</p> <p>Total no. = 1</p>	<p>15</p> <p> = Steel</p> <p>$\varnothing 60 \text{ mm}$ $\varnothing 2.36''$</p> <p>Total no. = 1</p>	<p>16</p> <p> = PTFE</p> <p>$\varnothing 46 \text{ mm}$ $\varnothing 1.79''$</p> <p>Total no. = 1</p>	<p>17</p> <p> = PTFE</p> <p>$\varnothing 43 \text{ mm}$ $\varnothing 1.69''$</p> <p>Total no. = 1</p>	

Repair kit | Code number 027H6017
ICS, size 65/80 (1-3) / ICLX, size 65/80



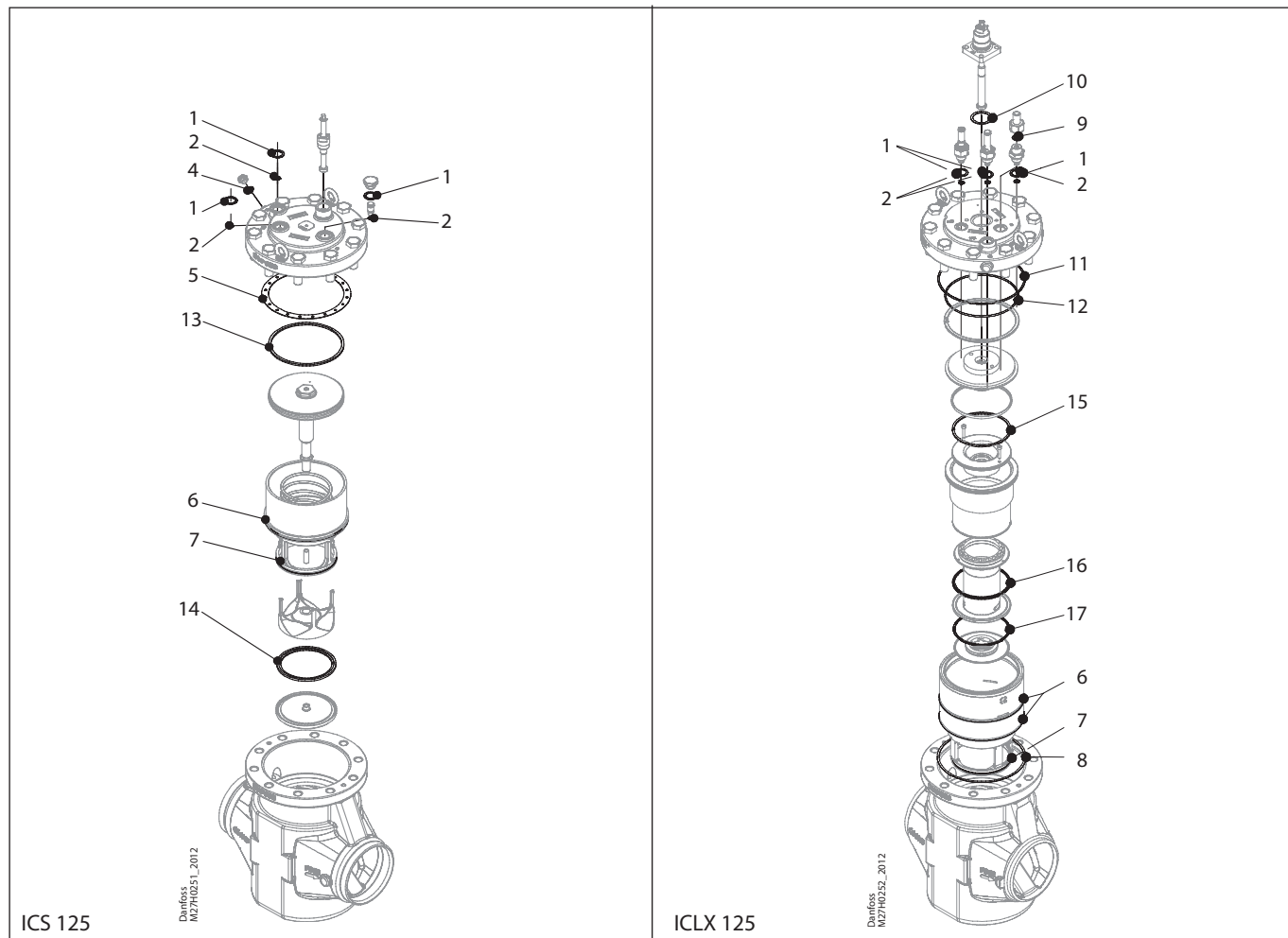
<p>1</p> <p> = Fibre</p> <p>Total no. = 3</p>	<p>2</p> <p>Total no. = 3</p>	<p>3</p> <p> = Alu.</p> <p>Total no. = 1</p>	<p>4</p> <p> = Alu.</p> <p>Total no. = 1</p>	<p>5</p> <p> = Fibre</p> <p>Total no. = 1</p>	<p>6</p> <p>Total no. = 2</p>
<p>7</p> <p>Total no. = 1</p>	<p>8</p> <p> = Fibre</p> <p>Total no. = 1</p>	<p>9</p> <p> = Alu.</p> <p>Total no. = 1</p>	<p>10</p> <p>Total no. = 1</p>	<p>12</p> <p>Total no. = 1</p>	<p>13</p> <p> = Steel</p> <p>Total no. = 1</p>
<p>14</p> <p> = PTFE</p> <p>Total no. = 1</p>	<p>15</p> <p> = Steel</p> <p>Total no. = 1</p>	<p>16</p> <p> = PTFE</p> <p>Total no. = 1</p>	<p>17</p> <p> = PTFE</p> <p>Total no. = 1</p>	<p>18</p> <p>Total no. = 1</p>	

Repair kit | Code number 027H7192
ICS, size 100 / ICLX, size 100



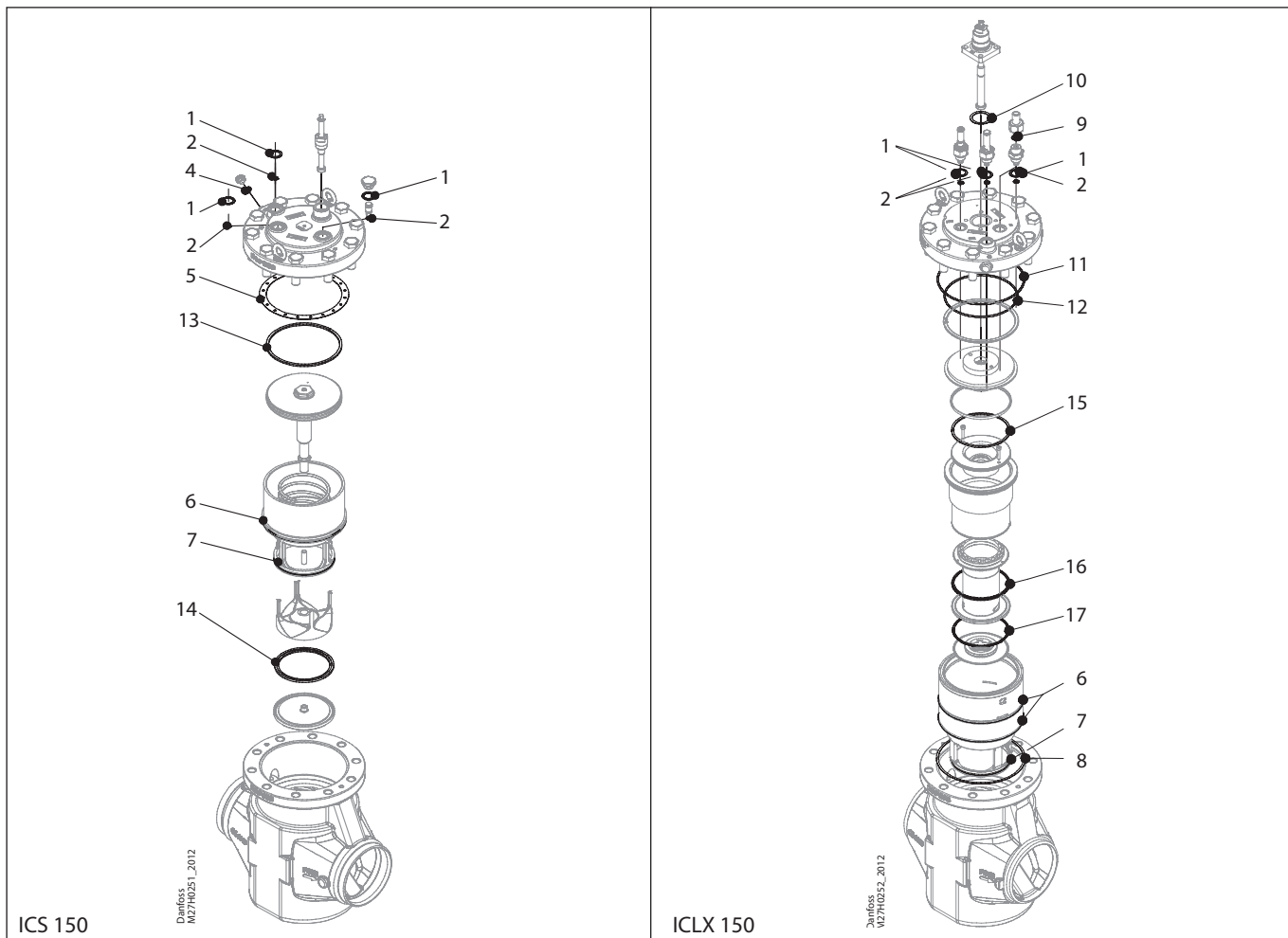
<p>1</p> <p>Total no. = 3</p>	<p>2</p> <p>Total no. = 3</p>	<p>4</p> <p>Total no. = 1</p>	<p>5</p> <p>Total no. = 1</p>	<p>6</p> <p>Total no. = 2</p>	<p>7</p> <p>Total no. = 1</p>
<p>8</p> <p>Total no. = 1</p>	<p>9</p> <p>Total no. = 1</p>	<p>10</p> <p>Total no. = 1</p>	<p>11</p> <p>Total no. = 1</p>	<p>12</p> <p>Total no. = 1</p>	<p>13</p> <p>Total no. = 1</p>
<p>14</p> <p>Total no. = 1</p>	<p>15</p> <p>Total no. = 1</p>	<p>16</p> <p>Total no. = 1</p>	<p>17</p> <p>Total no. = 1</p>		

Repair kit | Code number 027H7204
ICS, size 125 / ICLX, size 125



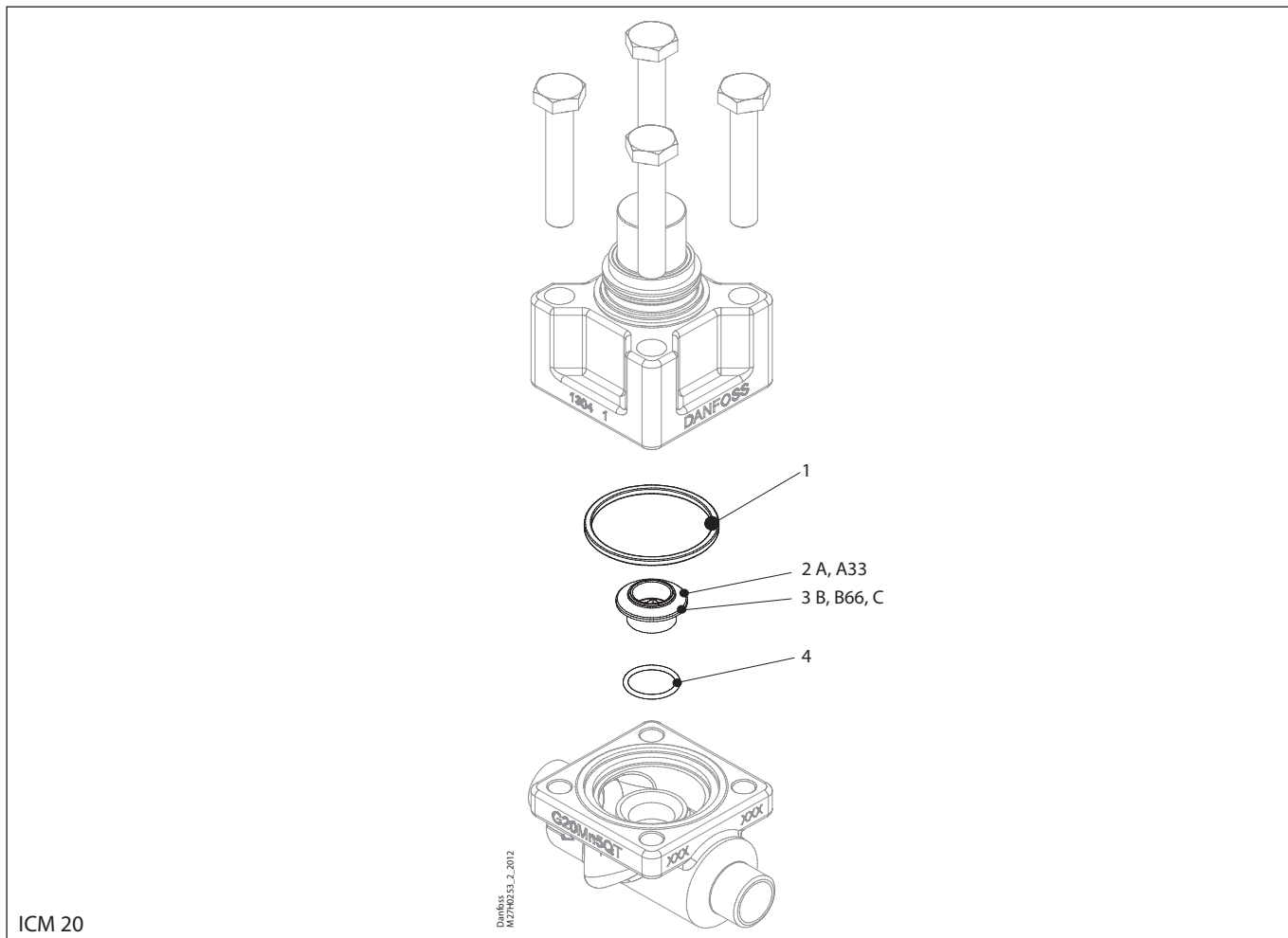
<p>1</p> <p>$\text{Ø}32.5 \text{ mm}$ $\text{Ø}1.28''$</p> <p>Total no. = 3</p>	<p>2</p> <p>$\text{Ø}9 \text{ mm}$ $\text{Ø}0.36''$</p> <p>Total no. = 3</p>	<p>4</p> <p>$\text{Ø}18 \text{ mm}$ $\text{Ø}0.7''$</p> <p>Total no. = 1</p>	<p>5</p> <p>$\text{Ø}178 \text{ mm}$ $\text{Ø}7.01''$</p> <p>Total no. = 1</p>	<p>6</p> <p>$\text{Ø}158 \text{ mm}$ $\text{Ø}6.22''$</p> <p>Total no. = 2</p>	<p>7</p> <p>$\text{Ø}114 \text{ mm}$ $\text{Ø}4.49''$</p> <p>Total no. = 1</p>
<p>8</p> <p>$\text{Ø}178 \text{ mm}$ $\text{Ø}7.01''$</p> <p>Total no. = 1</p>	<p>9</p> <p>$\text{Ø}22 \text{ mm}$ $\text{Ø}0.87''$</p> <p>Total no. = 1</p>	<p>10</p> <p>$\text{Ø}54 \text{ mm}$ $\text{Ø}2.13''$</p> <p>Total no. = 1</p>	<p>11</p> <p>$\text{Ø}133 \text{ mm}$ $\text{Ø}5.24''$</p> <p>Total no. = 1</p>	<p>12</p> <p>$\text{Ø}165 \text{ mm}$ $\text{Ø}6.5''$</p> <p>Total no. = 1</p>	<p>13</p> <p>$\text{Ø}145 \text{ mm}$ $\text{Ø}5.71''$</p> <p>Total no. = 1</p>
<p>14</p> <p>$\text{Ø}112 \text{ mm}$ $\text{Ø}4.39''$</p> <p>Total no. = 1</p>	<p>15</p> <p>$\text{Ø}120 \text{ mm}$ $\text{Ø}4.72''$</p> <p>Total no. = 1</p>	<p>16</p> <p>$\text{Ø}114 \text{ mm}$ $\text{Ø}4.49''$</p> <p>Total no. = 1</p>	<p>17</p> <p>$\text{Ø}110 \text{ mm}$ $\text{Ø}4.33''$</p> <p>Total no. = 1</p>		

Repair kit | Code number 027H7197
ICS, size 150 / ICLX, size 150



<p>1</p> <p>Total no. = 3</p>	<p>2</p> <p>Total no. = 3</p>	<p>4</p> <p>Total no. = 1</p>	<p>5</p> <p>Total no. = 1</p>	<p>6</p> <p>Total no. = 2</p>	<p>7</p> <p>Total no. = 1</p>
<p>8</p> <p>Total no. = 1</p>	<p>9</p> <p>Total no. = 1</p>	<p>10</p> <p>Total no. = 1</p>	<p>11</p> <p>Total no. = 1</p>	<p>12</p> <p>Total no. = 1</p>	<p>13</p> <p>Total no. = 1</p>
<p>14</p> <p>Total no. = 1</p>	<p>15</p> <p>Total no. = 1</p>	<p>16</p> <p>Total no. = 1</p>	<p>17</p> <p>Total no. = 1</p>		

Repair kit | Code number 027H1190
 ICM, size 20 (20A / 20A-33 / 20B / 20B-66 / 20C)

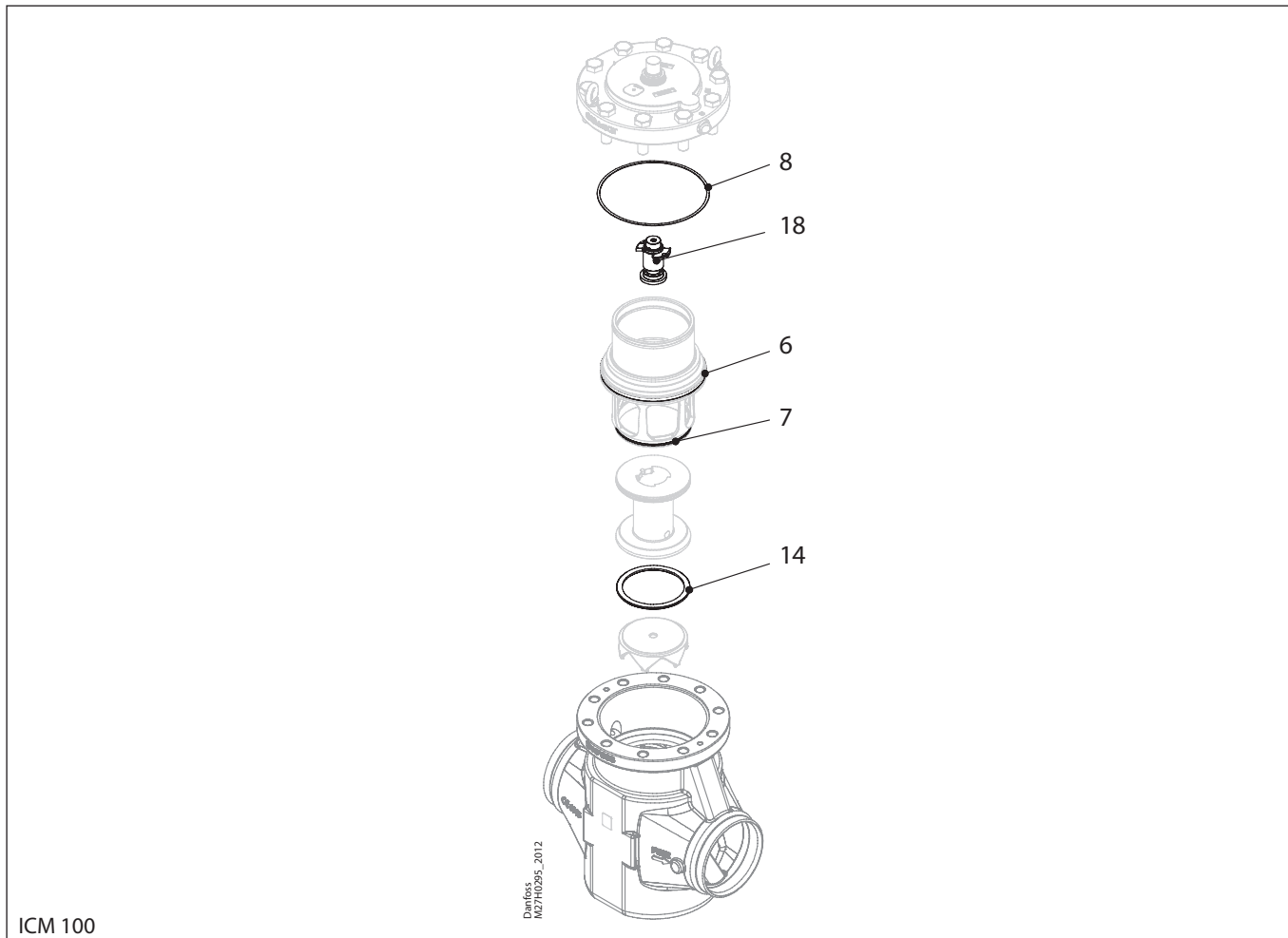


ICM 20

Danfoss
M27H0253_2_2012

<p>1</p> <p> = Rubber</p> <p>Total no. = 1</p>	<p>2</p> <p>Total no. = 1</p>	<p>3</p> <p>Total no. = 1</p>	<p>4</p> <p>Total no. = 1</p>	
---	--------------------------------------	--------------------------------------	--------------------------------------	--

Repair kit | Code number 027H7135³⁾ / 027H7479⁴⁾
 ICM, size 100



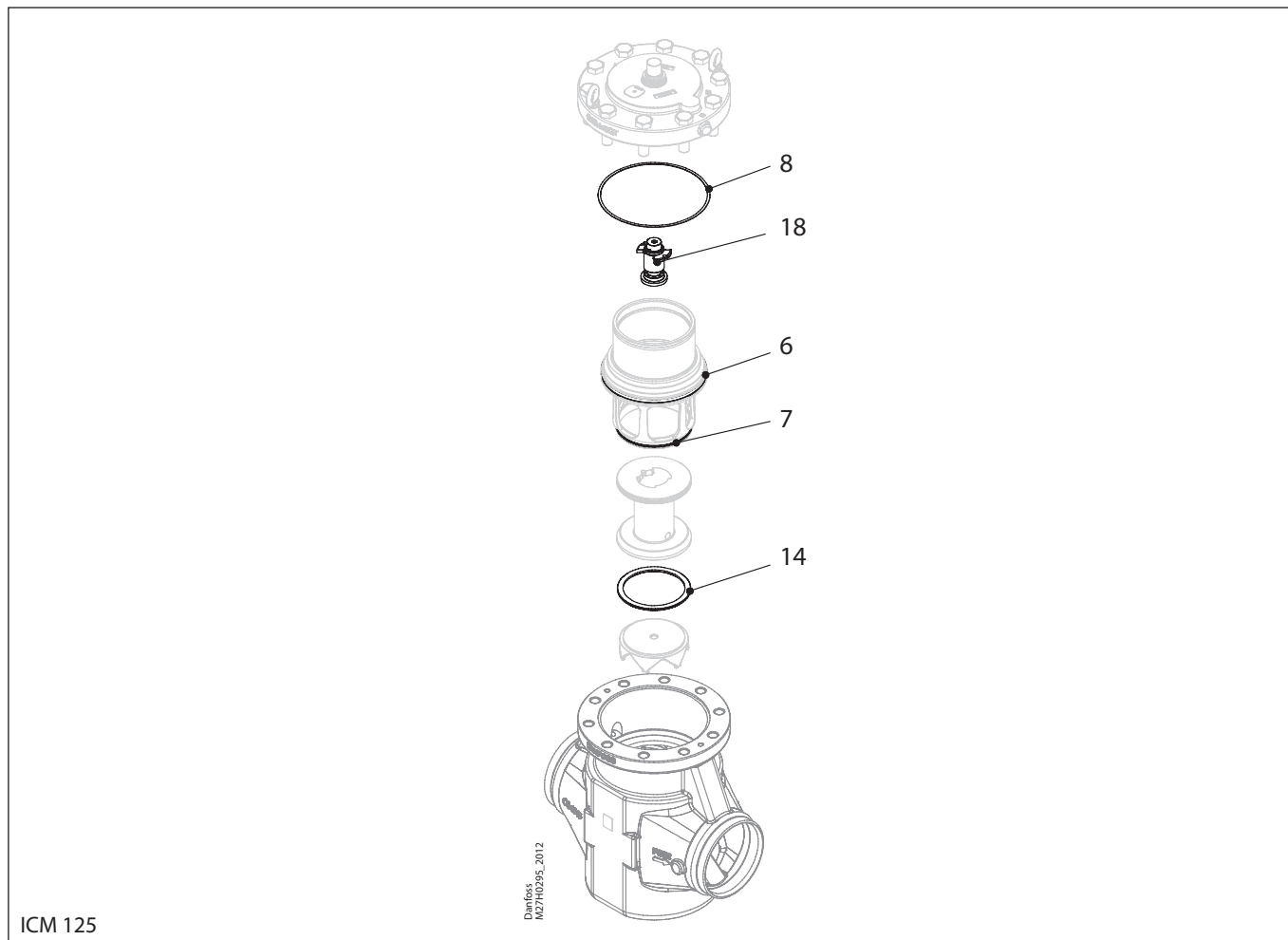
ICM 100

<p>6</p> <p>Total no. = 1</p>	<p>7</p> <p>Total no. = 1</p>	<p>8</p> <p>Total no. = 1</p>	<p>14</p> <p>Total no. = 1</p>	<p>18</p> <p>Total no. = 1</p>
--------------------------------------	--------------------------------------	--------------------------------------	---------------------------------------	---------------------------------------

³⁾ Standard with cast iron nut

⁴⁾ With peek nut (standard until Week 49, 2021)

Repair kit | Code number 027H7155³⁾ / 027H7480⁴⁾
 ICM, size 125



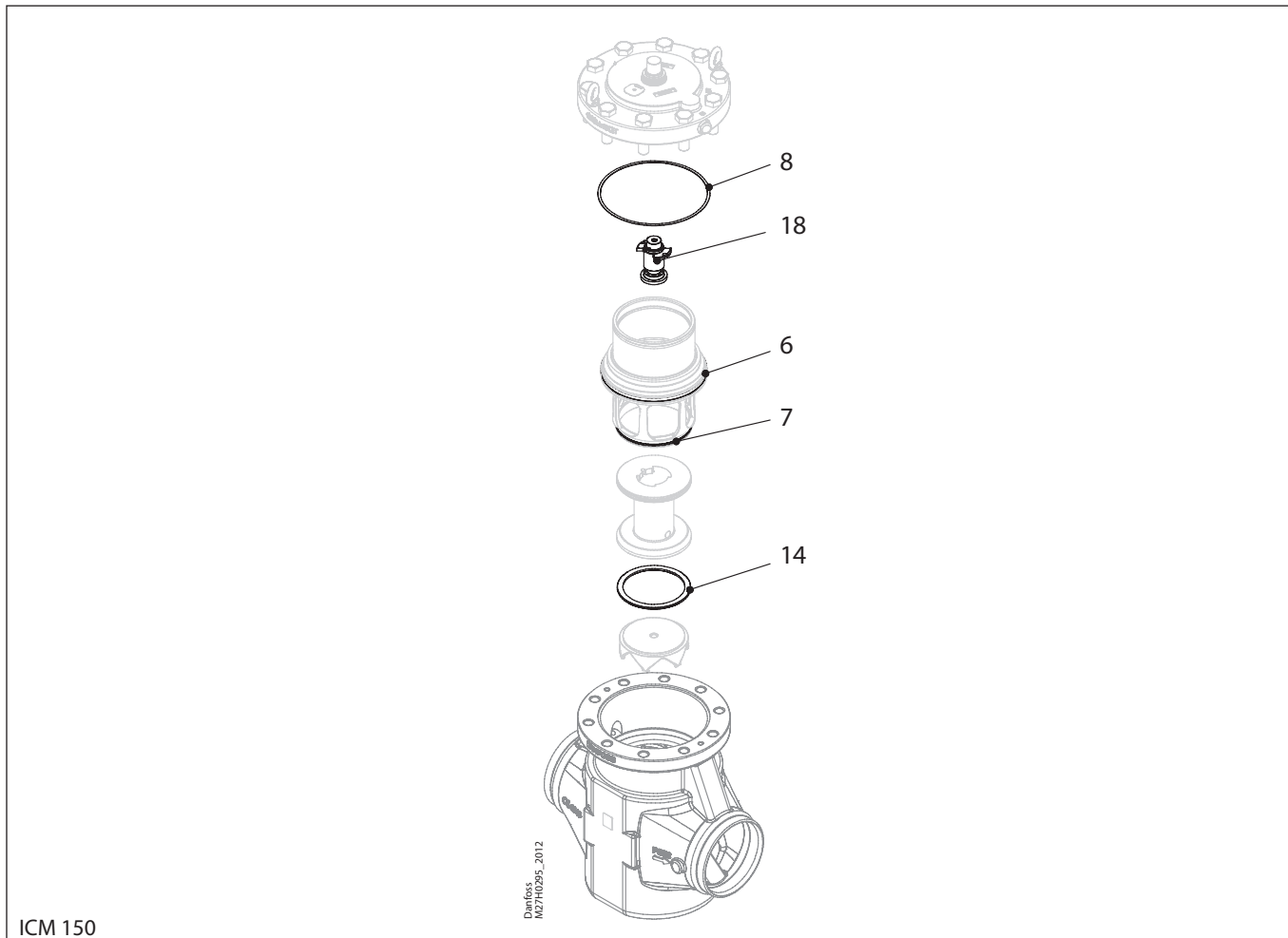
ICM 125

<p>6</p> <p>Ø158 mm Ø6.22"</p> <p>Total no. = 1</p>	<p>7</p> <p>Ø114 mm Ø4.49"</p> <p>Total no. = 1</p>	<p>8</p> <p>Ø178 mm Ø7.01"</p> <p>Total no. = 1</p>	<p>14</p> <p>Ø107 mm Ø4.21"</p> <p>Total no. = 1</p>	<p>18</p> <p>Total no. = 1</p>
--	--	--	---	---------------------------------------

³⁾ Standard with cast iron nut

⁴⁾ With peek nut (standard until Week 49, 2021)

Repair kit | Code number 027H7175³⁾ / 027H7481⁴⁾
 ICM, size 150



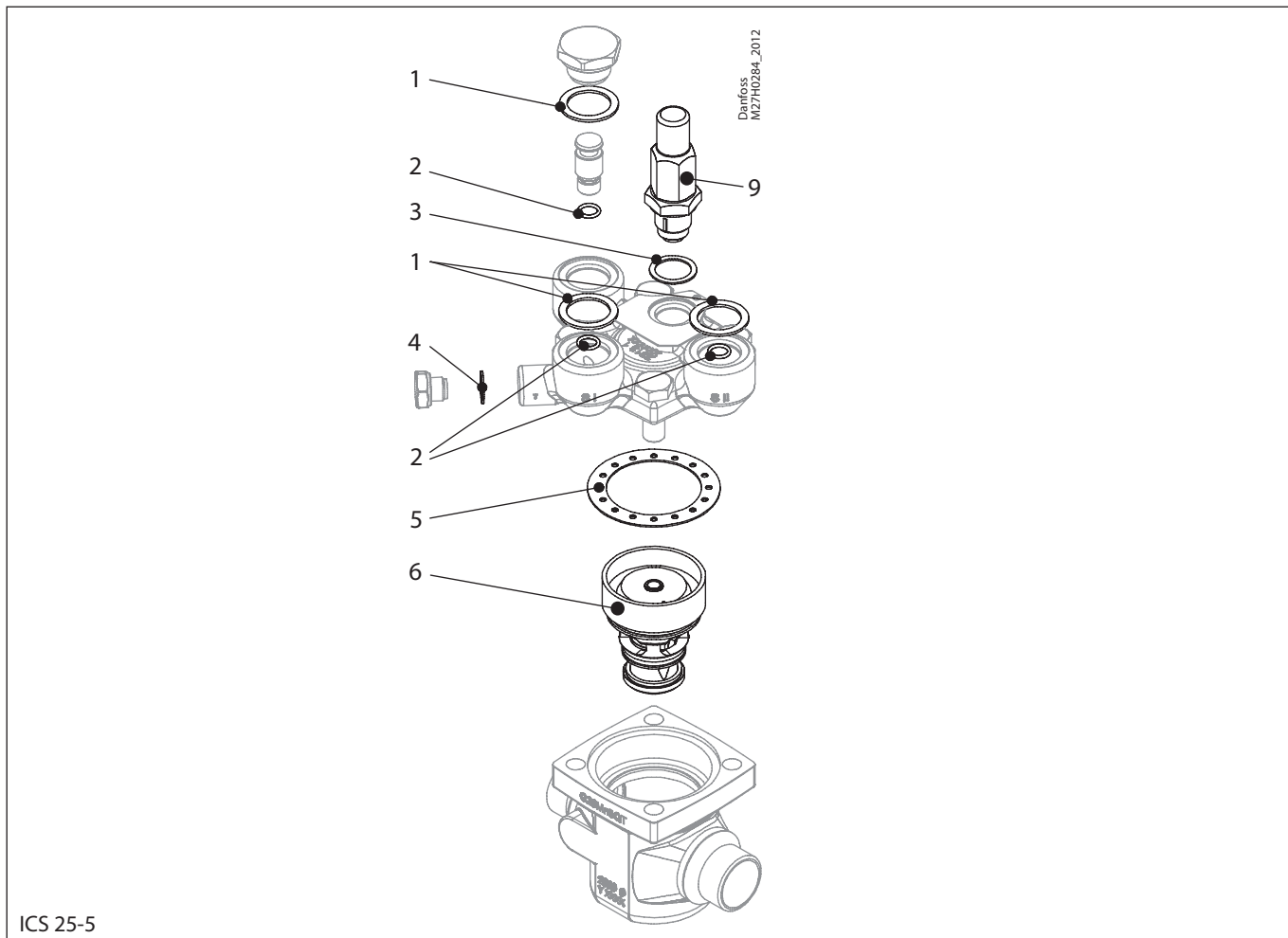
ICM 150

<p>6</p> <p>Total no. = 1</p>	<p>7</p> <p>Total no. = 1</p>	<p>8</p> <p>▬ = Fibre</p> <p>Total no. = 1</p>	<p>14</p> <p>▬ = PTFE</p> <p>Total no. = 1</p>	<p>18</p> <p>Total no. = 1</p>
--------------------------------------	--------------------------------------	---	---	---------------------------------------

³⁾ Standard with cast iron nut

⁴⁾ With peek nut (standard until Week 49, 2021)

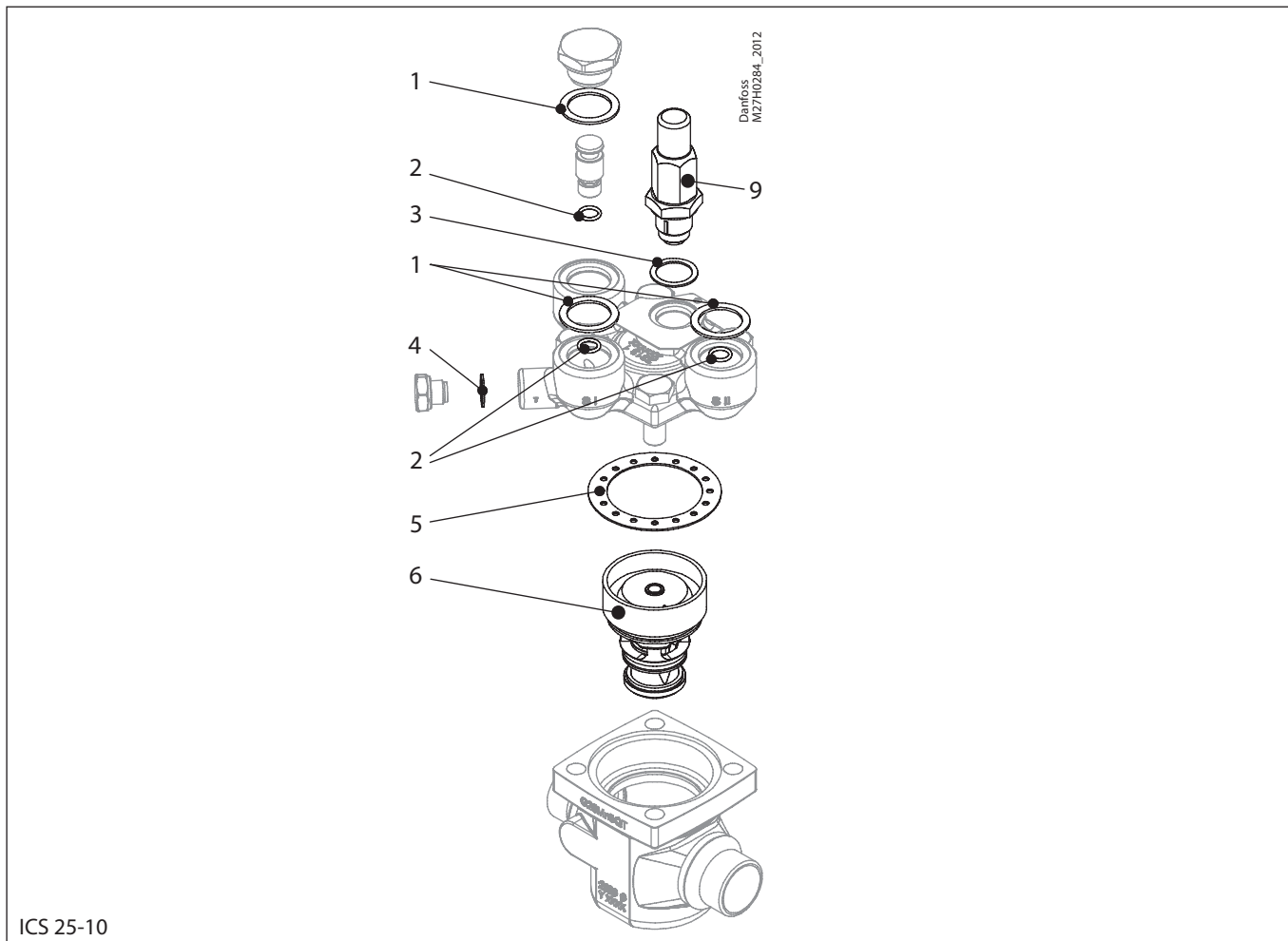
Overhaul kit | Code number 027H2225
ICS, size 25-5



ICS 25-5

<p>1</p> <p> = Fibre</p> <p>Total no. = 3</p>	<p>2</p> <p> = Fibre</p> <p>Total no. = 3</p>	<p>3</p> <p> = Alu.</p> <p>Total no. = 1</p>	<p>4</p> <p> = Alu.</p> <p>Total no. = 1</p>	<p>5</p> <p> = Fibre</p> <p>Total no. = 1</p>
<p>6</p> <p>Total no. = 1</p>		<p>9</p> <p>Total no. = 1</p>		

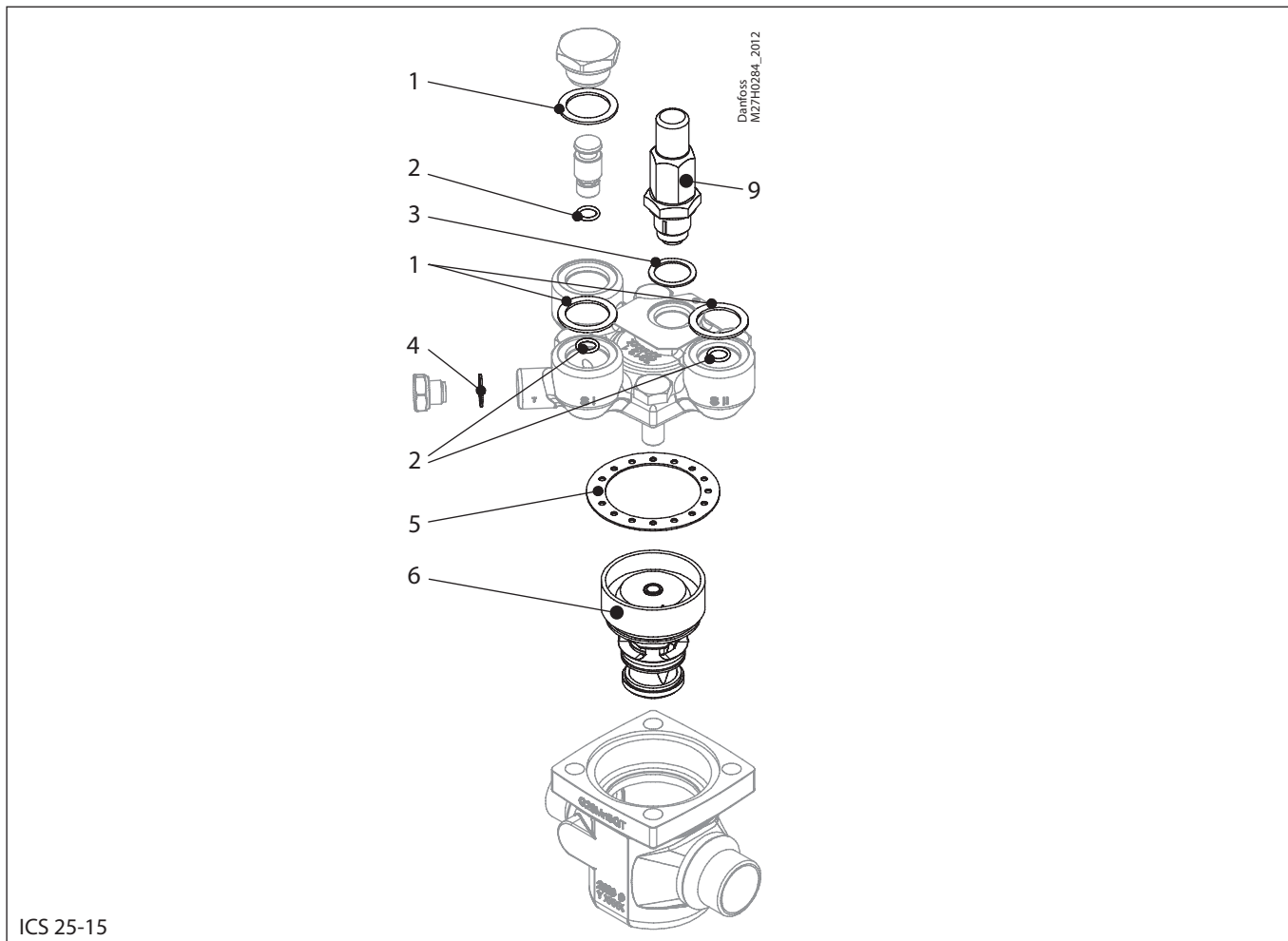
Overhaul kit | Code number 027H2138
ICS, size 25-10



ICS 25-10

<p>1</p> <p> = Fibre</p> <p>$\varnothing 32.5 \text{ mm}$ $\varnothing 1.28''$</p> <p>Total no. = 3</p>	<p>2</p> <p>$\varnothing 9 \text{ mm}$ $\varnothing 0.36''$</p> <p>Total no. = 3</p>	<p>3</p> <p> = Alu.</p> <p>$\varnothing 26 \text{ mm}$ $\varnothing 1.02''$</p> <p>Total no. = 1</p>	<p>4</p> <p> = Alu.</p> <p>$\varnothing 18 \text{ mm}$ $\varnothing 0.7''$</p> <p>Total no. = 1</p>	<p>5</p> <p> = Fibre</p> <p>$\varnothing 73 \text{ mm}$ $\varnothing 2.87''$</p> <p>Total no. = 1</p>
<p>6</p> <p>$\varnothing 57 \text{ mm}$ $\varnothing 2.24''$</p> <p>Total no. = 1</p>		<p>9</p> <p>Total no. = 1</p>		

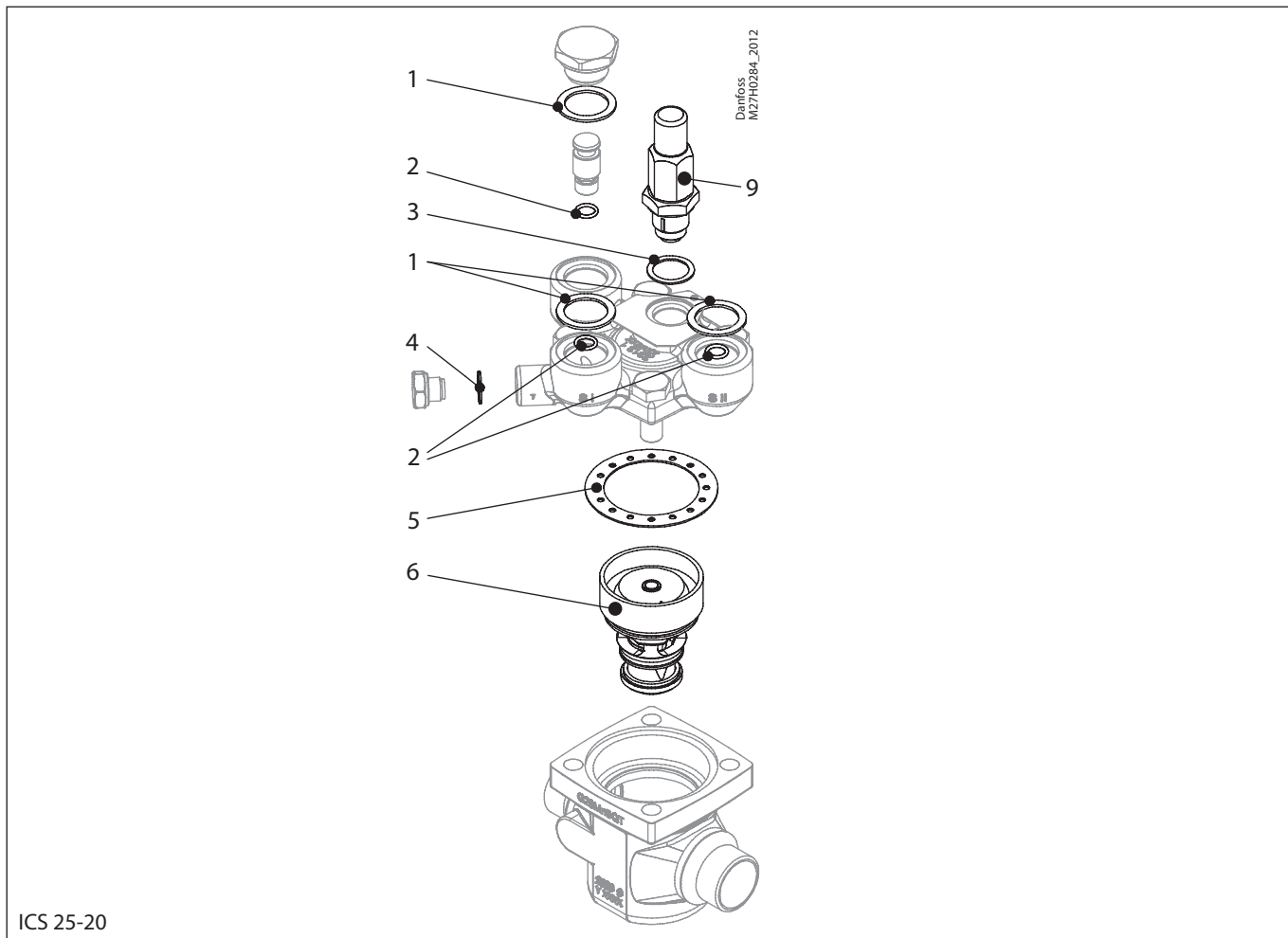
Overhaul kit | Code number 027H3019
ICS, size 25-15



ICS 25-15

<p>1</p> <p> = Fibre</p> <p>Total no. = 3</p>	<p>2</p> <p> = Al.</p> <p>Total no. = 3</p>	<p>3</p> <p> = Al.</p> <p>Total no. = 1</p>	<p>4</p> <p> = Al.</p> <p>Total no. = 1</p>	<p>5</p> <p> = Fibre</p> <p>Total no. = 1</p>
<p>6</p> <p>Total no. = 1</p>		<p>9</p> <p>Total no. = 1</p>		

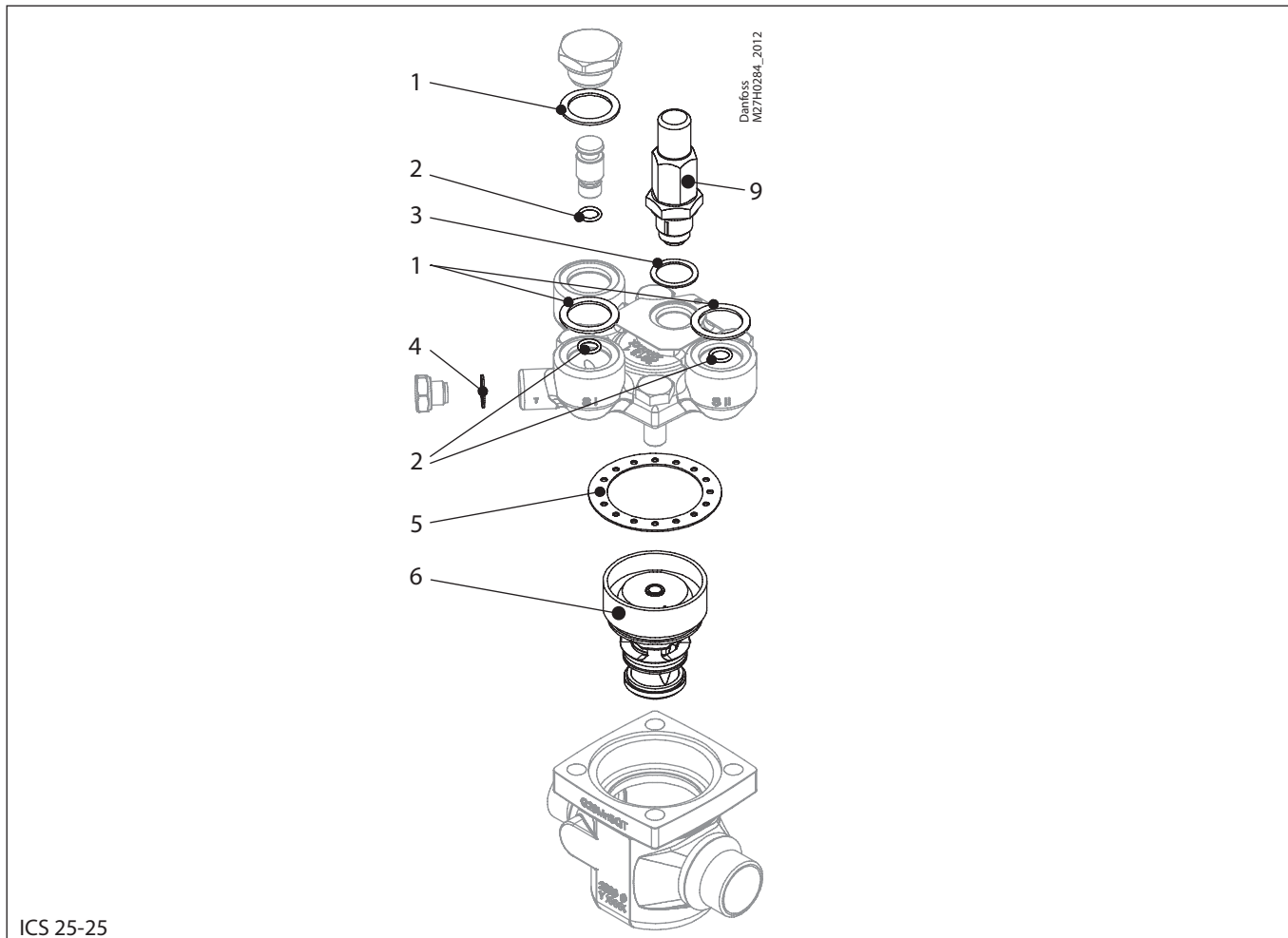
Overhaul kit | Code number 027H3043
ICS, size 25-20



ICS 25-20

<p>1</p> <p> = Fibre</p> <p>Total no. = 3</p>	<p>2</p> <p>Total no. = 3</p>	<p>3</p> <p> = Alu.</p> <p>Total no. = 1</p>	<p>4</p> <p> = Alu.</p> <p>Total no. = 1</p>	<p>5</p> <p> = Fibre</p> <p>Total no. = 1</p>
<p>6</p> <p>Total no. = 1</p>		<p>9</p> <p>Total no. = 1</p>		

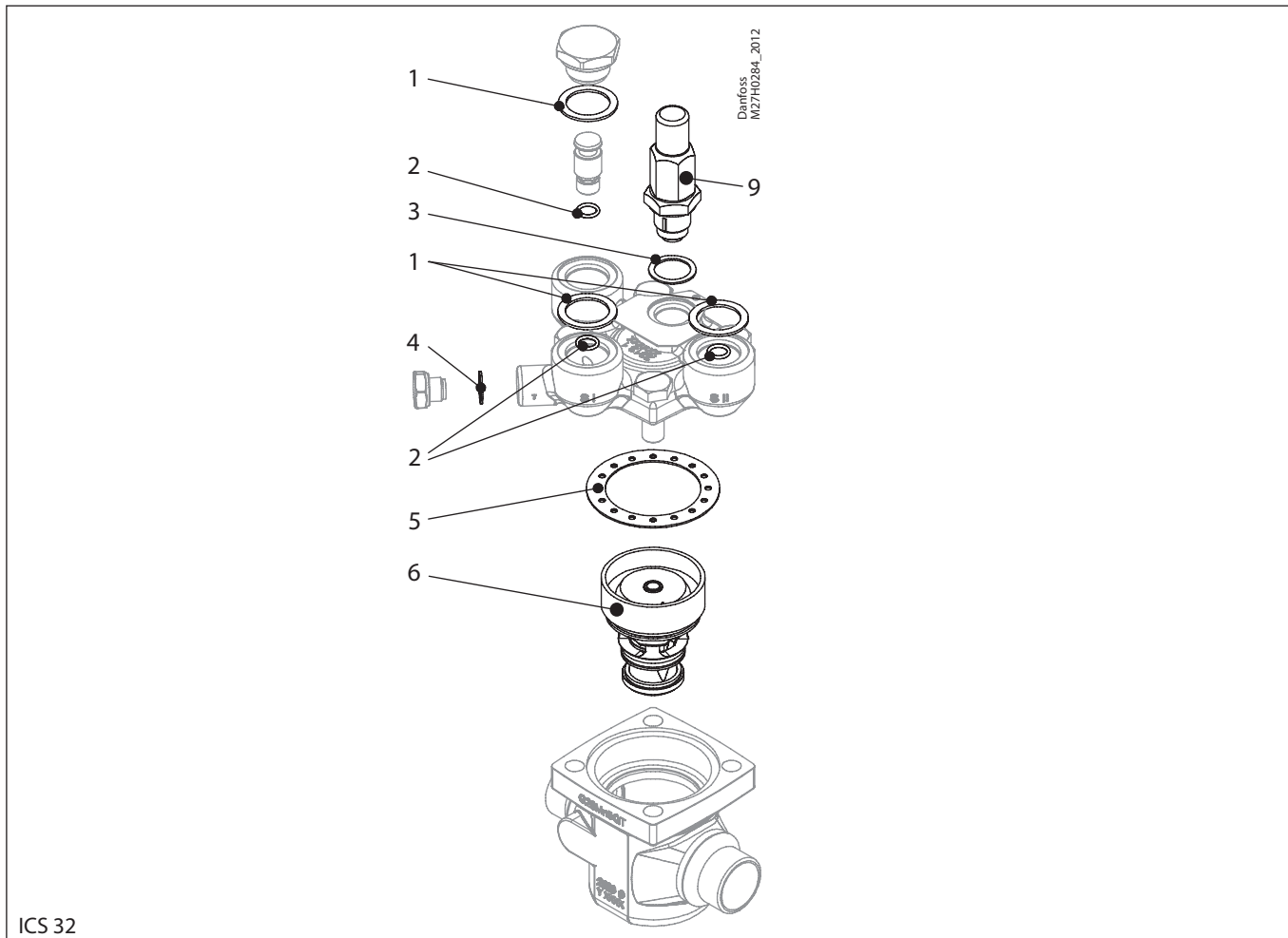
Overhaul kit | Code number 027H3044
ICS, size 25-25



ICS 25-25

<p>1</p> <p> = Fibre</p> <p>Total no. = 3</p>	<p>2</p> <p>Total no. = 3</p>	<p>3</p> <p> = Alu.</p> <p>Total no. = 1</p>	<p>4</p> <p> = Alu.</p> <p>Total no. = 1</p>	<p>5</p> <p> = Fibre</p> <p>Total no. = 1</p>
<p>6</p> <p>Total no. = 1</p>		<p>9</p> <p>Total no. = 1</p>		

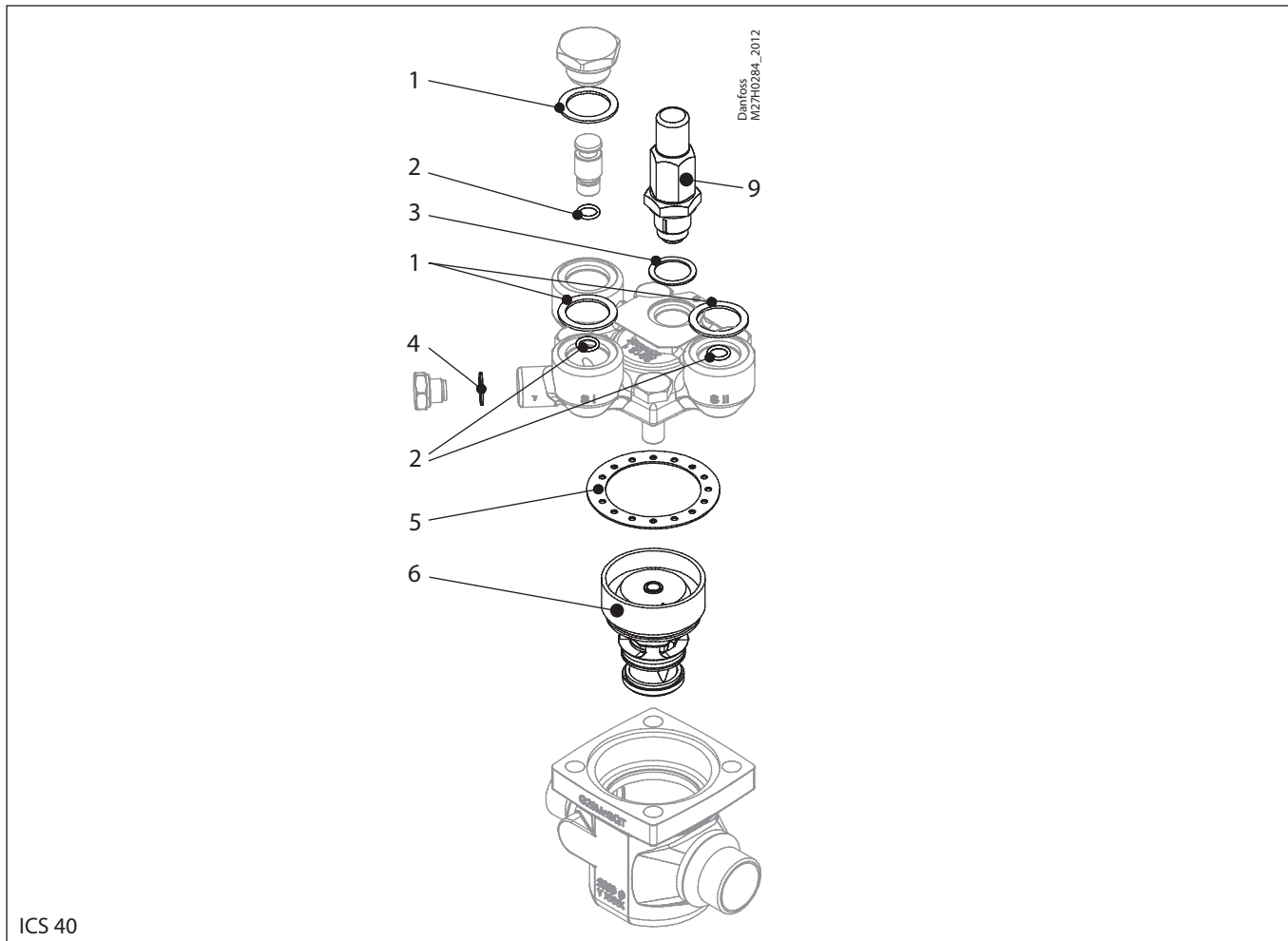
Overhaul kit | Code number 027H3018
ICS, size 32



ICS 32

<p>1</p> <p> = Fibre</p> <p>Total no. = 3</p>	<p>2</p> <p></p> <p>Total no. = 3</p>	<p>3</p> <p> = Alu.</p> <p>Total no. = 1</p>	<p>4</p> <p> = Alu.</p> <p>Total no. = 1</p>	<p>5</p> <p> = Fibre</p> <p>Total no. = 1</p>
<p>6</p> <p>Total no. = 1</p>	<p>9</p> <p>Total no. = 1</p>			

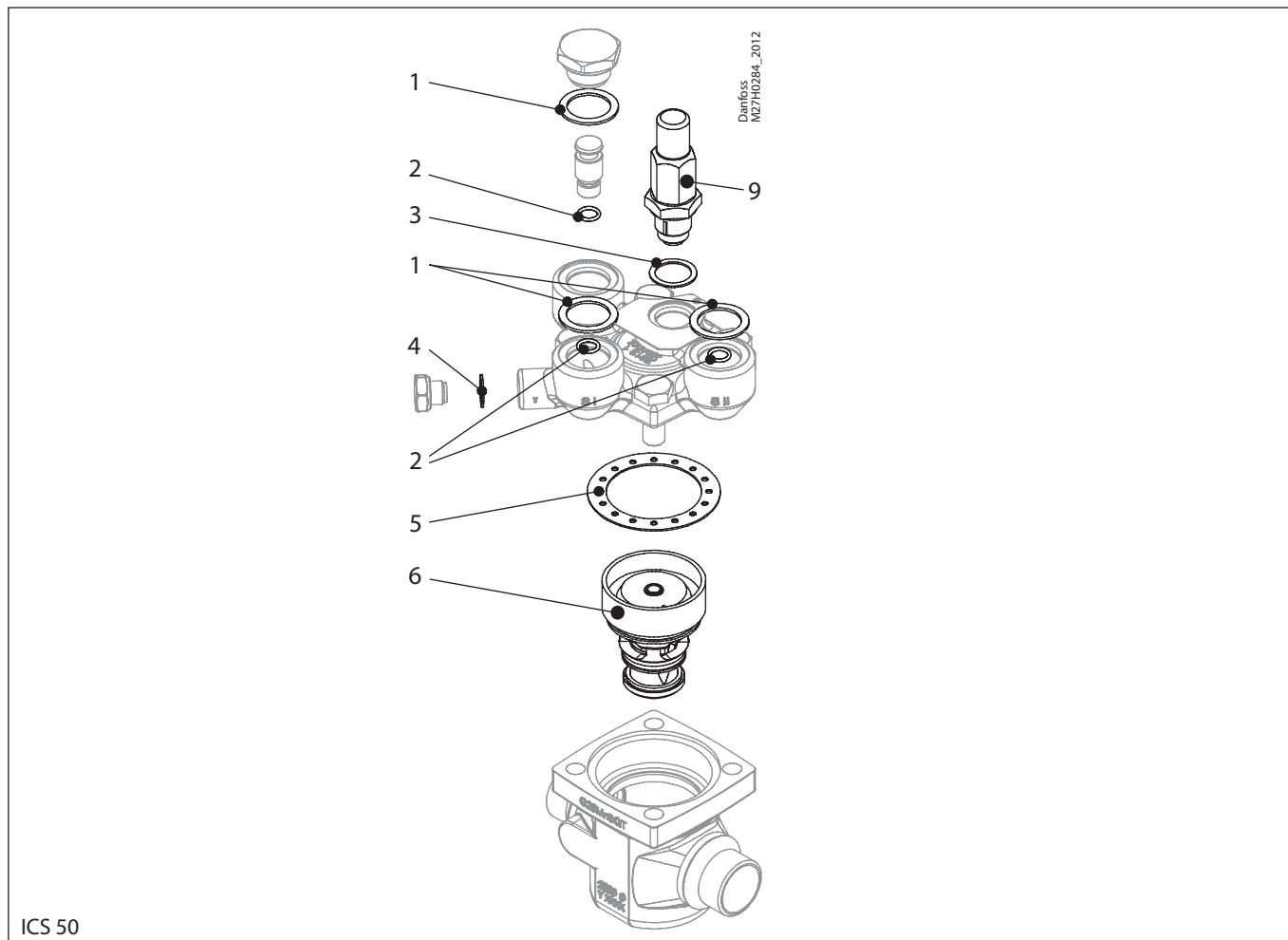
Overhaul kit | Code number 027H4016
ICS, size 40



ICS 40

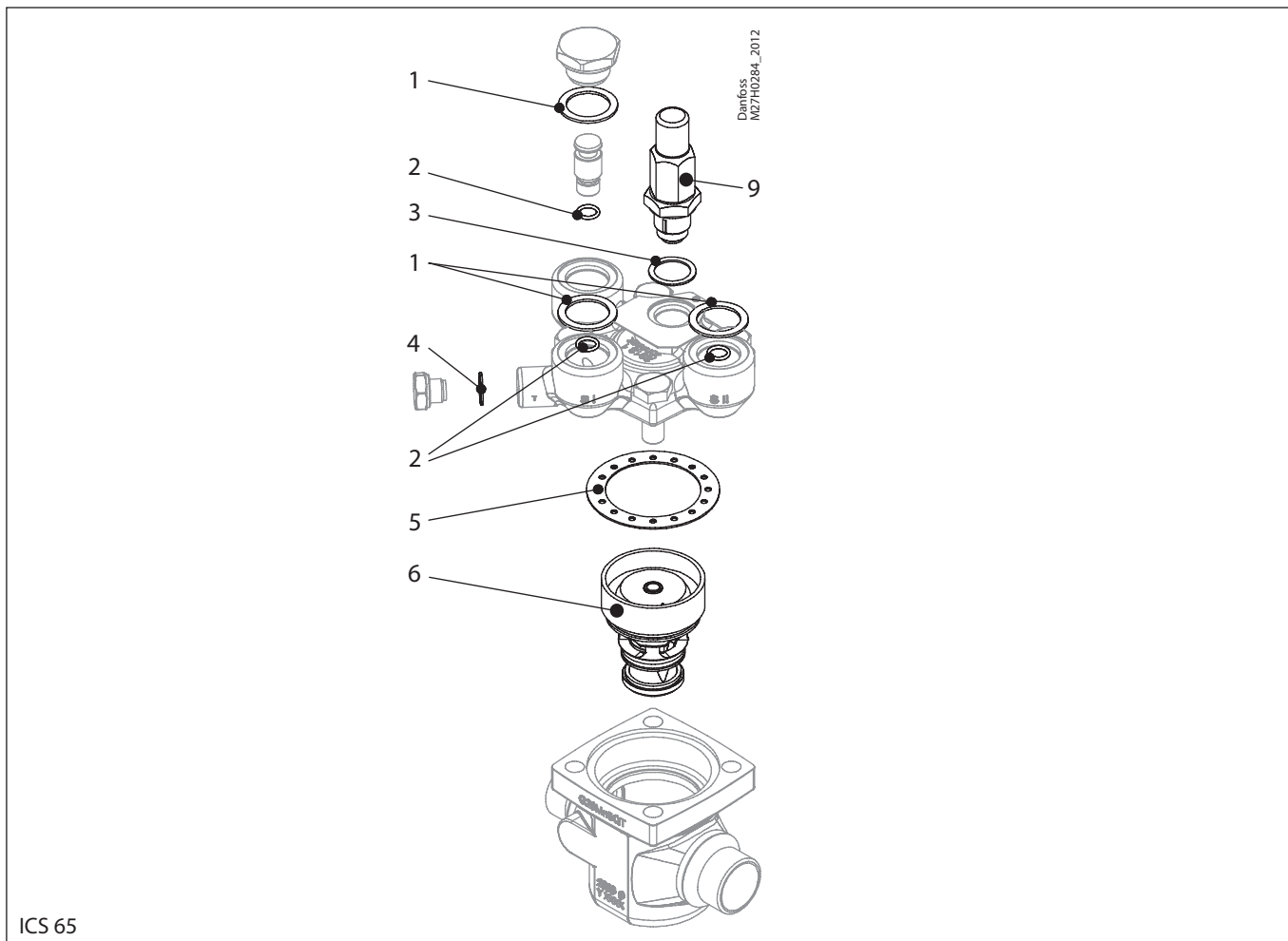
<p>1</p> <p> = Fibre</p> <p>Total no. = 3</p>	<p>2</p> <p>Total no. = 3</p>	<p>3</p> <p> = Alu.</p> <p>Total no. = 1</p>	<p>4</p> <p> = Alu.</p> <p>Total no. = 1</p>	<p>5</p> <p> = Fibre</p> <p>Total no. = 1</p>
<p>6</p> <p>Total no. = 1</p>	<p>9</p> <p>Total no. = 1</p>			

Overhaul kit | Code number 027H5016
ICS, size 50



<p>1</p> <p> = Fibre</p> <p>Total no. = 3</p>	<p>2</p> <p> = O-ring</p> <p>Total no. = 3</p>	<p>3</p> <p> = Alu.</p> <p>Total no. = 1</p>	<p>4</p> <p> = Alu.</p> <p>Total no. = 1</p>	<p>5</p> <p> = Fibre</p> <p>Total no. = 1</p>
<p>6</p> <p>Total no. = 1</p>	<p>9</p> <p>Total no. = 1</p>			

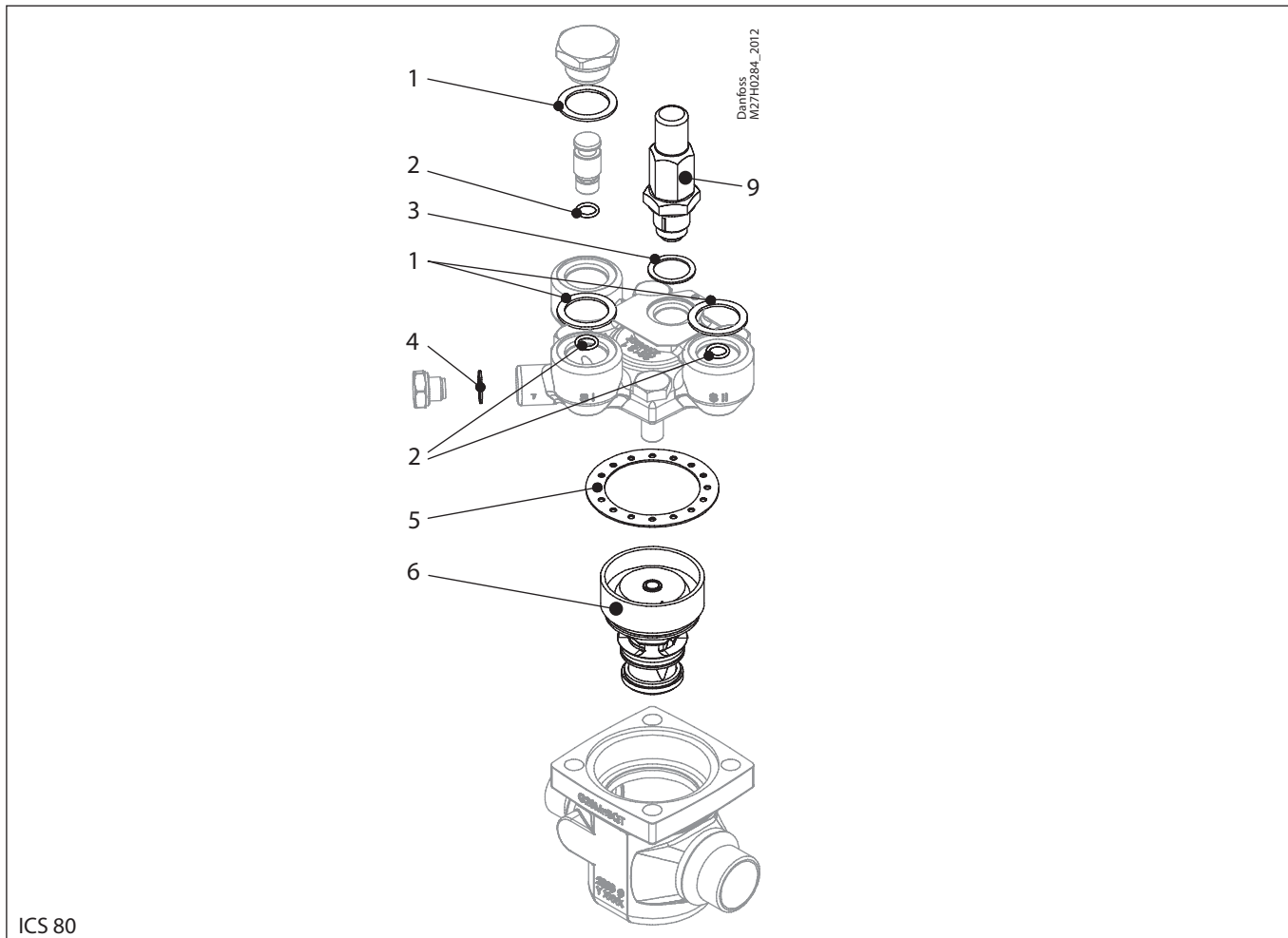
Overhaul kit | Code number 027H6018
ICS, size 65



ICS 65

<p>1</p> <p> = Fibre</p> <p>Total no. = 3</p>	<p>2</p> <p>Dimensions: outer diameter 9 mm, inner diameter 0.36 inches.</p> <p>Total no. = 3</p>	<p>3</p> <p> = Alu.</p> <p>Total no. = 1</p>	<p>4</p> <p> = Alu.</p> <p>Total no. = 1</p>	<p>5</p> <p> = Fibre</p> <p>Total no. = 1</p>
<p>6</p> <p>Total no. = 1</p>	<p>9</p> <p>Total no. = 1</p>			

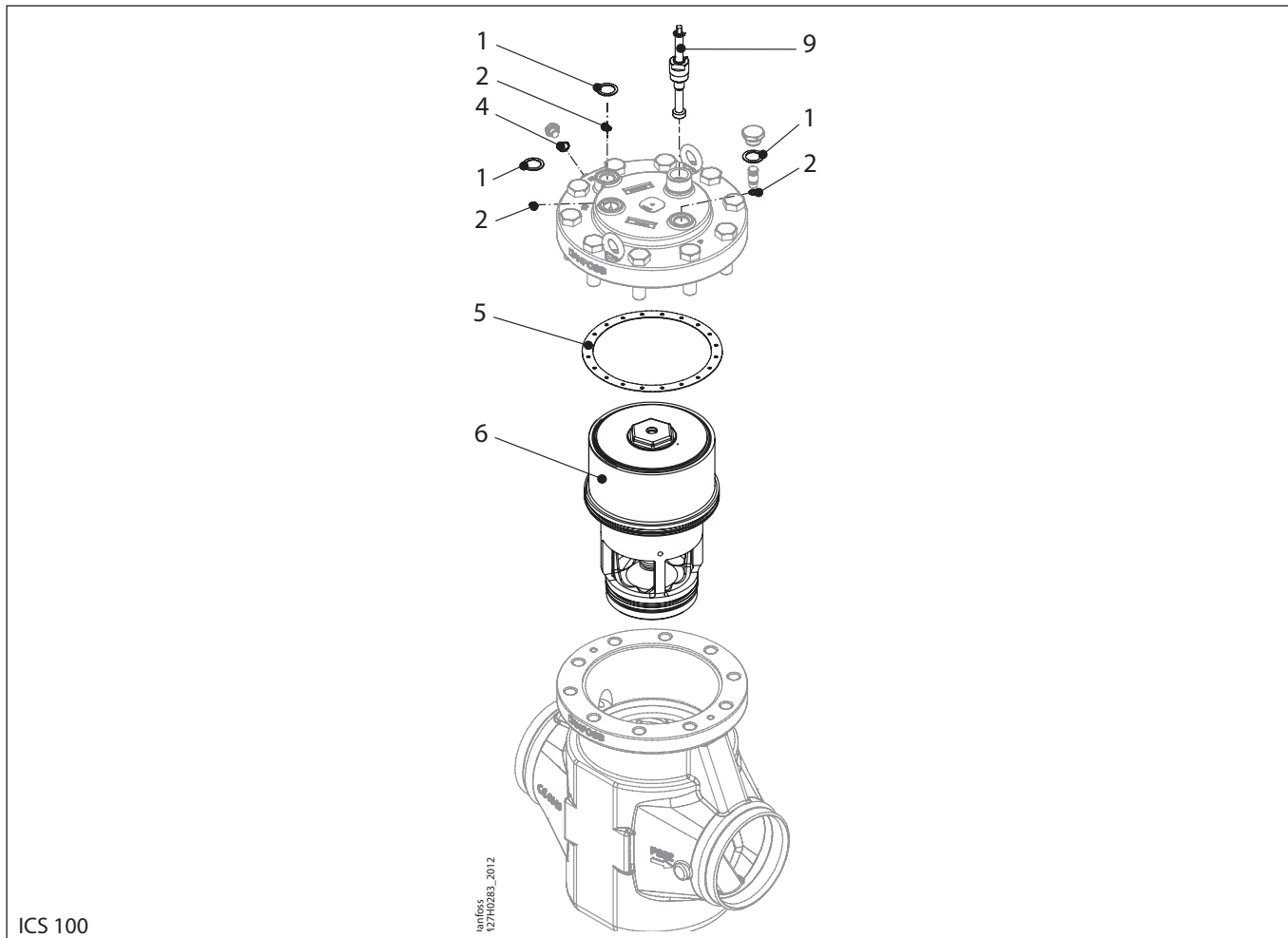
Overhaul kit | Code number 027H6028
ICS, size 80



ICS 80

<p>1</p> <p> = Fibre</p> <p>Ø32.5 mm Ø28 mm</p> <p>Total no. = 3</p>	<p>2</p> <p> = Alu.</p> <p>Ø9 mm Ø3.6 mm</p> <p>Total no. = 3</p>	<p>3</p> <p> = Fibre</p> <p>Ø26 mm Ø10.2 mm</p> <p>Total no. = 1</p>	<p>4</p> <p> = Alu.</p> <p>Ø18 mm Ø7 mm</p> <p>Total no. = 1</p>	<p>5</p> <p> = Fibre</p> <p>Ø125 mm Ø92 mm</p> <p>Total no. = 1</p>
<p>6</p> <p>Ø109 mm Ø42.9 mm</p> <p>Total no. = 1</p>	<p>9</p> <p>Total no. = 1</p>			

Overhaul kit | Code number 027H7193
ICS, size 100

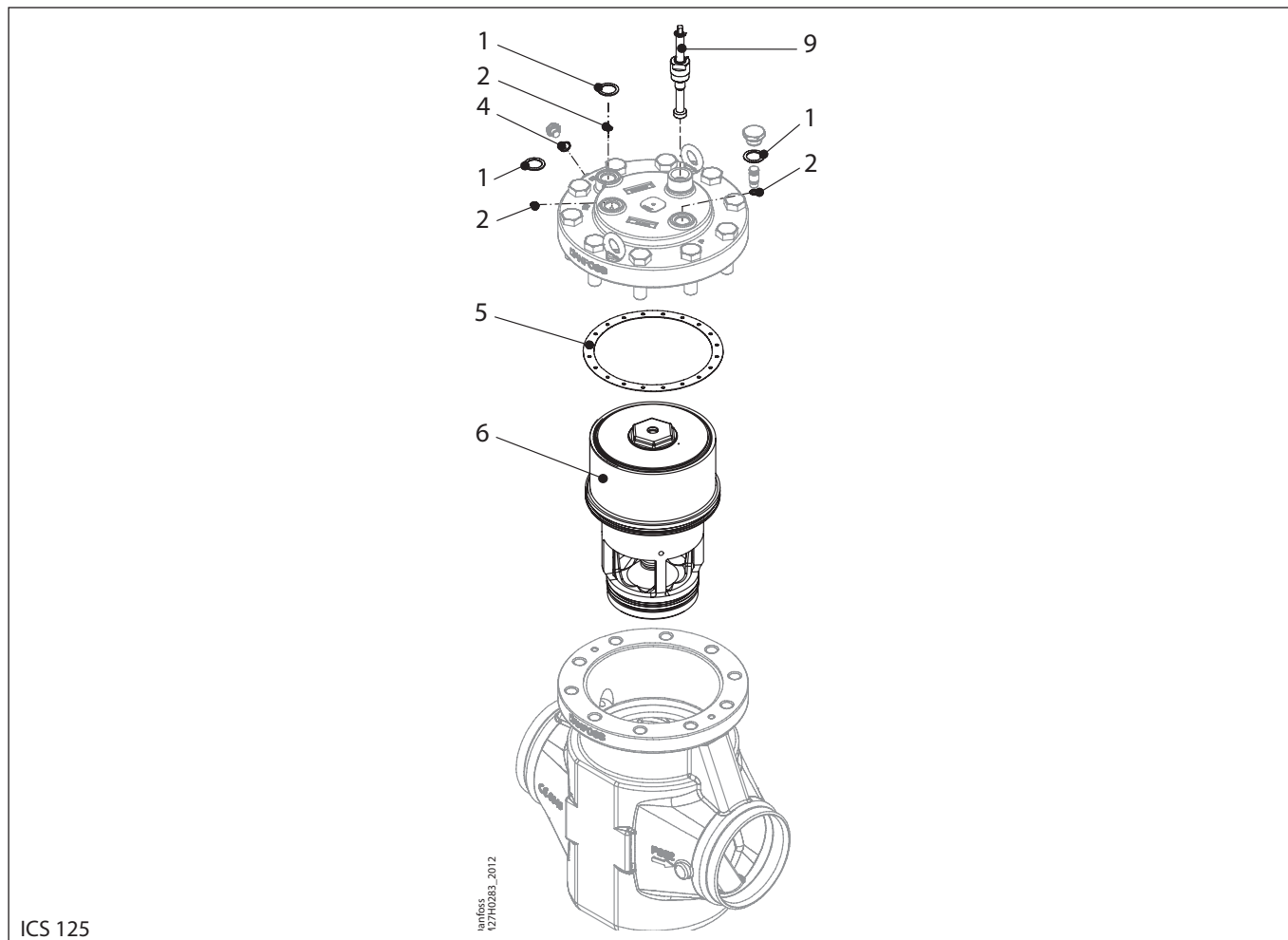


ICS 100

<p>1</p> <p> = Fibre</p> <p>Ø32.5 mm Ø1.28"</p> <p>Total no. = 3</p>	<p>2</p> <p>Ø9 mm Ø0.36"</p> <p>Total no. = 3</p>	<p>4</p> <p> = Alu.</p> <p>Ø18 mm Ø0.7"</p> <p>Total no. = 1</p>	<p>5</p> <p> = Fibre</p> <p>Ø150 mm Ø5.91"</p> <p>Total no. = 1</p>	<p>6</p> <p>Ø130 mm Ø5.12"</p> <p>Total no. = 1</p>
<p>9</p> <p>Total no. = 1</p>				

For a complete replacement of the ICS top cover including gasket; please see page 61.

Overhaul kit | Code number 027H7195
ICS, size 125

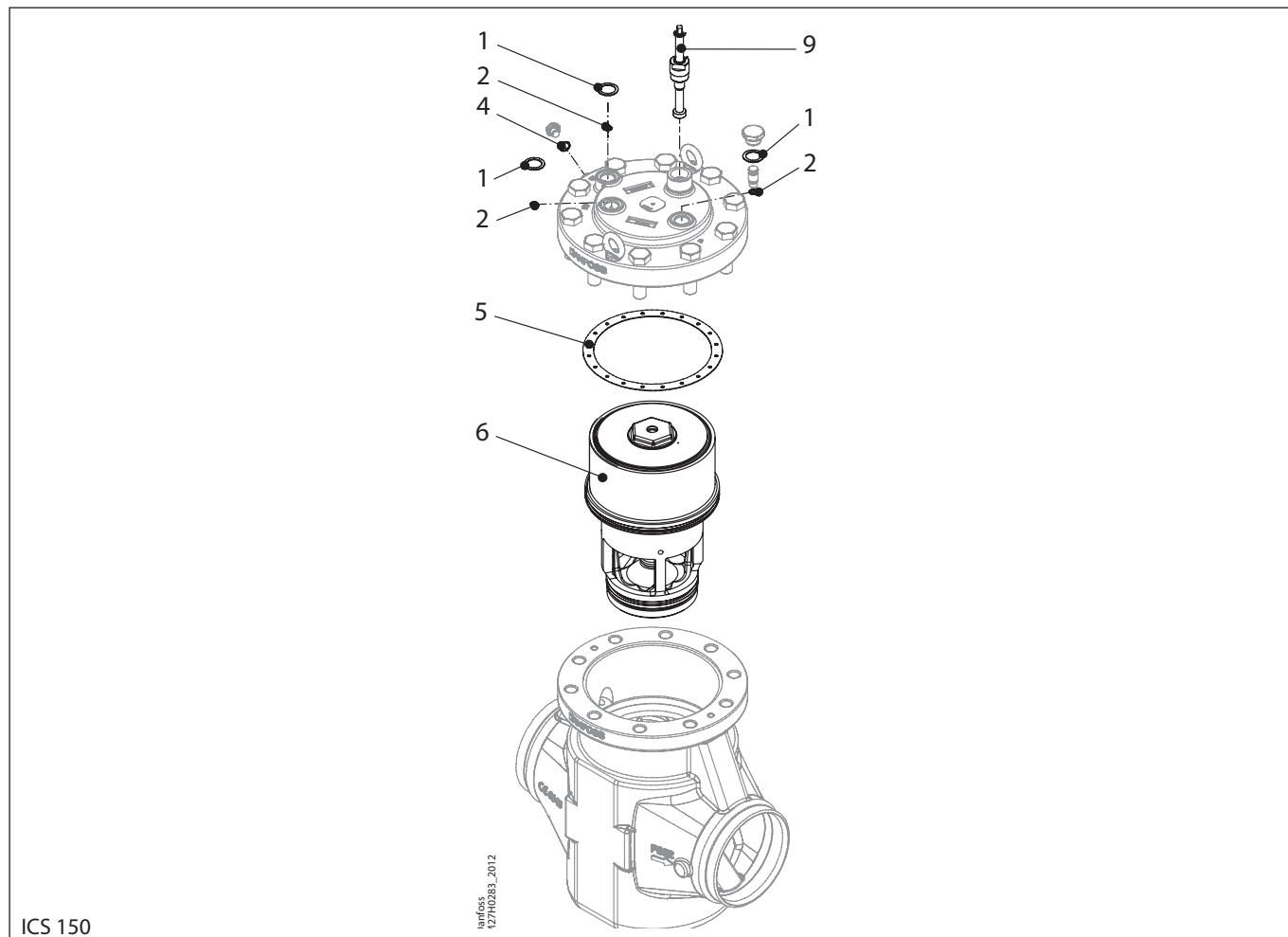


ICS 125

<p>1</p> <p> = Fibre</p> <p>Total no. = 3</p>	<p>2</p> <p>Total no. = 3</p>	<p>4</p> <p> = Alu.</p> <p>Total no. = 1</p>	<p>5</p> <p> = Fibre</p> <p>Total no. = 1</p>	<p>6</p> <p>Total no. = 1</p>
<p>9</p> <p>Total no. = 1</p>				

For a complete replacement of the ICS top cover including gasket; please see page 61.

Overhaul kit | Code number 027H7198
ICS, size 150

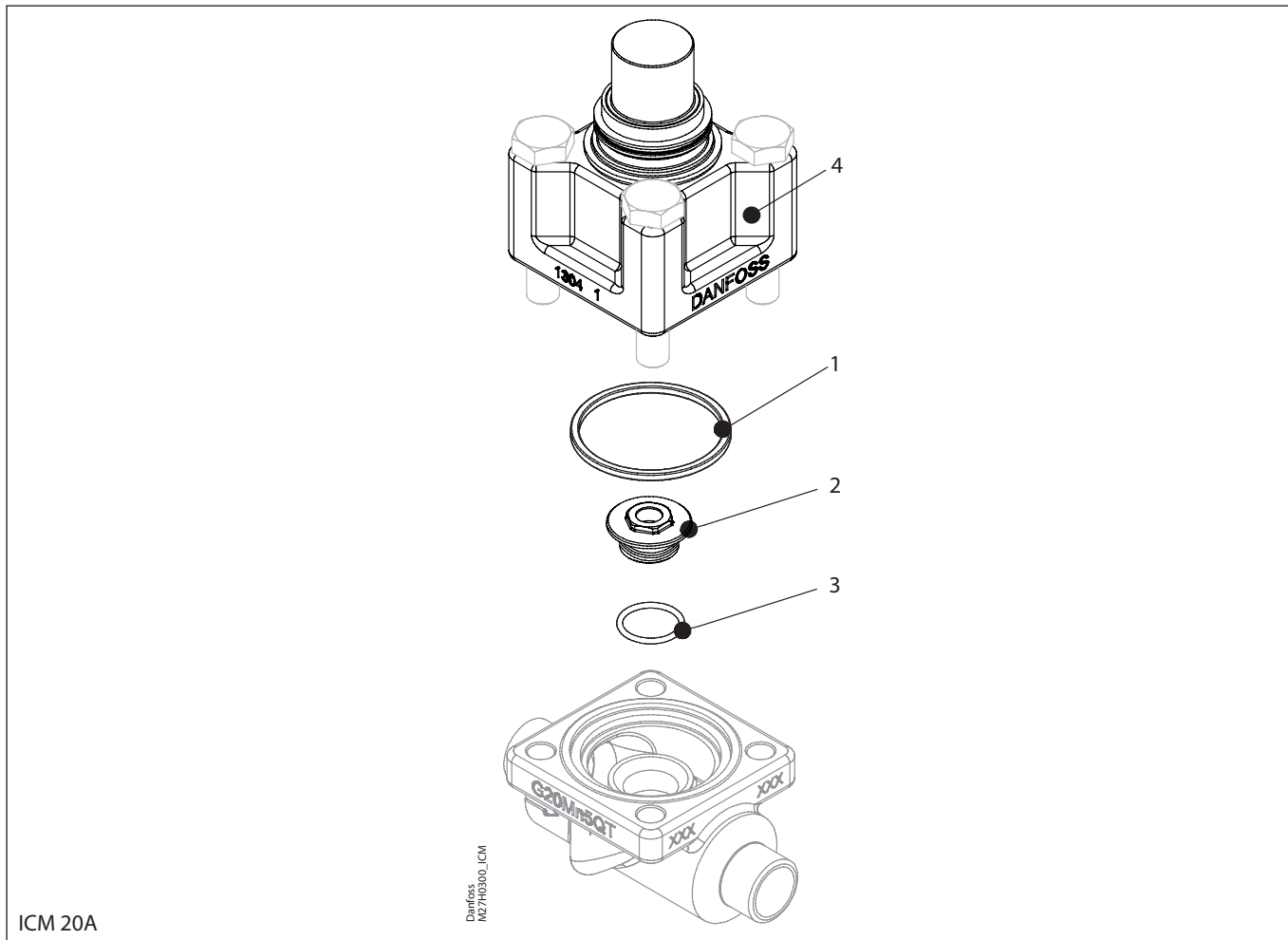


ICS 150

<p>1</p> <p> = Fibre</p> <p>Total no. = 3</p>	<p>2</p> <p>Total no. = 3</p>	<p>4</p> <p> = Alu.</p> <p>Total no. = 1</p>	<p>5</p> <p> = Fibre</p> <p>Total no. = 1</p>	<p>6</p> <p>Total no. = 1</p>
<p>9</p> <p>Total no. = 1</p>				

For a complete replacement of the ICS top cover including gasket; please see page 61.

Overhaul kit | Code number 027H1180
 ICM, size 20A

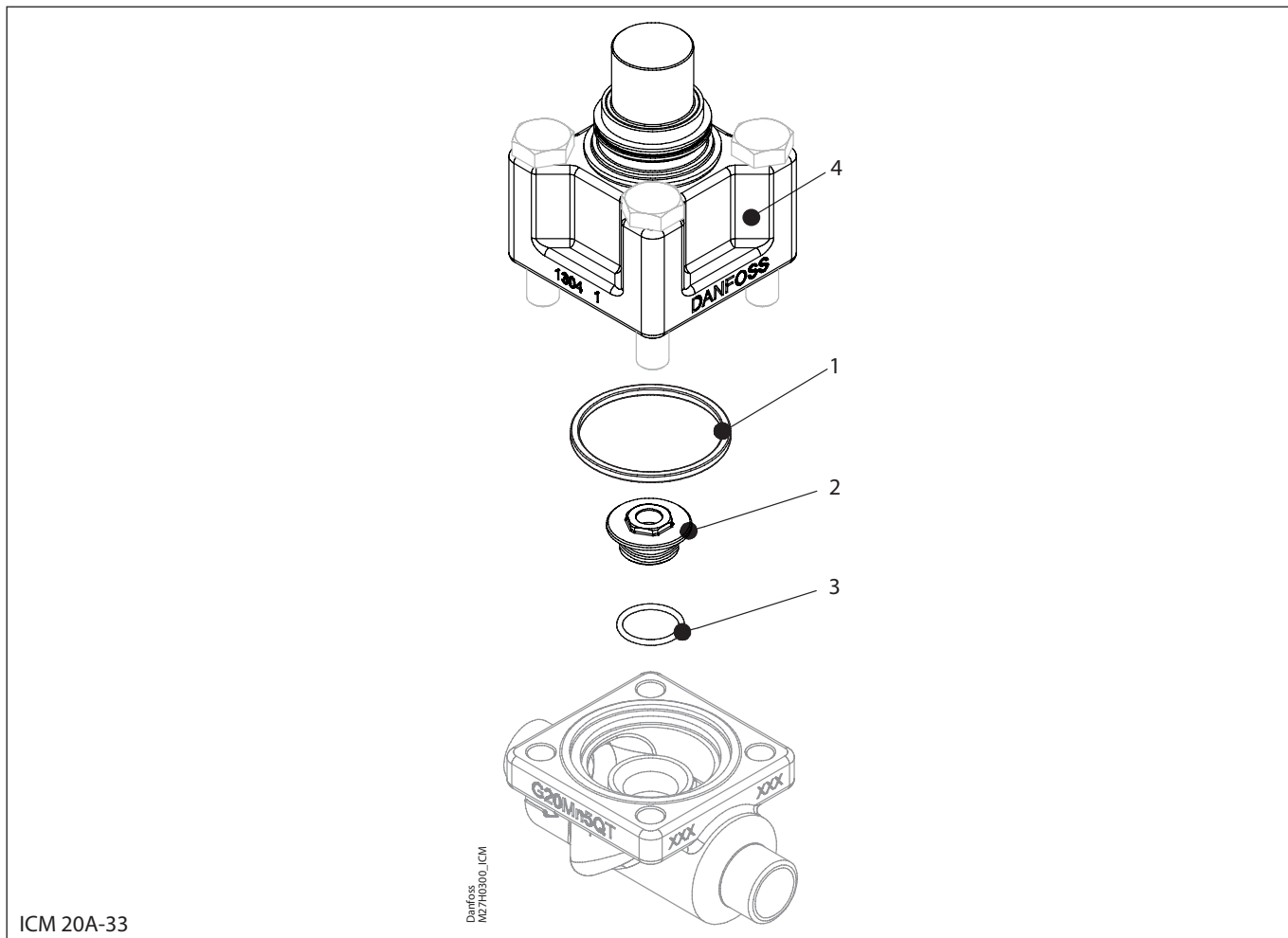


ICM 20A

Danfoss
 027H1180_ICM

<p>1</p> <p> = Rubber</p> <p>Total no. = 1</p>	<p>2</p> <p>Ø5.5 mm Ø0.217"</p> <p>Total no. = 1</p>	<p>3</p> <p>Ø17 mm Ø0.67"</p> <p>Total no. = 1</p>	<p>4</p> <p>Cone type A:</p> <p>Ø5.5 mm 5 mm Ø0.22" 0.2"</p> <p>Total no. = 1</p>
---	--	--	--

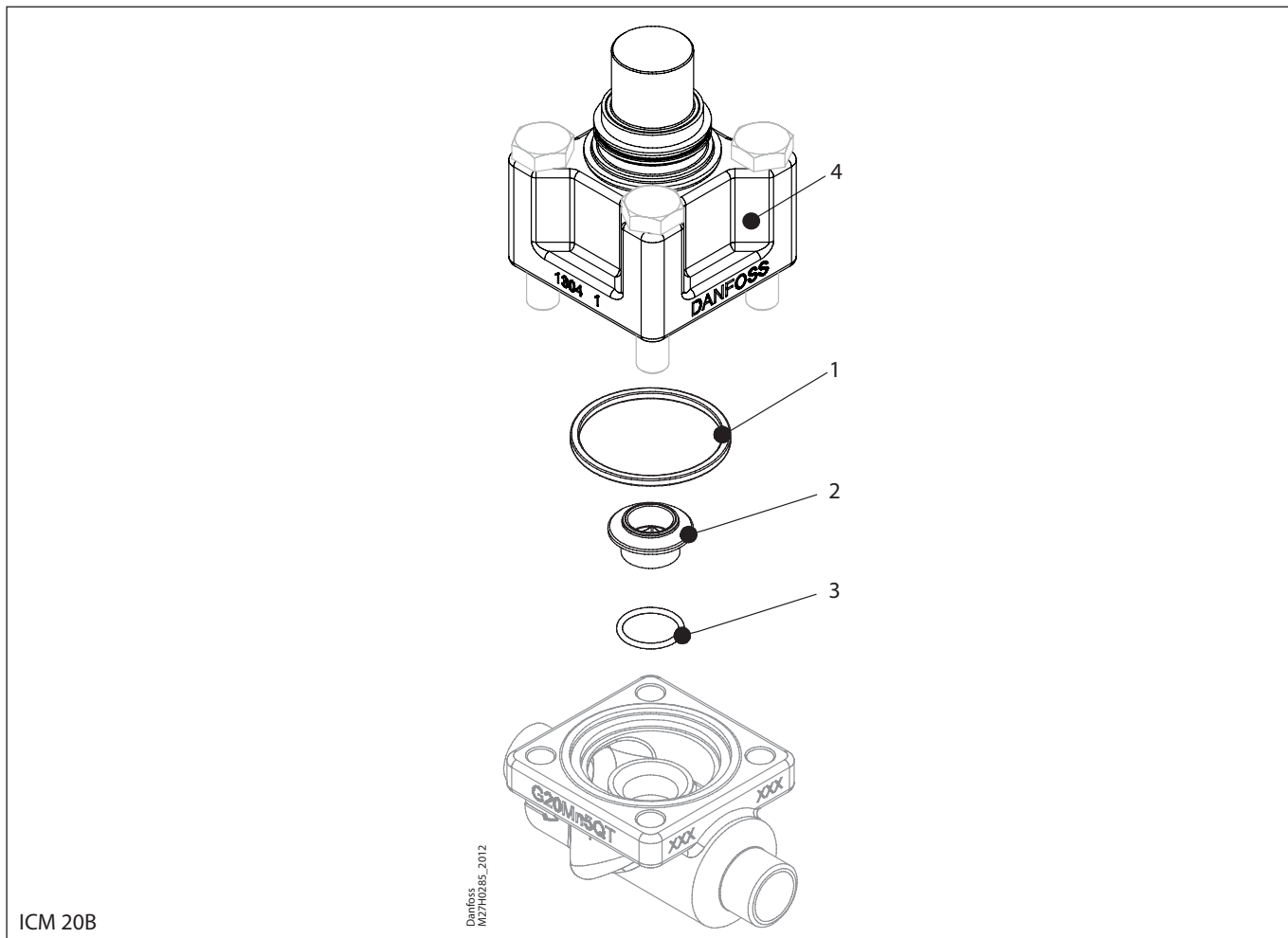
Overhaul kit | Code number 027H1186
 ICM, size 20A-33



ICM 20A-33

<p>1</p> <p> = Rubber</p> <p>Total no. = 1</p>	<p>2</p> <p>Ø5.5 mm Ø0.217"</p> <p>Total no. = 1</p>	<p>3</p> <p>Ø17 mm Ø0.67</p> <p>Total no. = 1</p>	<p>4</p> <p>Cone type A-33: 7 mm Ø5.5 mm Ø0.22"</p> <p>Total no. = 1</p>
---	---	--	---

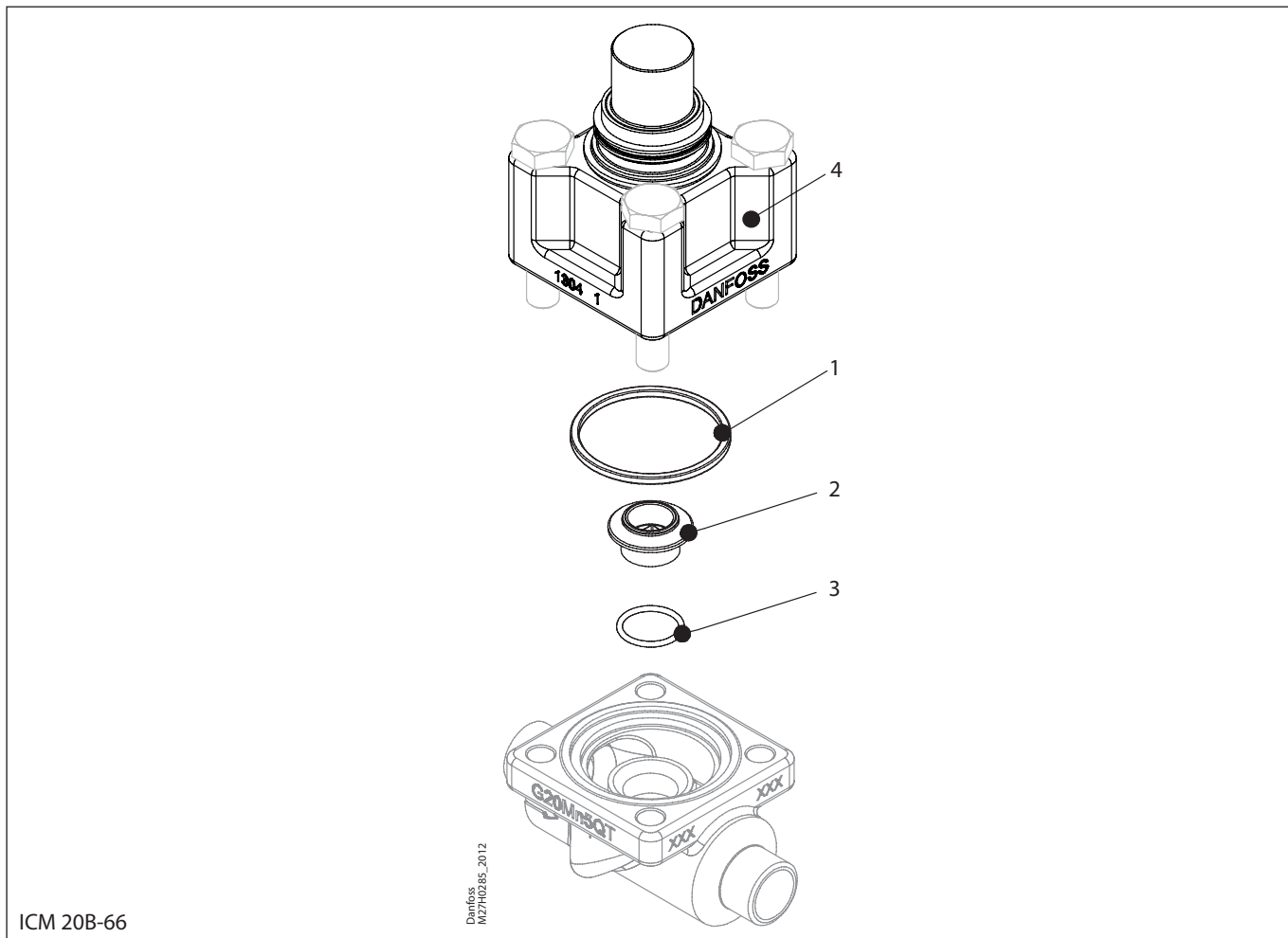
Overhaul kit | Code number 027H1181
ICM, size 20B



ICM 20B

<p>1</p> <p> = Rubber</p> <p>Total no. = 1</p>	<p>2</p> <p>Total no. = 1</p>	<p>3</p> <p>Total no. = 1</p>	<p>4</p> <p>Cone type B:</p> <p>6.5mm 0.26"</p> <p>Total no. = 1</p>
---	--------------------------------------	--------------------------------------	---

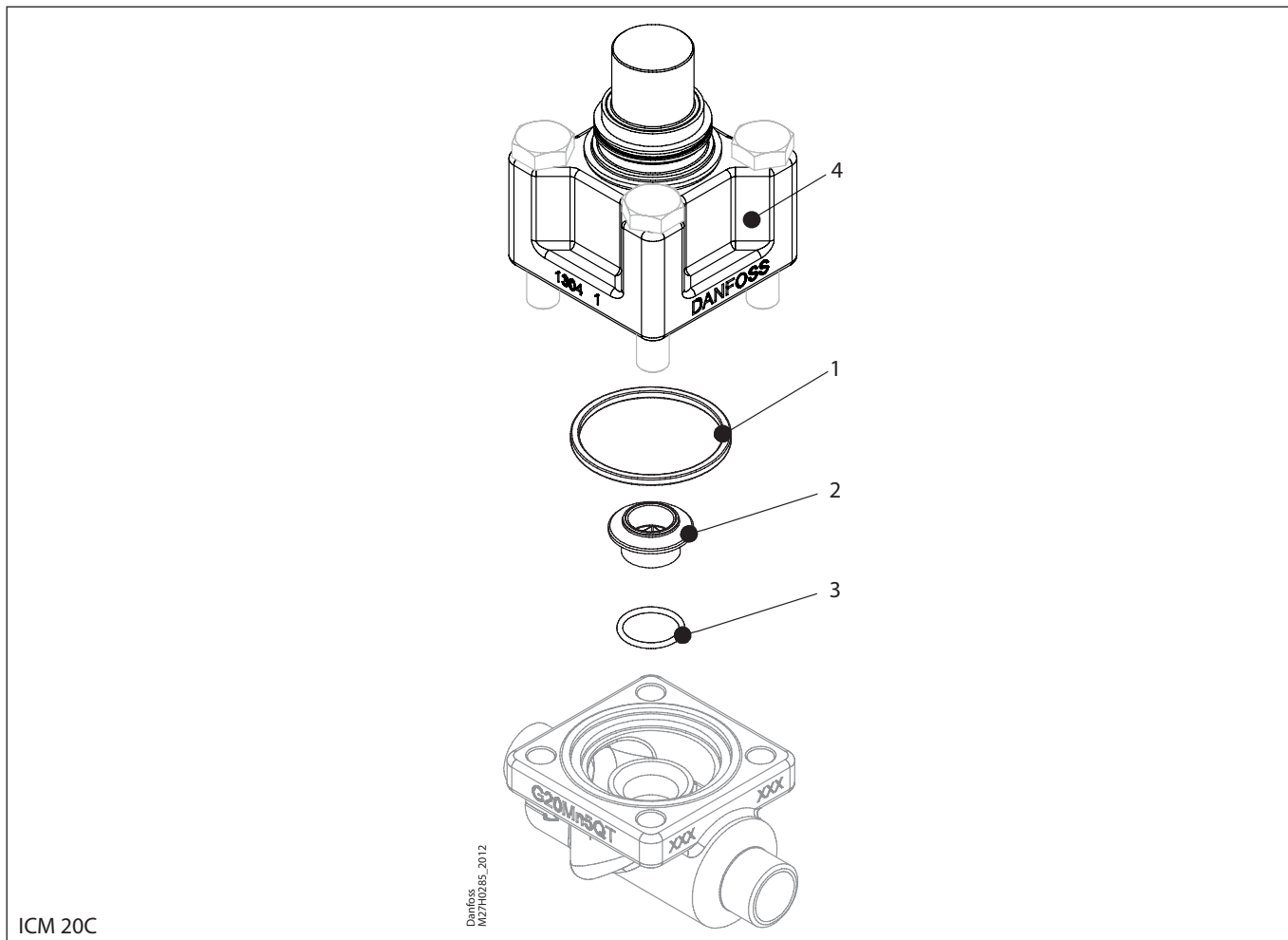
Overhaul kit | Code number 027H1194
 ICM, size 20B-66



ICM 20B-66

<p>1</p> <p>Total no. = 1</p>	<p>2</p> <p>Total no. = 1</p>	<p>3</p> <p>Total no. = 1</p>	<p>4</p> <p>Cone type B-66: 7.5 mm 0.29"</p> <p>Total no. = 1</p>
--------------------------------------	--------------------------------------	--------------------------------------	--

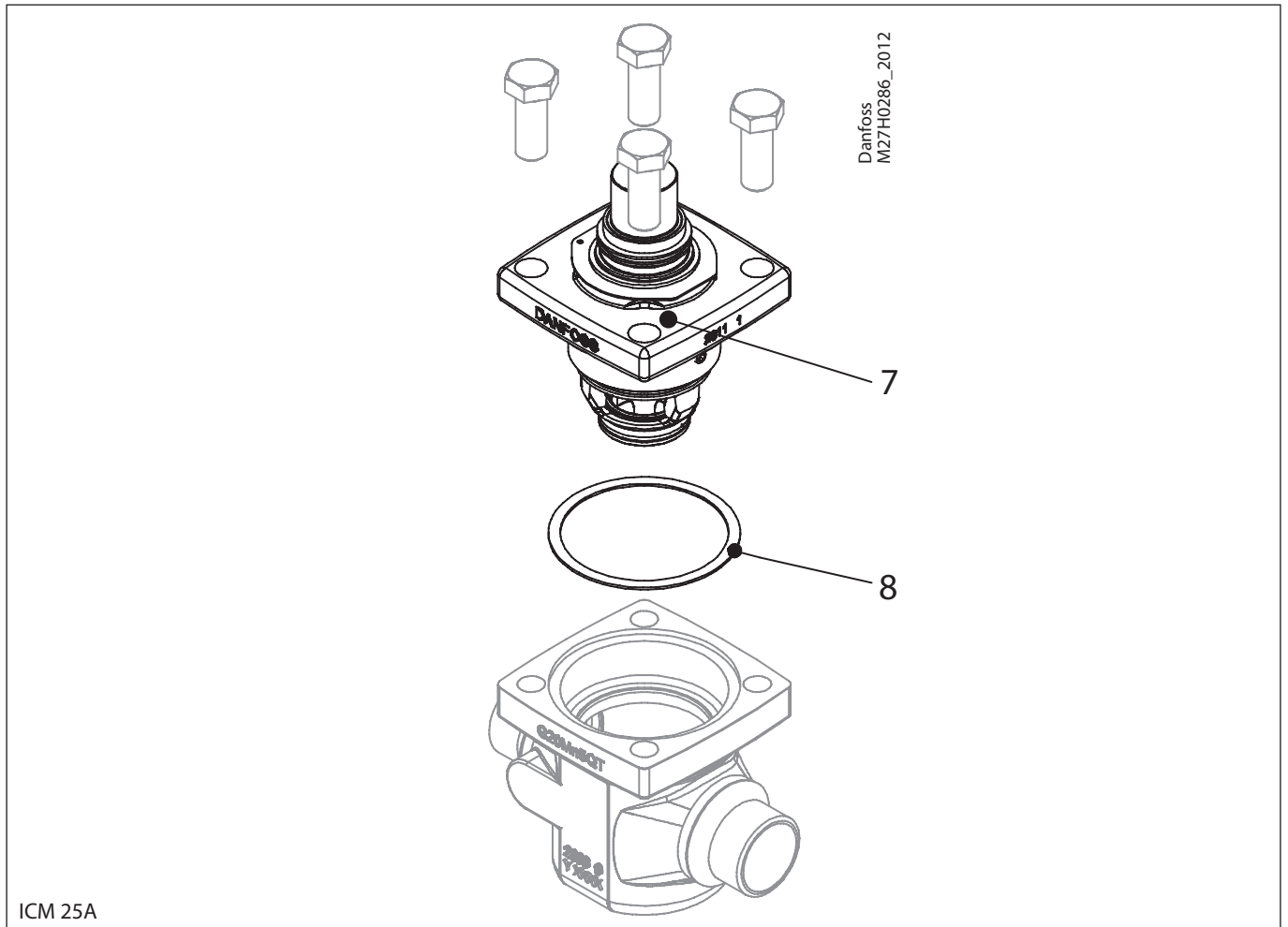
Overhaul kit | Code number 027H1182
 ICM, size 20C



ICM 20C

<p>1</p> <p>Total no. = 1</p>	<p>2</p> <p>Total no. = 1</p>	<p>3</p> <p>Total no. = 1</p>	<p>4</p> <p>Total no. = 1</p>
--------------------------------------	--------------------------------------	--------------------------------------	--------------------------------------

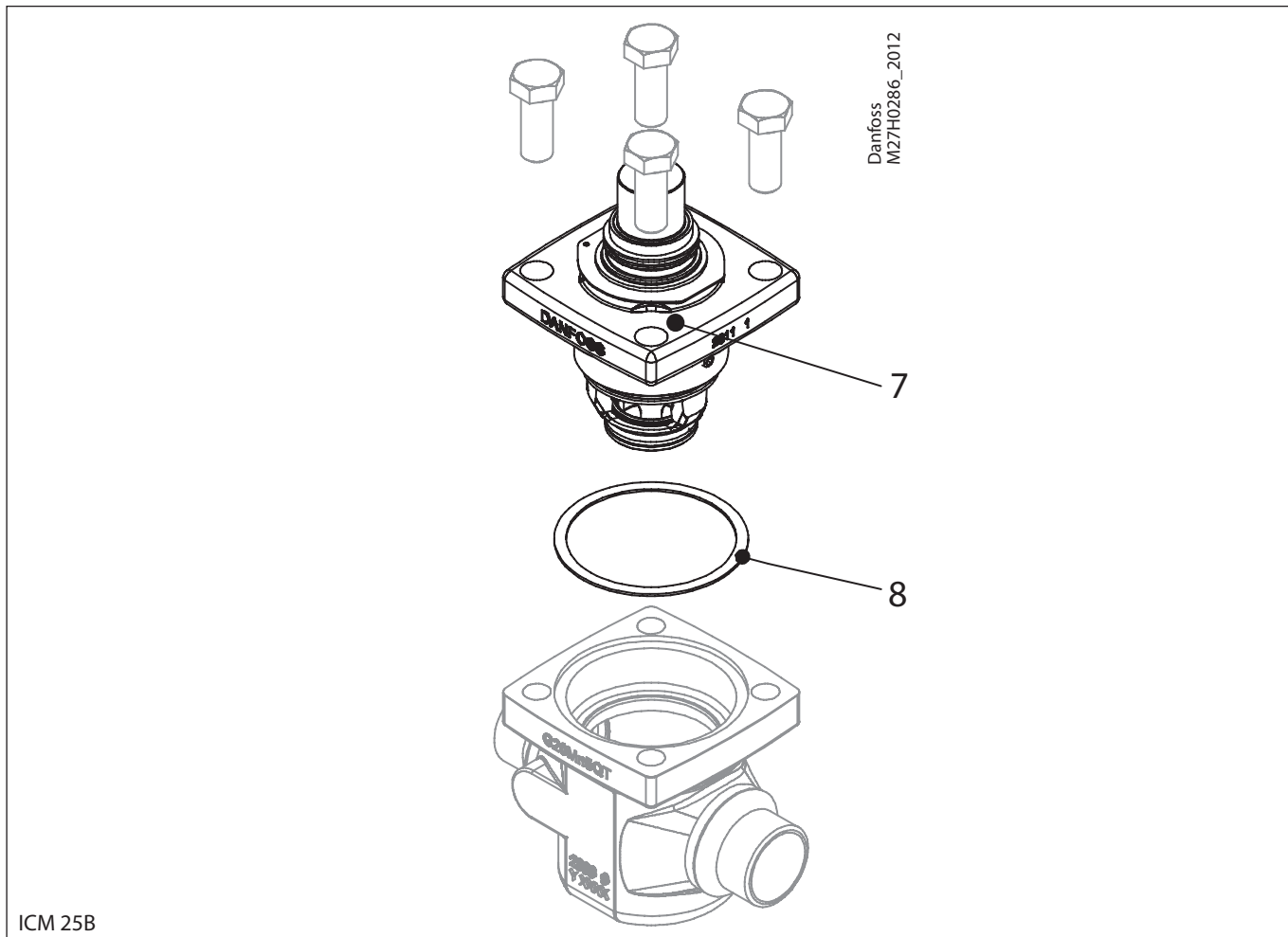
Overhaul kit | Code number 027H2180
ICM, size 25A



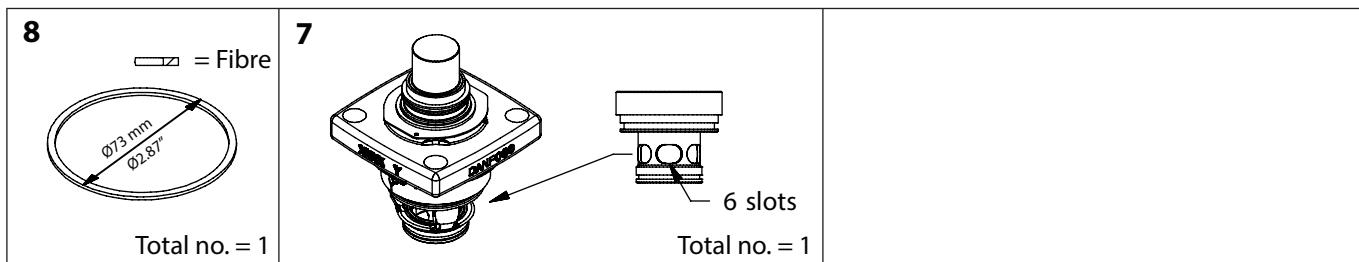
ICM 25A

<p>8</p> <p>▬ = Fibre</p> <p>Ø73 mm Ø28.7</p> <p>Total no. = 1</p>	<p>7</p> <p>3 holes</p> <p>Total no. = 1</p>	
---	---	--

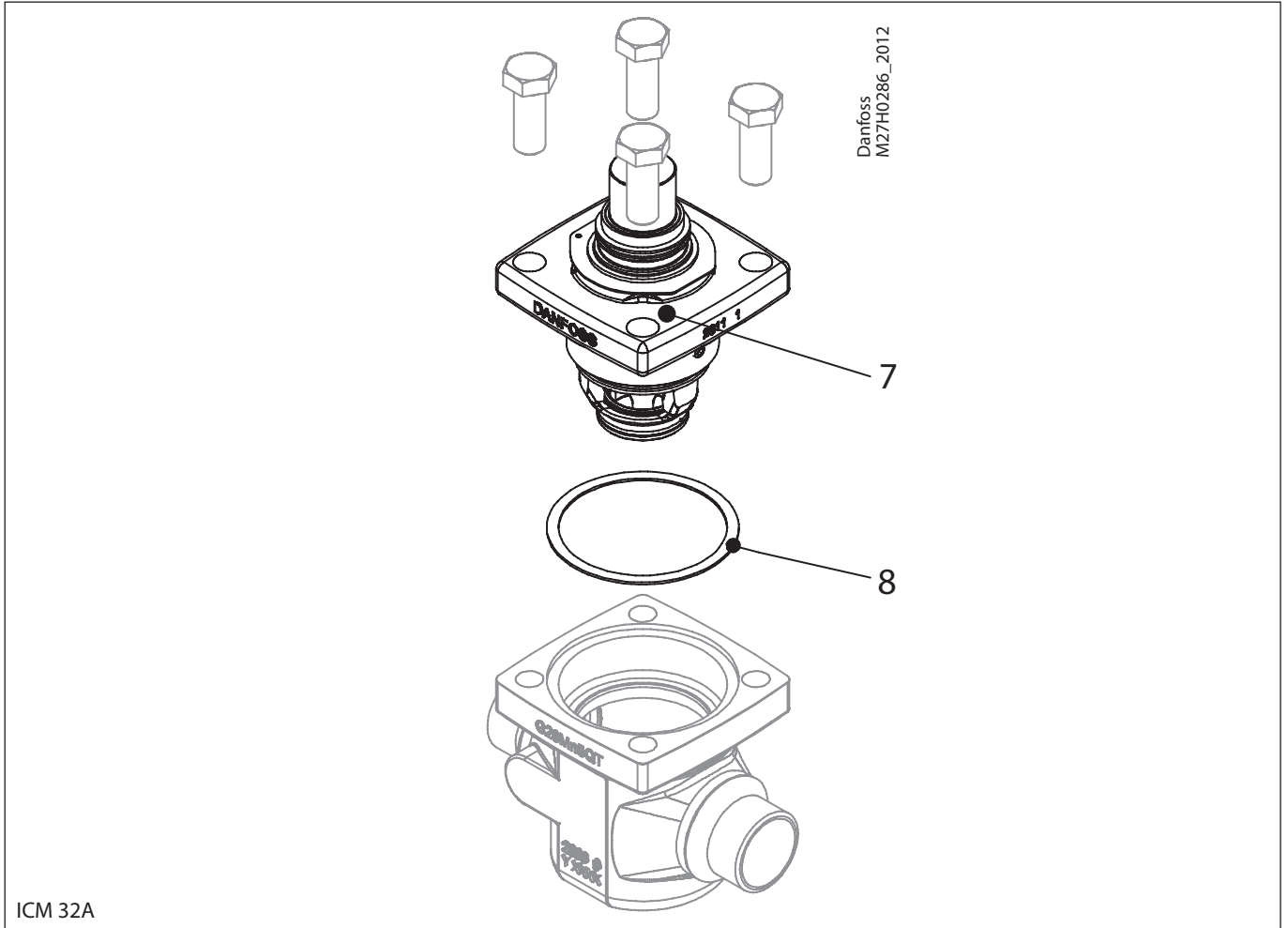
Overhaul kit | Code number 027H2181
 ICM, size 25B



ICM 25B



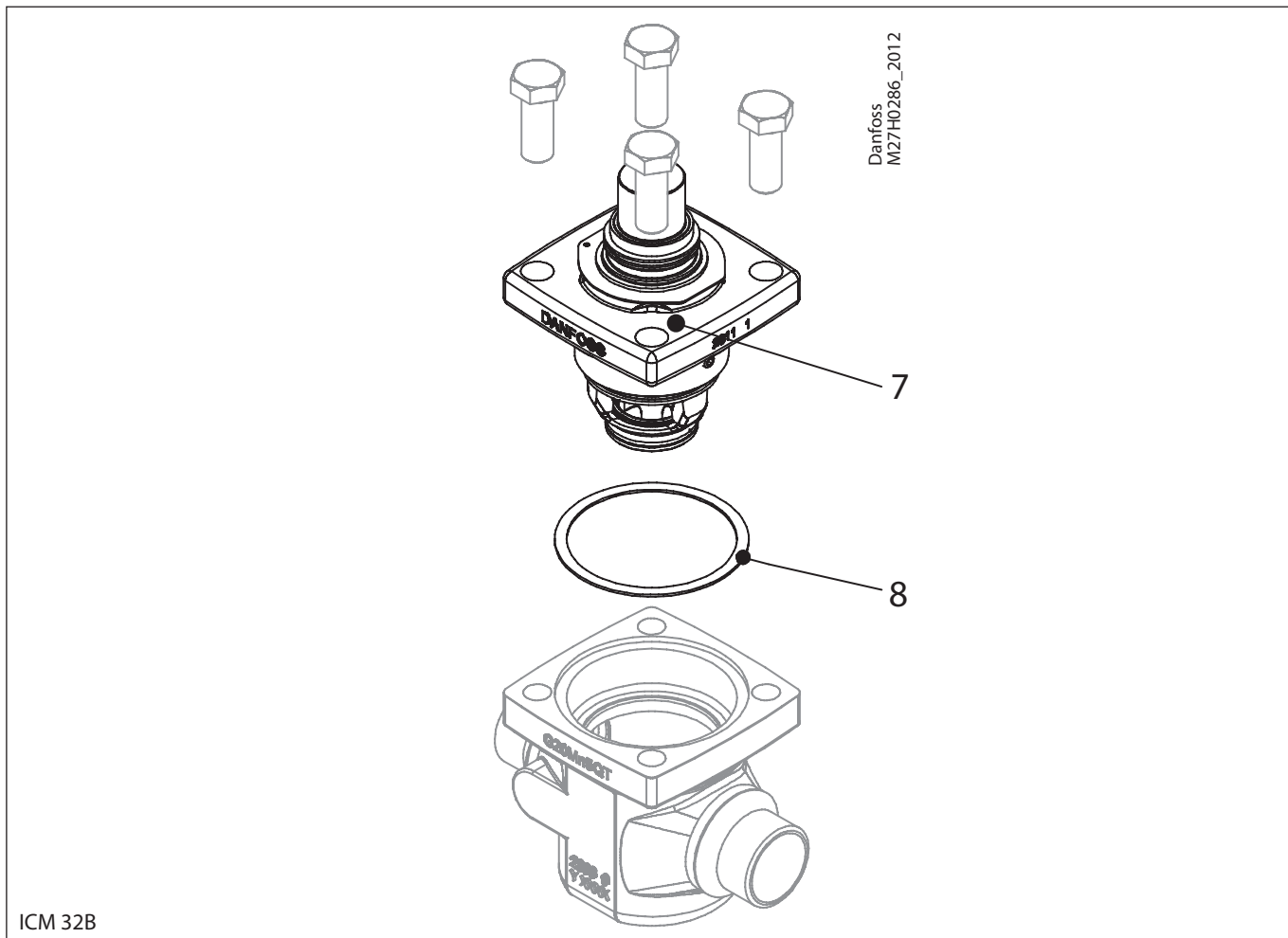
Overhaul kit | Code number 027H3180
ICM, size 32A



ICM 32A

<p>8</p> <p> = Fibre</p> <p>Ø86 mm Ø33.39</p> <p>Total no. = 1</p>	<p>7</p> <p>4 holes Total no. = 1</p>	
---	--	--

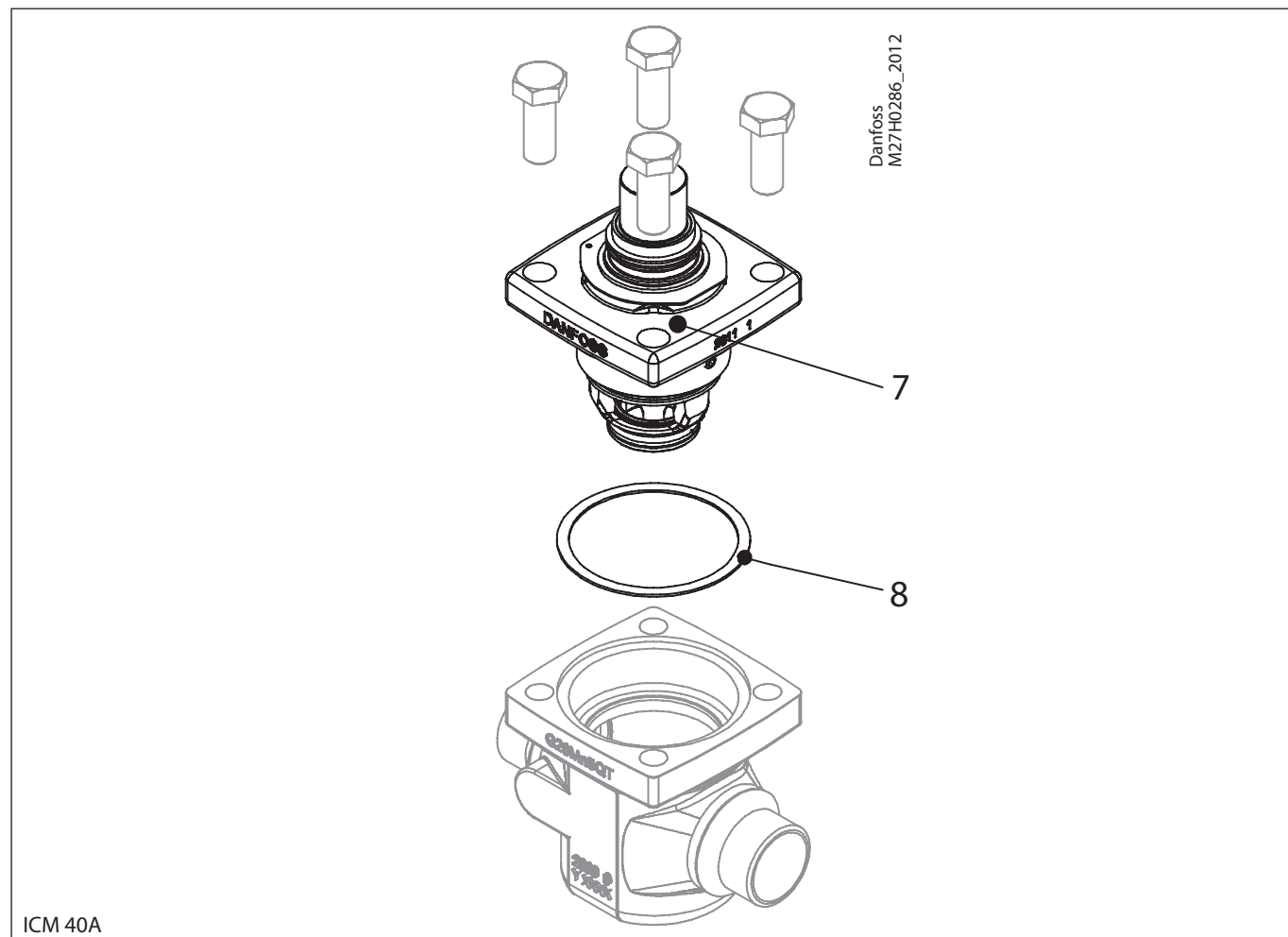
Overhaul kit | Code number 027H3181
 ICM, size 32B



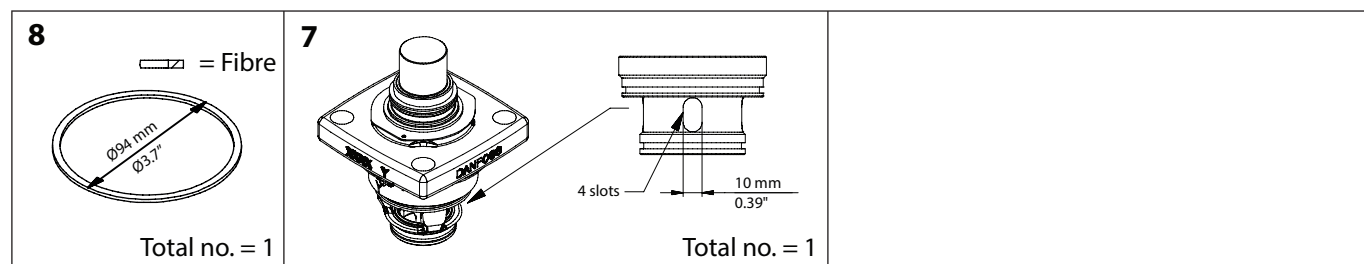
ICM 32B

<p>8</p> <p> = Fibre</p> <p>Total no. = 1</p>	<p>7</p> <p>6 slots</p> <p>Total no. = 1</p>	
--	---	--

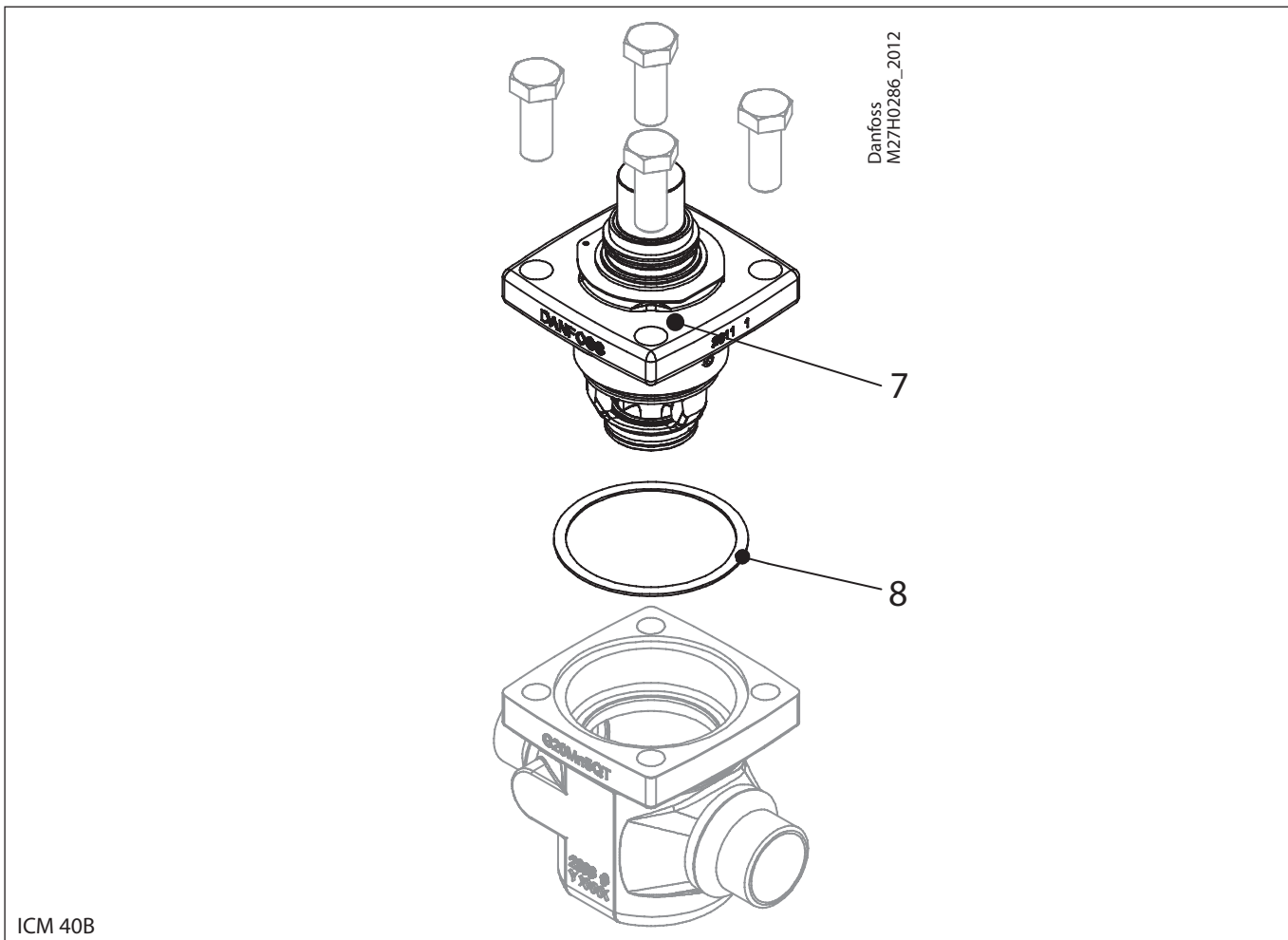
Overhaul kit | Code number 027H4180
ICM, size 40A



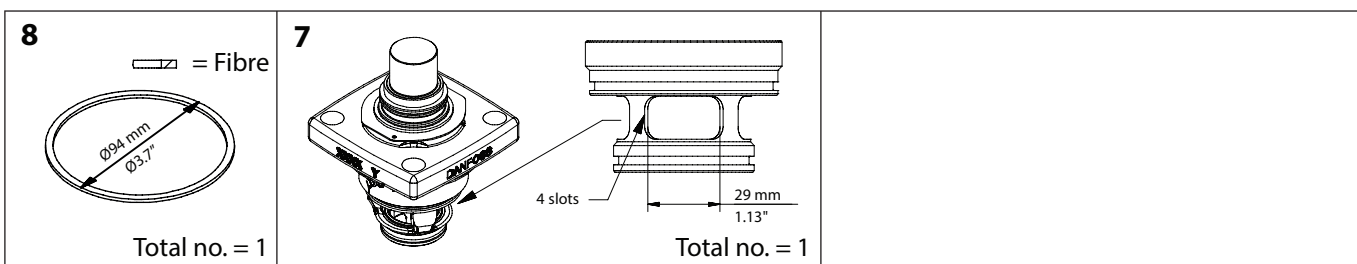
ICM 40A



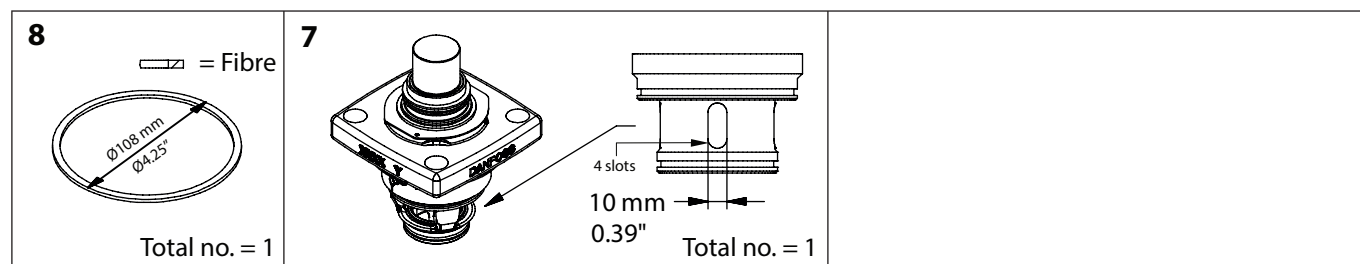
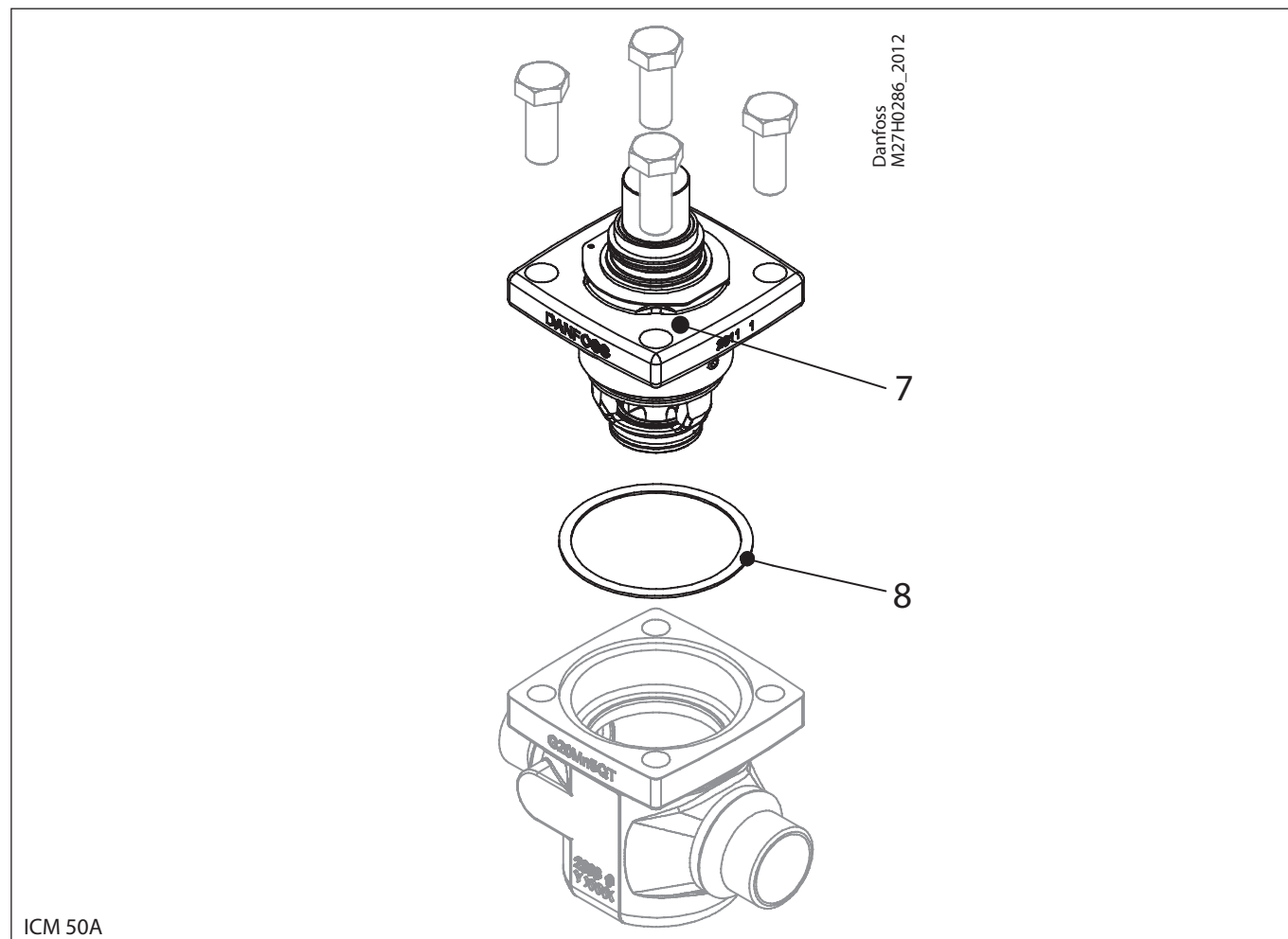
Overhaul kit | Code number 027H4181
ICM, size 40B



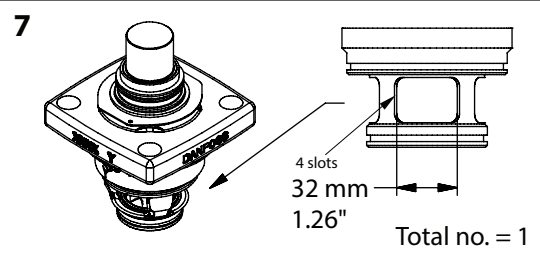
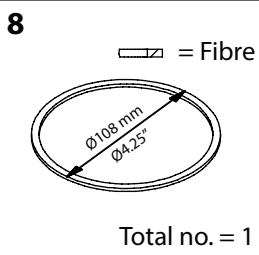
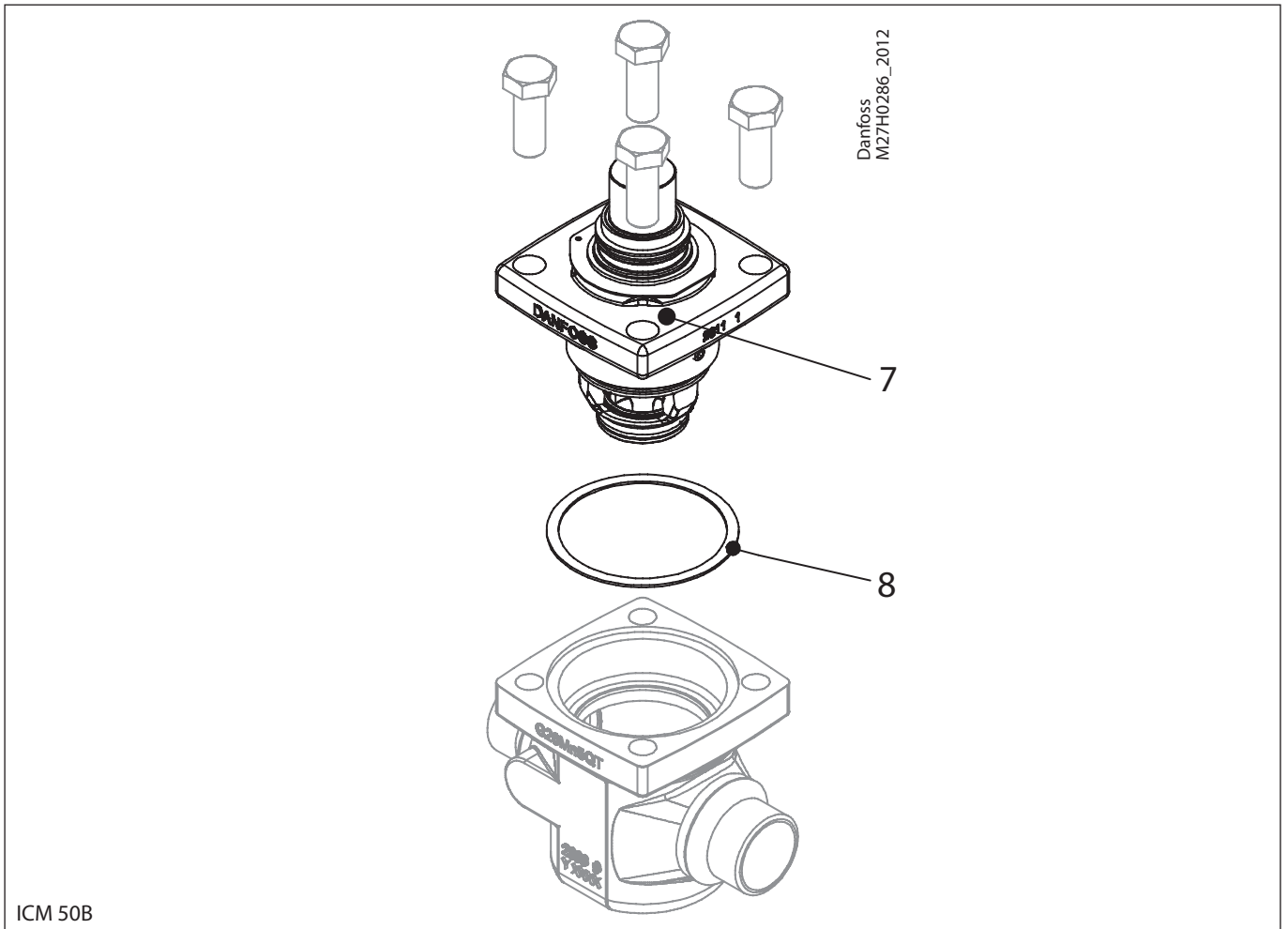
ICM 40B



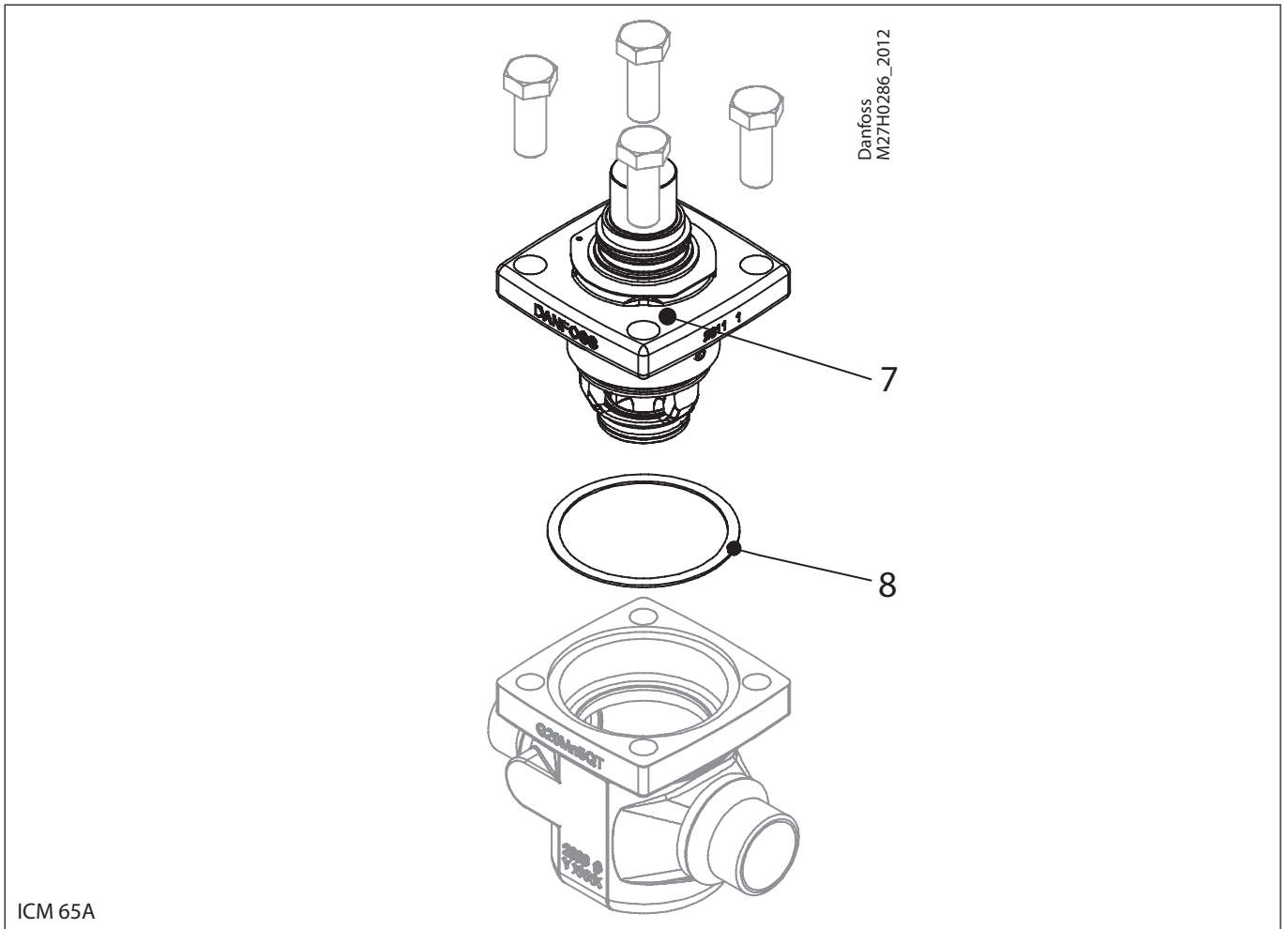
Overhaul kit | Code number 027H5180
ICM, size 50A



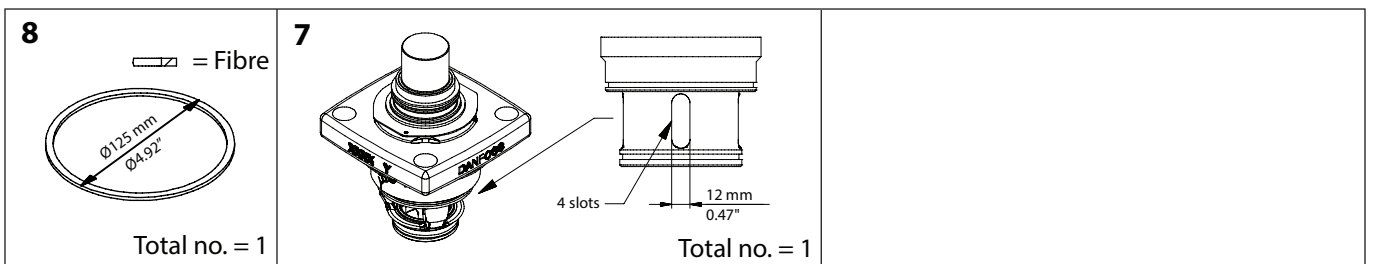
Overhaul kit | Code number 027H5181
ICM, size 50B



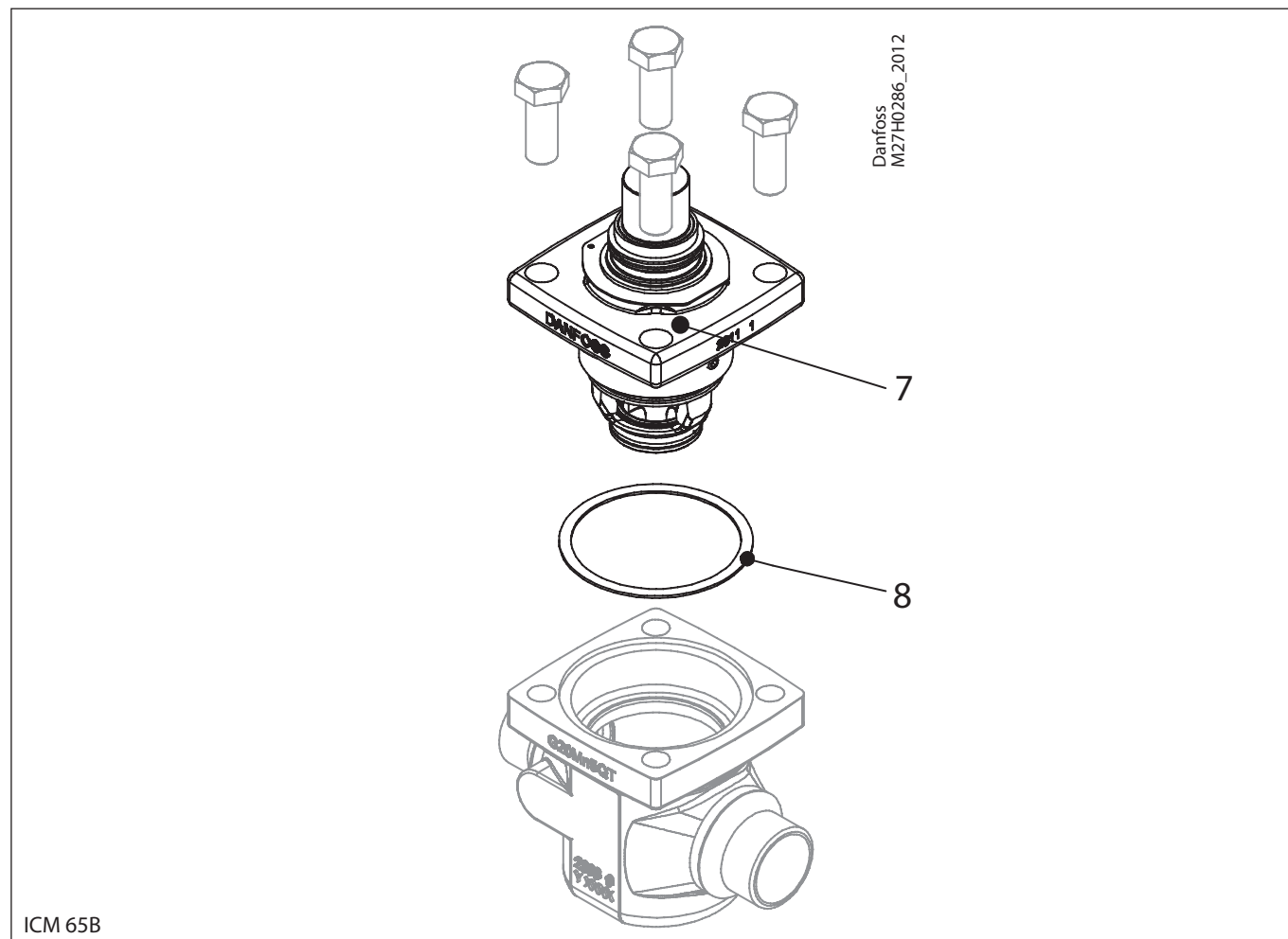
Overhaul kit | Code number 027H6180
ICM, size 65A



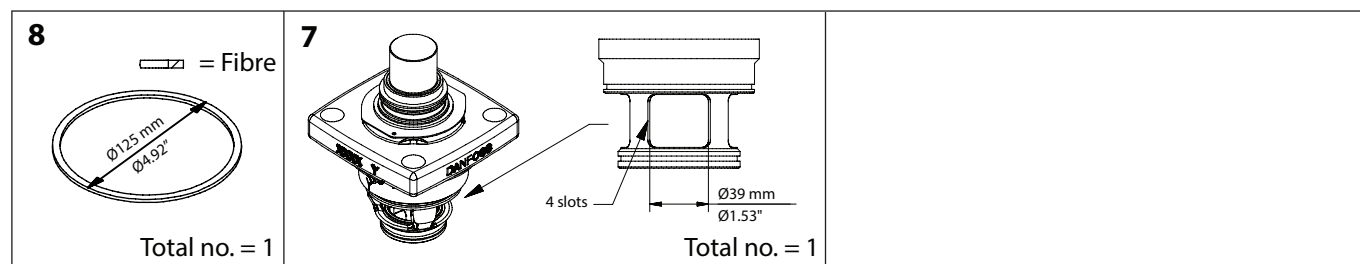
ICM 65A



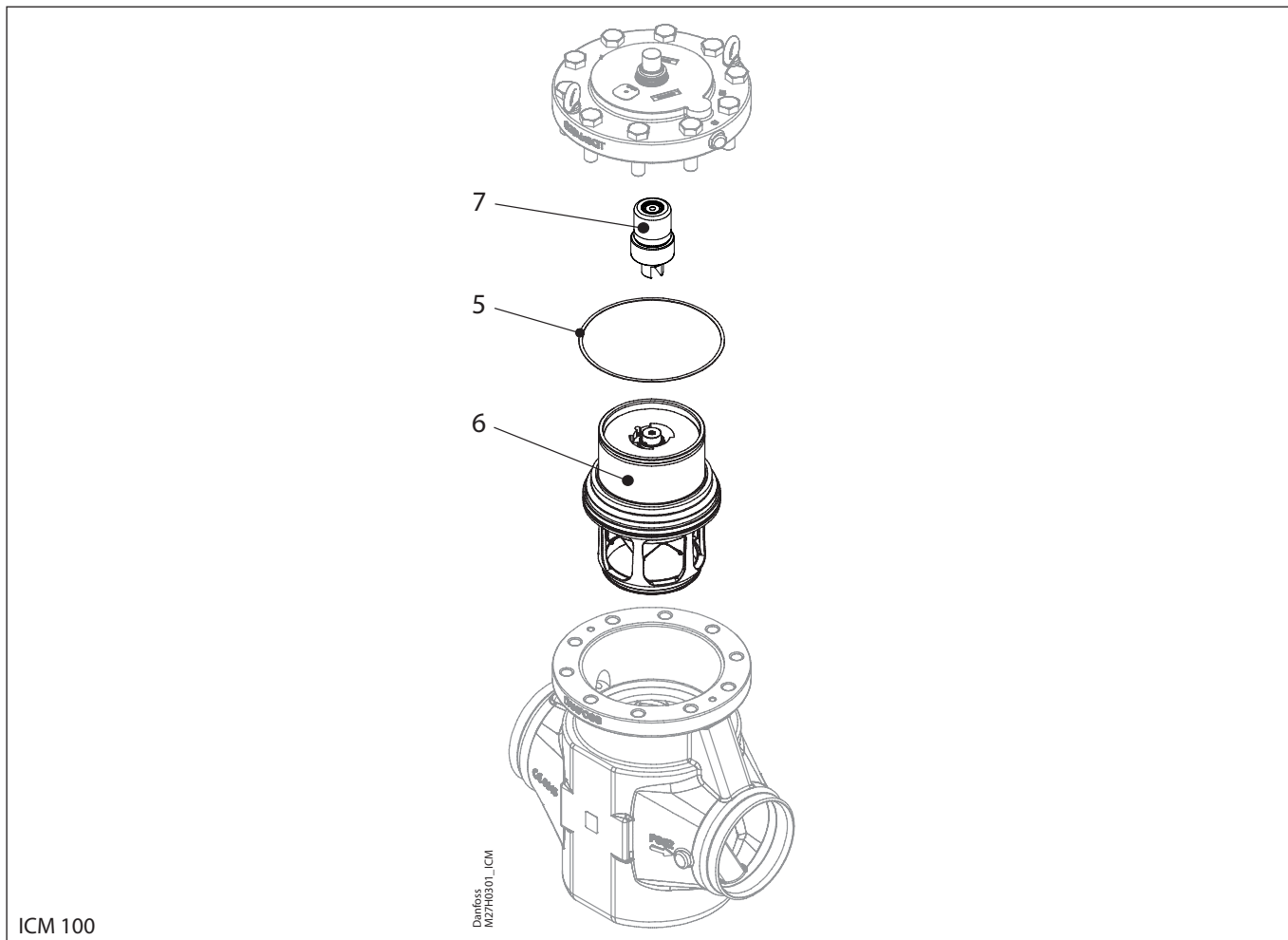
Overhaul kit | Code number 027H6181
 ICM, size 65B



ICM 65B



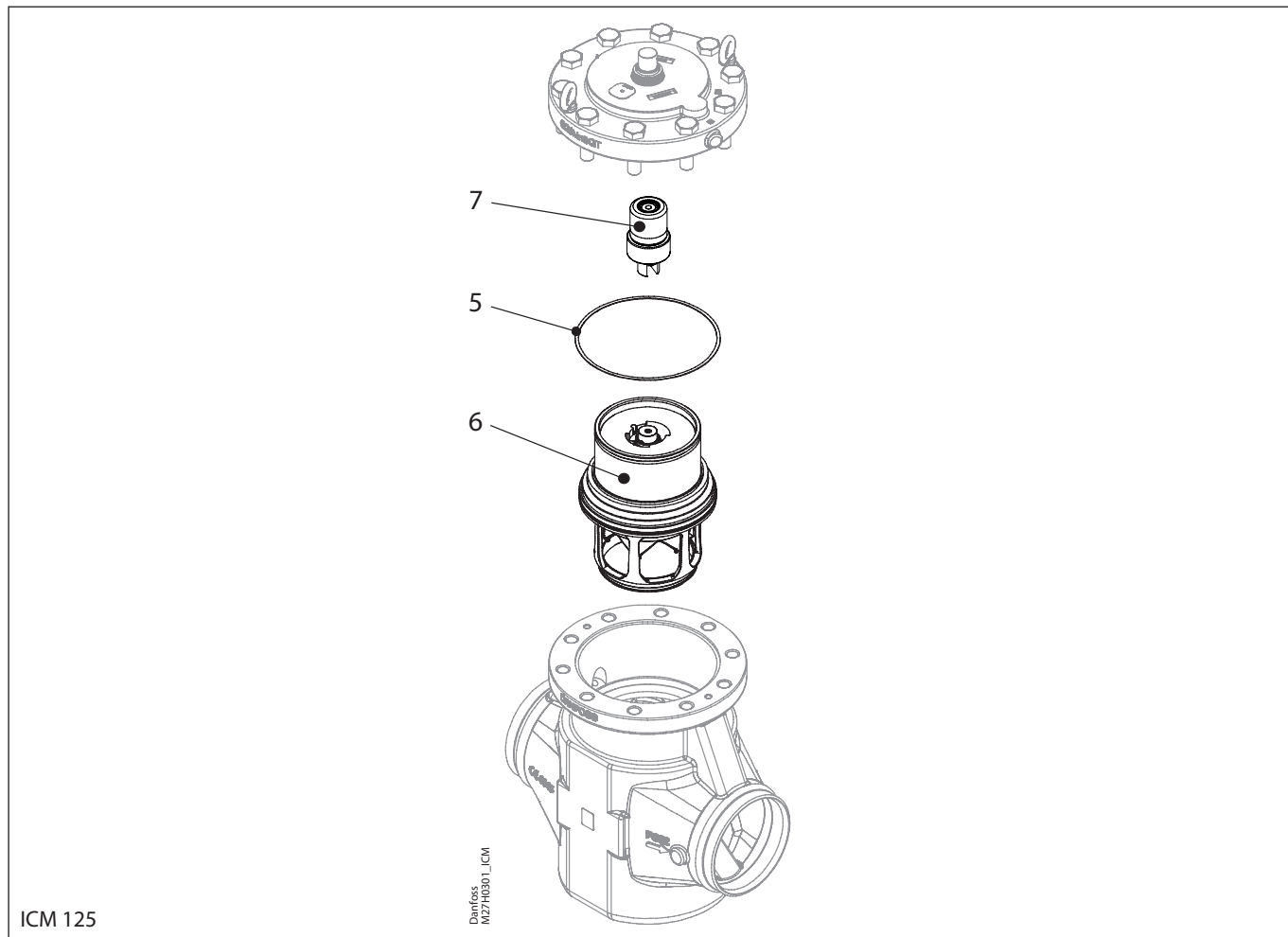
Overhaul kit | Code number 027H7136
 ICM, size 100



<p>5</p> <p>Total no. = 1</p>	<p>6</p> <p>Total no. = 1</p>	<p>7</p> <p>Total no. = 1</p>	
--------------------------------------	--------------------------------------	--------------------------------------	--

For a complete replacement of the ICM top cover including magnetic coupling and gasket; please see page 63.

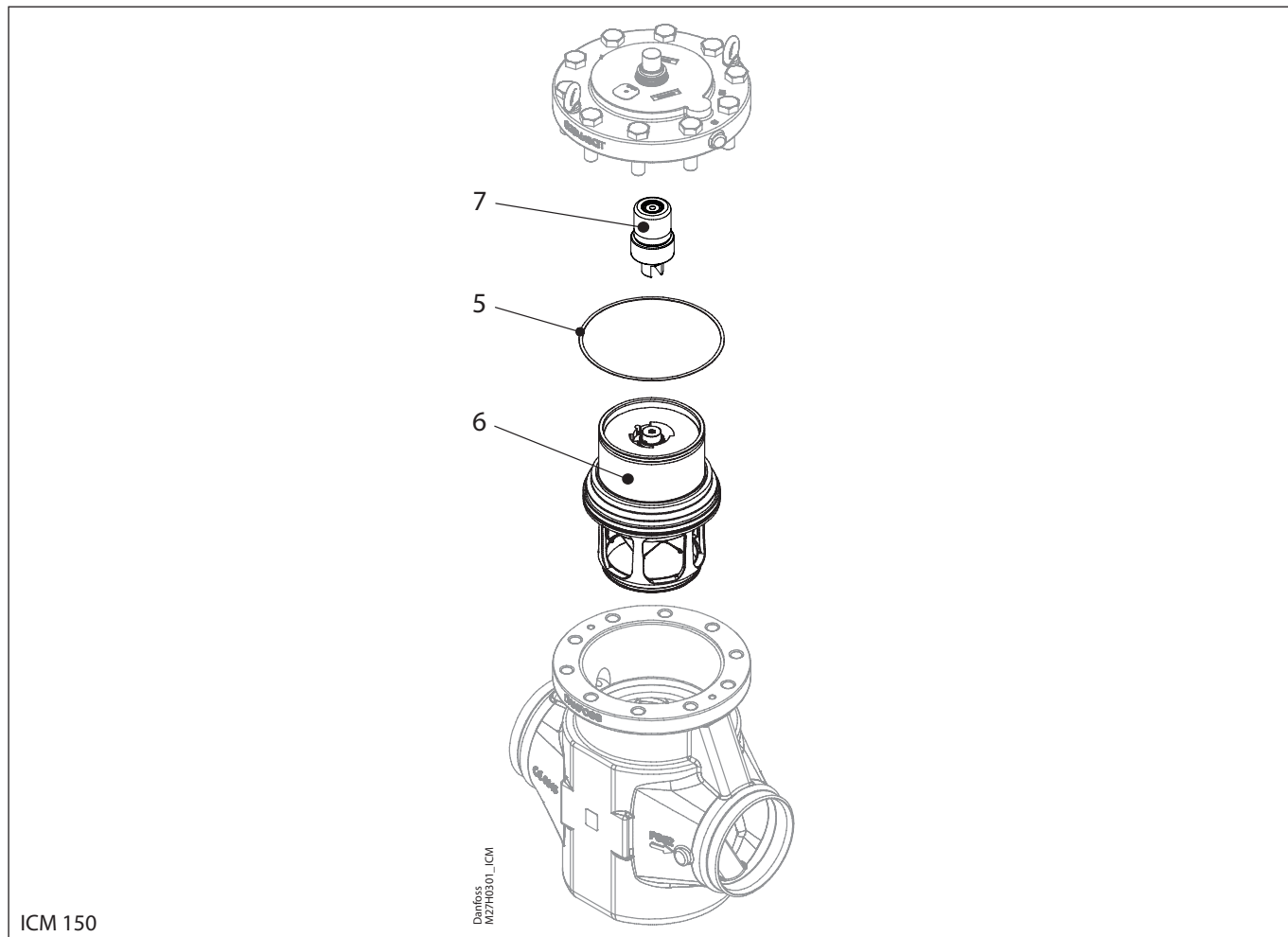
Overhaul kit | Code number 027H7156
 ICM, size 125



<p>5</p> <p>— = Fibre</p> <p>Ø178 mm Ø7.01"</p> <p>Total no. = 1</p>	<p>6</p> <p>Ø120 mm Ø4.72"</p> <p>Total no. = 1</p>	<p>7</p> <p>Total no. = 1</p>	
---	--	--------------------------------------	--

For a complete replacement of the ICM top cover including magnetic coupling and gasket; please see page 63.

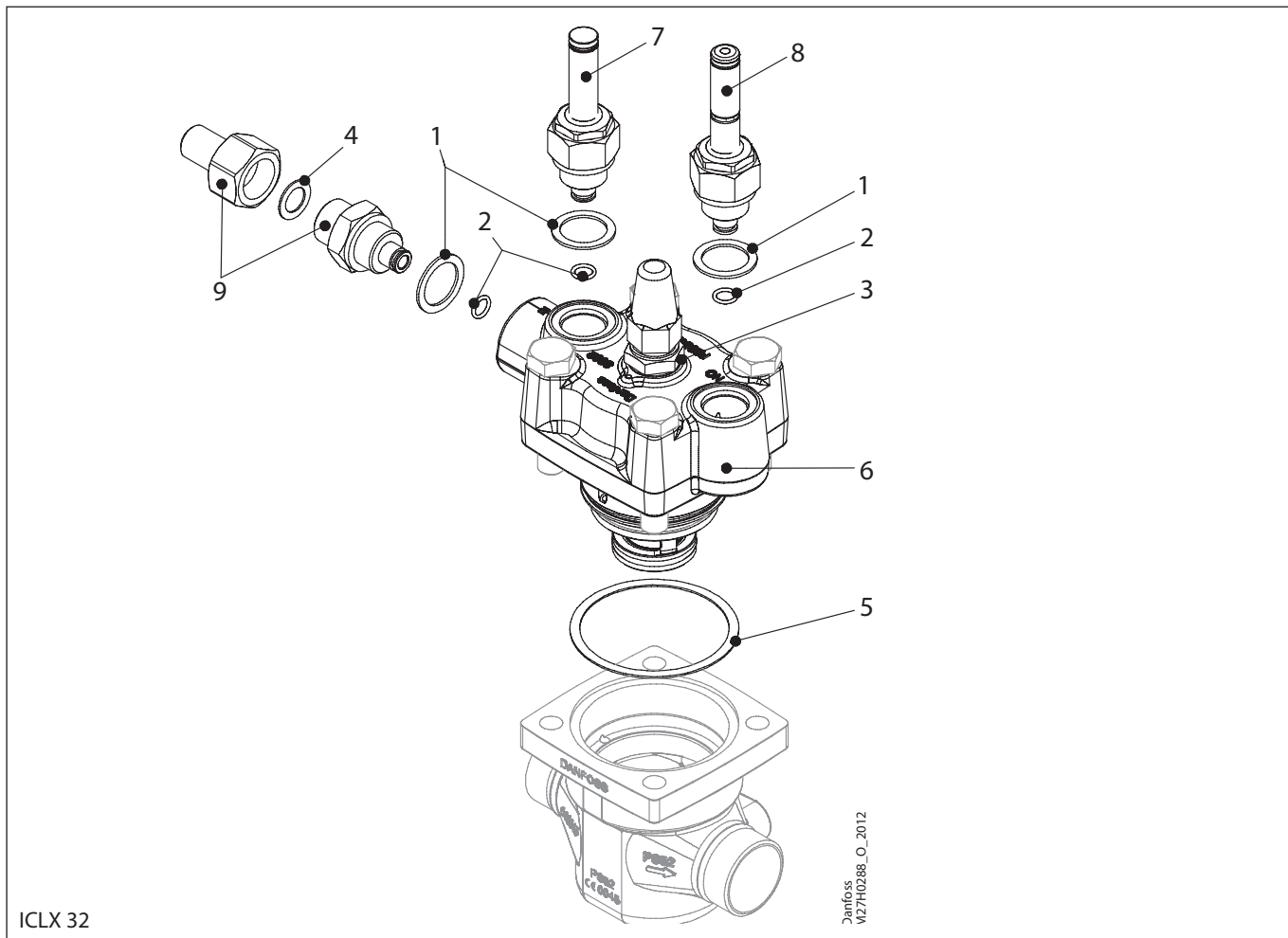
Overhaul kit | Code number 027H7176
 ICM, size 150



<p>5</p> <p>Total no. = 1</p>	<p>6</p> <p>Total no. = 1</p>	<p>7</p> <p>Total no. = 1</p>	
--------------------------------------	--------------------------------------	--------------------------------------	--

For a complete replacement of the ICM top cover including magnetic coupling and gasket; please see page 63.

Overhaul kit | Code number 027H3204
ICLX, size 32

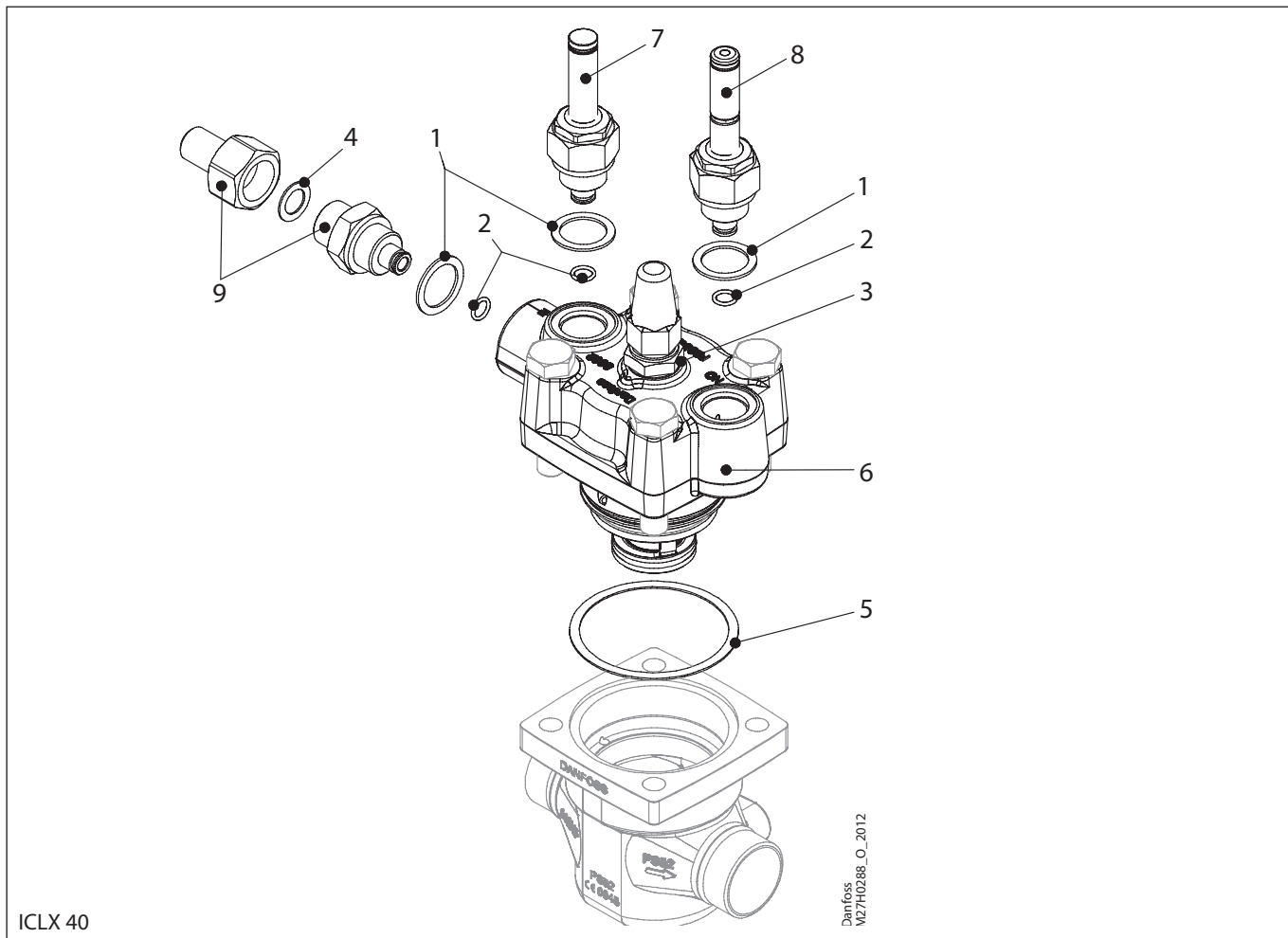


ICLX 32

Danfoss
V127H0288_O_2012

<p>1</p> <p> = Fibre</p> <p>Total no. = 3</p>	<p>2</p> <p> = Fibre</p> <p>Total no. = 3</p>	<p>3</p> <p> = Alu.</p> <p>Total no. = 1</p>	<p>4</p> <p> = Alu.</p> <p>Total no. = 1</p>	<p>5</p> <p> = Fibre</p> <p>Total no. = 1</p>
<p>6</p> <p>Total no. = 1</p>	<p>7</p> <p>Total no. = 1</p>	<p>8</p> <p>Total no. = 1</p>	<p>9</p> <p>Total no. = 1</p>	

Overhaul kit | Code number 027H4204
ICLX, size 40

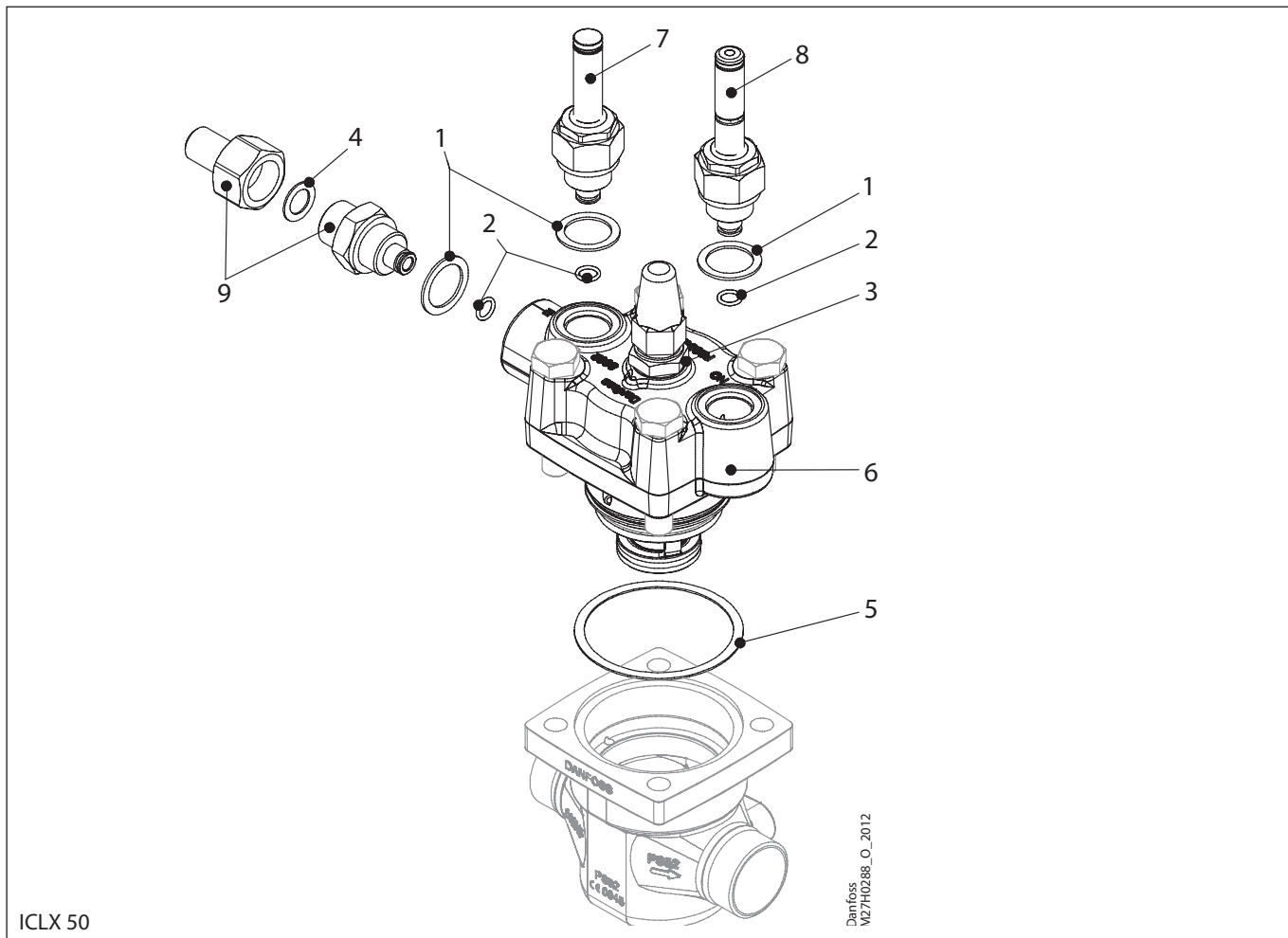


ICLX 40

Danfoss
V127H0288_O_2012

<p>1</p> <p> = Fibre</p> <p> <p>Total no. = 3</p> </p>	<p>2</p> <p> = Fibre</p> <p> <p>Total no. = 3</p> </p>	<p>3</p> <p> = Alu.</p> <p> <p>Total no. = 1</p> </p>	<p>4</p> <p> = Alu.</p> <p> <p>Total no. = 1</p> </p>	<p>5</p> <p> = Fibre</p> <p> <p>Total no. = 1</p> </p>
<p>6</p> <p></p> <p>Total no. = 1</p>	<p>7</p> <p></p> <p>Total no. = 1</p>	<p>8</p> <p></p> <p>Total no. = 1</p>	<p>9</p> <p></p> <p>Total no. = 1</p>	

Overhaul kit | Code number 027H5204
ICLX, size 50

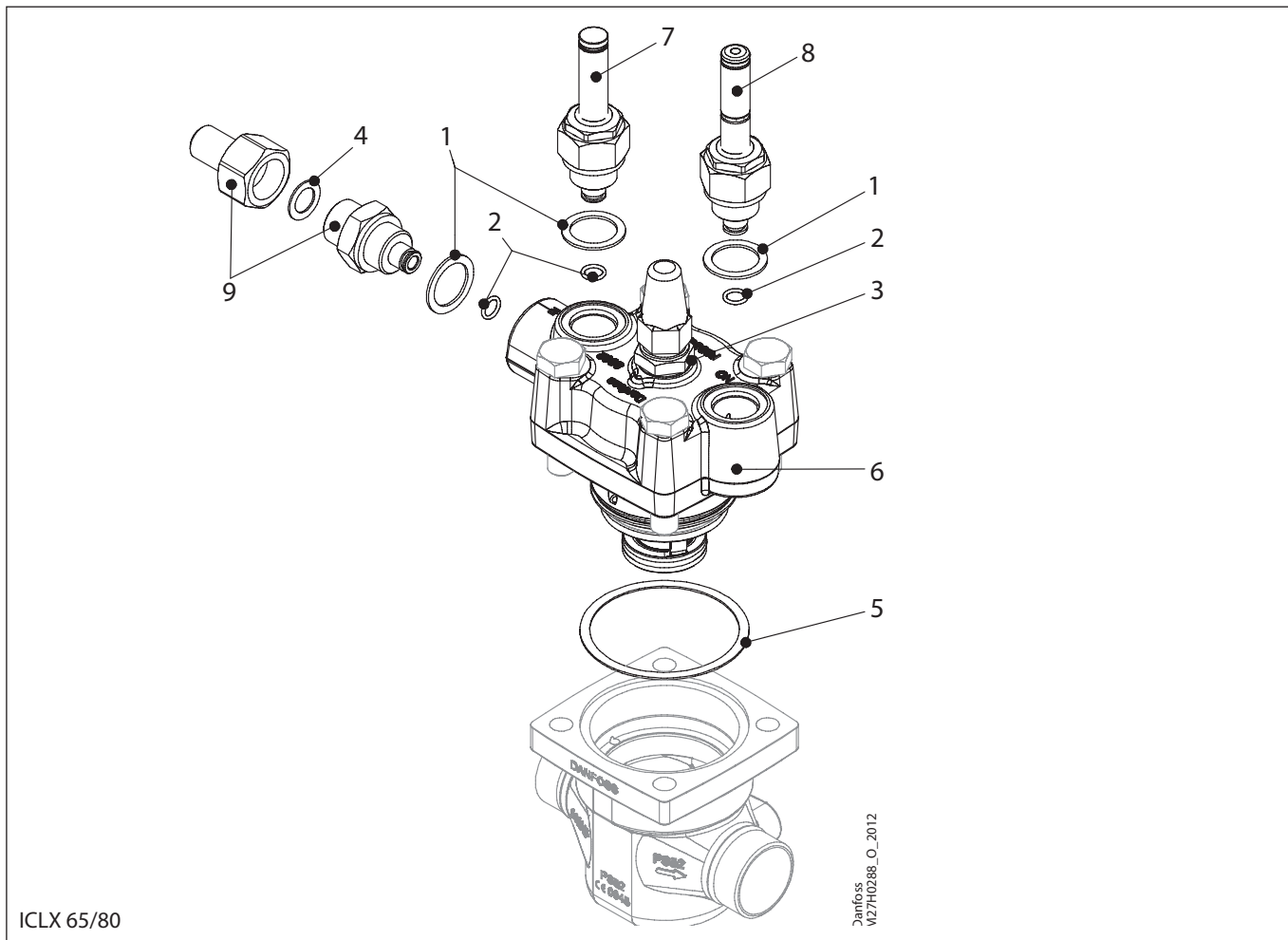


ICLX 50

Danfoss
V027H0288_O_2012

<p>1</p> <p> = Fibre</p> <p>Total no. = 3</p>	<p>2</p> <p> = Fibre</p> <p>Total no. = 3</p>	<p>3</p> <p> = Alu.</p> <p>Total no. = 1</p>	<p>4</p> <p> = Alu.</p> <p>Total no. = 1</p>	<p>5</p> <p> = Fibre</p> <p>Total no. = 1</p>
<p>6</p> <p>Total no. = 1</p>	<p>7</p> <p>Total no. = 1</p>	<p>8</p> <p>Total no. = 1</p>	<p>9</p> <p>Total no. = 1</p>	

Overhaul kit | Code number 027H6204
ICLX, size 65/80

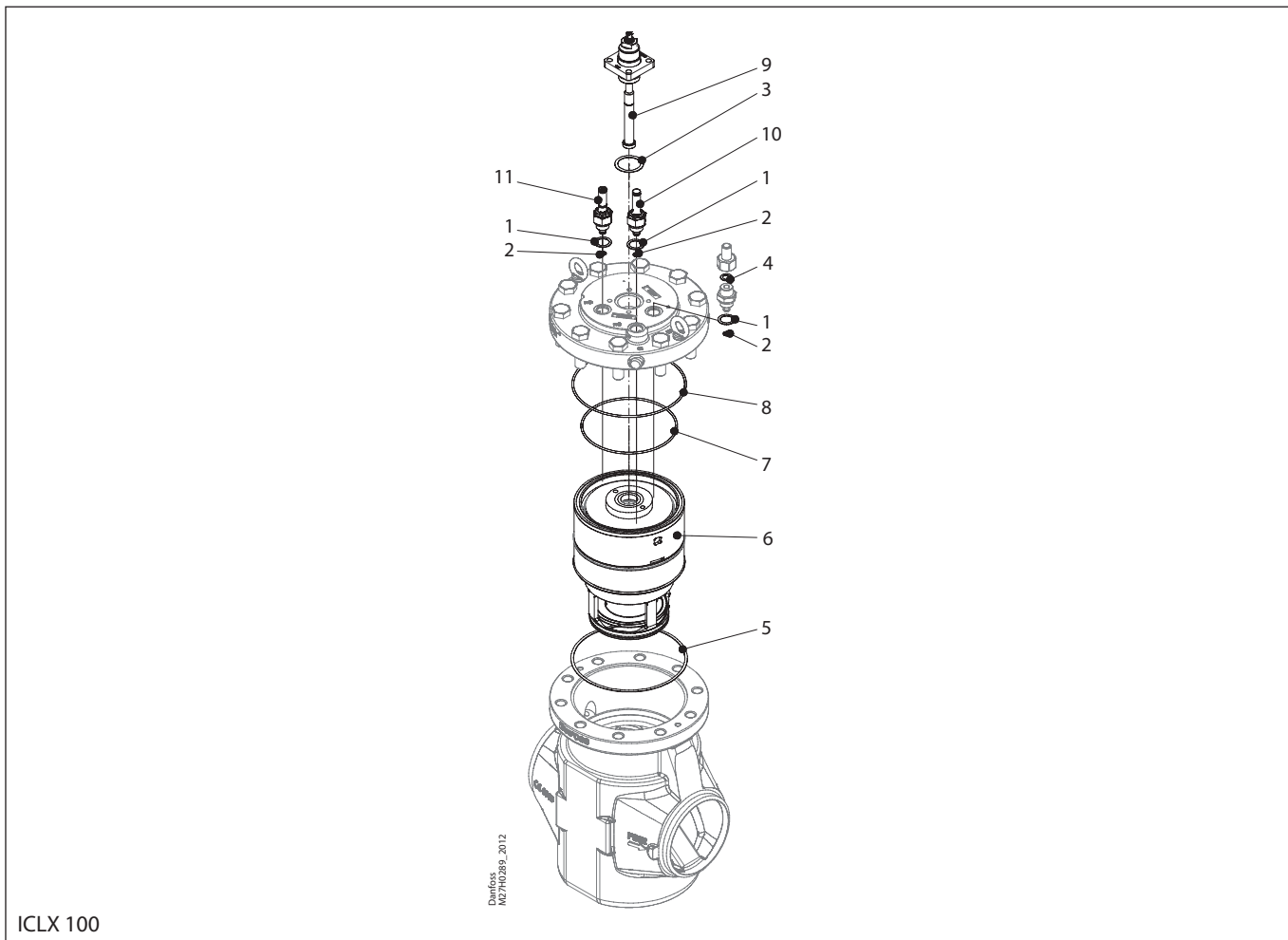


ICLX 65/80

Danfoss
W27H0288_O_2012

<p>1</p> <p> = Fibre</p> <p>Total no. = 3</p>	<p>2</p> <p></p> <p>Total no. = 3</p>	<p>3</p> <p> = Alu.</p> <p>Total no. = 1</p>	<p>4</p> <p> = Alu.</p> <p>Total no. = 1</p>	<p>5</p> <p> = Fibre</p> <p>Total no. = 1</p>
<p>6</p> <p>Total no. = 1</p>	<p>7</p> <p>Total no. = 1</p>	<p>8</p> <p>Total no. = 1</p>	<p>9</p> <p>Total no. = 1</p>	

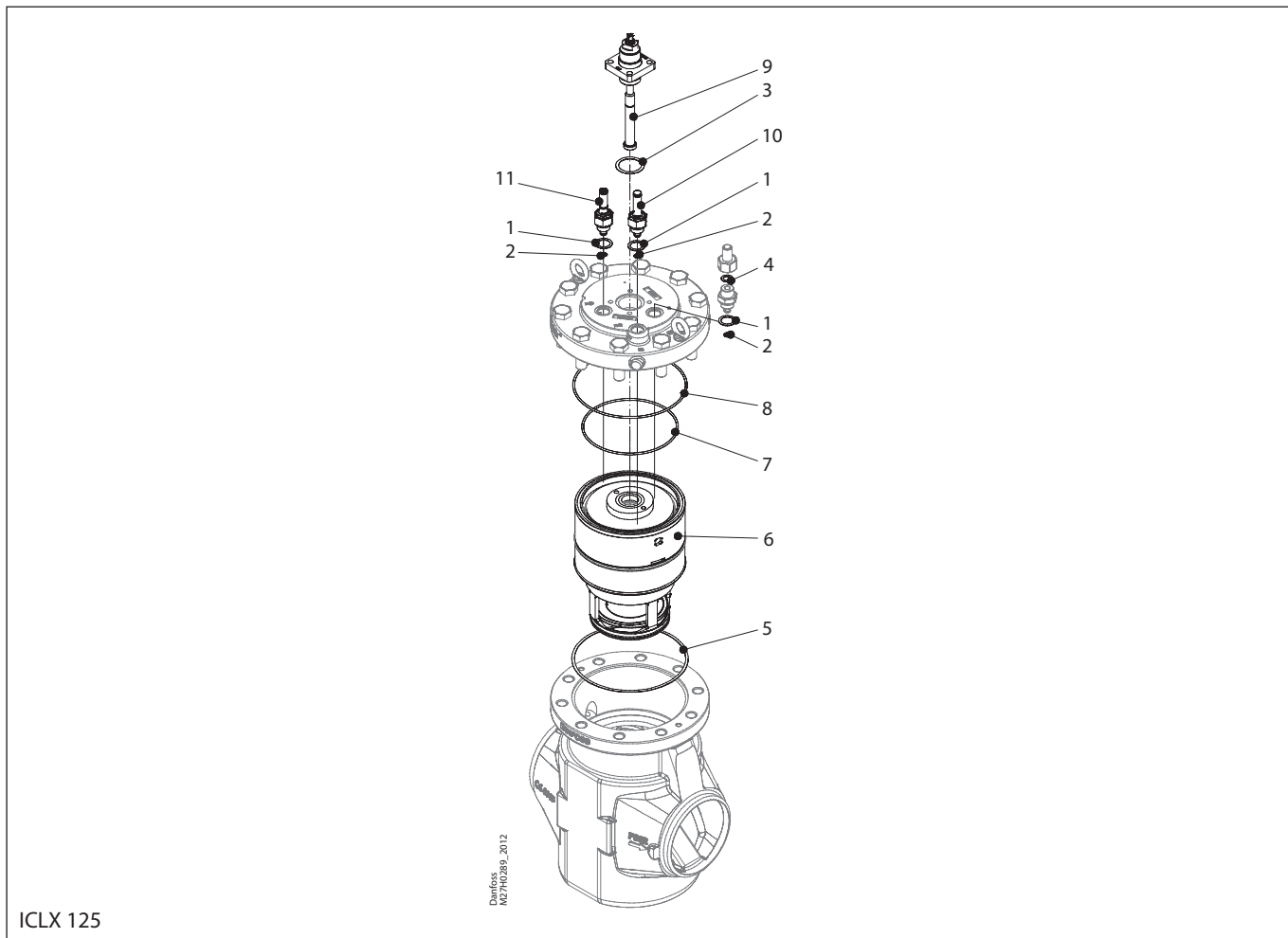
Overhaul kit | Code number 027H7221
ICLX, size 100



ICLX 100

<p>1</p> <p> = Fibre</p> <p></p> <p>Total no. = 3</p>	<p>2</p> <p></p> <p></p> <p>Total no. = 3</p>	<p>3</p> <p> = Fibre</p> <p></p> <p>Total no. = 1</p>	<p>4</p> <p> = Alu.</p> <p></p> <p>Total no. = 1</p>	<p>5</p> <p> = Fibre</p> <p></p> <p>Total no. = 1</p>
<p>6</p> <p></p> <p>Total no. = 1</p>	<p>7</p> <p></p> <p></p> <p>Total no. = 1</p>	<p>8</p> <p></p> <p></p> <p>Total no. = 1</p>	<p>9</p> <p></p> <p>Total no. = 1</p>	<p>10</p> <p></p> <p>Total no. = 1</p>
<p>11</p> <p></p> <p>Total no. = 1</p>				

Overhaul kit | Code number 027H7222
ICLX, size 125

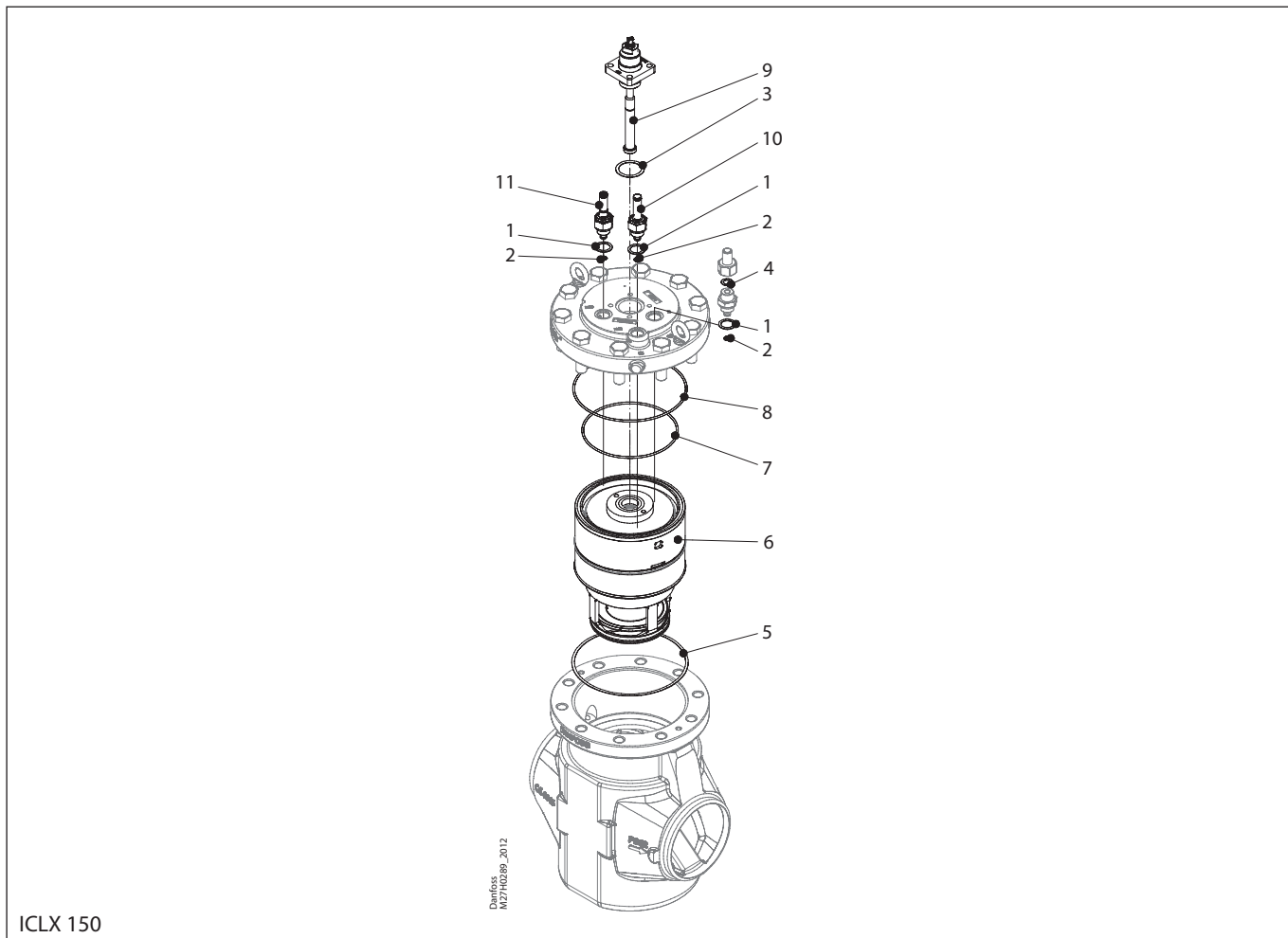


ICLX 125

Danfoss
M27H0289_2012

<p>1</p> <p> = Fibre</p> <p>Total no. = 3</p>	<p>2</p> <p>Total no. = 3</p>	<p>3</p> <p> = Fibre</p> <p>Total no. = 1</p>	<p>4</p> <p> = Alu.</p> <p>Total no. = 1</p>	<p>5</p> <p> = Fibre</p> <p>Total no. = 1</p>
<p>6</p> <p>Total no. = 1</p>	<p>7</p> <p>Total no. = 1</p>	<p>8</p> <p>Total no. = 1</p>	<p>9</p> <p>Total no. = 1</p>	<p>10</p> <p>Total no. = 1</p>
<p>11</p> <p>Total no. = 1</p>				

Overhaul kit | Code number 027H7223
ICLX, size 150



ICLX 150

<p>1</p> <p> = Fibre</p> <p></p> <p>Total no. = 3</p>	<p>2</p> <p></p> <p></p> <p>Total no. = 3</p>	<p>3</p> <p> = Fibre</p> <p></p> <p>Total no. = 1</p>	<p>4</p> <p> = Alu.</p> <p></p> <p>Total no. = 1</p>	<p>5</p> <p> = Fibre</p> <p></p> <p>Total no. = 1</p>
<p>6</p> <p></p> <p>Total no. = 1</p>	<p>7</p> <p></p> <p></p> <p>Total no. = 1</p>	<p>8</p> <p></p> <p></p> <p>Total no. = 1</p>	<p>9</p> <p></p> <p>Total no. = 1</p>	<p>10</p> <p></p> <p>Total no. = 1</p>
<p>11</p> <p></p> <p>Total no. = 1</p>				

Accessories for ICS pilot operated servo valve

ICV flanged valve housings

	For ICS	Description	Code number
	25	ICV 25 PM Valve housing	027H2119 *)
	32	ICV 32 PM Valve housing	027H3129 *)
	40	ICV 40 PM Valve housing	027H4128 *)
	50	ICV 50 PM Valve housing	027H5127 **)
	65	ICV 65 PM Valve housing	027H6128 **)
	25	ICV 25 (H)A4A Valve housing	027H2304 *)
	32	ICV 32 A4A Valve housing	027H3130 *)
	32	ICV 32 HA4A Valve housing	027H3131 *)
	40	ICV 40 (H)A4A Valve housing	027H4129 *)
	50	ICV 50 (H)A4A Valve housing	027H5128 **)
	65	ICV 65 (H)A4A Valve housing	027H6129 **)

*) Includes valve housing, flange gaskets and flange bolts.
 **) Includes valve housing, flange gaskets, flange bolts and flange nuts.
 Function modules and top covers must be ordered separately.

Pressure gauge connection (weld / solder).

	Description	Code number
	Ø 6.5 mm / Ø 10 mm (Ø 0.26 in. / Ø 0.39 in.) weld / solder	027B2035

Pressure gauge connection, ¼ in. flare (self-closing) Must not be used in R 717 plant.

	Description	Code number
	¼ in. flare	027B2041

Pressure gauge connection (cutting ring).

	Description	Code number
	Cutting ring connection, 6 mm	027B2063
	Cutting ring connection, 10 mm	027B2064

Pressure gauge connection.

	Description	Code number
	¼ in. flare	027B2062

External pilot connection.

	For ICS	Description	Code number
	5-80	External pilot connection (incl. damping orifice, D: 1.0 mm)	027F1048
	100-150	External pilot connection (incl. damping orifice, D: 1.8 mm)	027F1049
	5-150	Accessory bag with seal and O-ring for pilot valve	027F0666

Blanking plug for pilot valves.

	Description	Code number
	Blanking plug	027F1046

Accessories for ICS pilot operated servo valve

Multi-function tool

	For ICS	Description	Code number
	25–32	Multi-function tool	027H0180
	40–65	Multi-function tool	027H0181
The multi-funktion tool can be used for: <ul style="list-style-type: none"> • Removing the ICS function module • Operating the manual spindle 			

ICS 100–150 - Top cover complete

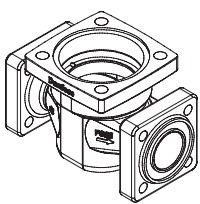
 Danfoss 27H190.10	For ICS	Description	Code number
	100	Top cover complete with manual spindle, and gasket	027H7123
	125	Top cover complete with manual spindle, and gasket	027H7143
	150	Top cover complete with manual spindle, and gasket	027H7163

Cap including gasket

	For ICS	Description	Code number
	100–150	Red cap including gasket	148B4076

Accessories for ICM Motor operated valve and ICAD Actuator

ICV flanged valve housings


	For ICS	Description	Code number
	25	ICV 25 PM Valve housing	027H2119 *)
	32	ICV 32 PM Valve housing	027H3129 *)
	40	ICV 40 PM Valve housing	027H4128 *)
	50	ICV 50 PM Valve housing	027H5127 **)
	65	ICV 65 PM Valve housing	027H6128 **)
	25	ICV 25 (H)A4A Valve housing	027H2304 *)
	32	ICV 32 A4A Valve housing	027H3130 *)
	32	ICV 32 HA4A Valve housing	027H3131 *)
	40	ICV 40 (H)A4A Valve housing	027H4129 *)
	50	ICV 50 (H)A4A Valve housing	027H5128 **)
	65	ICV 65 (H)A4A Valve housing	027H6129 **)

*) Includes valve housing, flange gaskets and flange bolts.

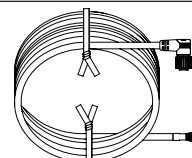
***) Includes valve housing, flange gaskets, flange bolts and flange nuts.

Function modules and top covers must be ordered separately.

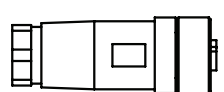
ICAD-UPS

	Description	Code number
	ICAD-UPS	027H0388

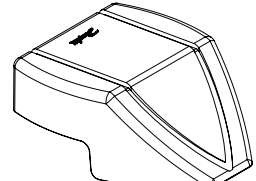
Cable for ICAD 600A/1200A

	Description	Code number
	Cable set 1.5 m, female	027H0426
	Cable set 3 m, female	027H0438
	Cable set 10 m, female	027H0427
	Cable set 15 m, female	027H0435

Connectors for ICAD 600A/1200A

	Description	Code number
	Two Female Connectors with screw terminals: - connector for power - connector for control signals	027H0430

Protection cap ICAD 600A/1200A

	Description	Code number
	Protection cap	027H0431

Accessories for ICM Motor operated valve and ICAD Actuator

Multi-function tool

	For ICM	Description	Code number
	20-32	Multi-function tool	027H0180
	40-65	Multi-function tool	027H0181
The multi-funktion tool can be used for: <ul style="list-style-type: none"> • Removing the ICS function module • Operating the manual spindle 			

ICS 100-150 - Top cover complete

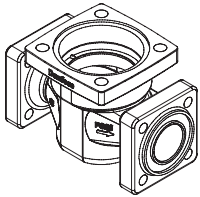
	For ICM	Description	Code number
	100	Top cover complete with magnet coupling and gasket	027H7133
	125	Top cover complete with magnet coupling and gasket	027H7153
	150	Top cover complete with magnet coupling and gasket	027H7173

Installation kit for ICAD

	For ICM	Description	Code number
	20-32	External O-rings (1 + 2) and hexagon bolts (Molykote® G-4500 grease included)	027H1207
	40-150	External O-rings (1 + 2) and hexagon bolts (Molykote® G-4500 grease included)	027H1208

Accessories for ICLX 2-step solenoid valve

ICV flanged valve housings

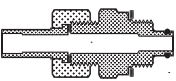
	For ICS	Description	Code number
	32	ICV 32 PM Valve housing	027H3129 *)
	40	ICV 40 PM Valve housing	027H4128 *)
	50	ICV 50 PM Valve housing	027H5127 **)
	65	ICV 65 PM Valve housing	027H6128 **)
	32	ICV 32 A4A Valve housing	027H3130 *)
	32	ICV 32 HA4A Valve housing	027H3131 *)
	40	ICV 40 (H)A4A Valve housing	027H4129 *)
	50	ICV 50 (H)A4A Valve housing	027H5128 **)
	65	ICV 65 (H)A4A Valve housing	027H6129 **)

*) Includes valve housing, flange gaskets and flange bolts.

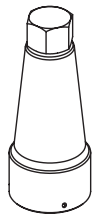
***) Includes valve housing, flange gaskets, flange bolts and flange nuts.

Function modules and top covers must be ordered separately.

External pilot connection.

 DANFOSS A27B93.1.5	For ICLX	Description	Code number
	32-80	External pilot connection (incl. damping orifice, D: 1.0 mm)	027F1048
	32-80	External pilot connection (1/4" FPT) (incl. damping orifice, D: 1.0 mm)	027B2065
	100-150	External pilot connection (incl. damping orifice, D: 1.8 mm)	027F1049
	100-150	External pilot connection (1/4" FPT) (incl. damping orifice, D: 1.8 mm)	027B2066
	5-150	Accessory bag with seal and O-ring for pilot valve	027F0666
	32-80	Damping orifice for EVM. 10 pcs, (D: 1.0 mm)	027F0664
	100-150	Damping orifice for EVM. 10 pcs, (D: 1.8 mm)	027F0176

Cap including gasket

	For ICLX	Description	Code number
	32-40	Metalic cap including gasket	148B4576
	50-100	Red cap including gasket	148B4075
	125-150	Red cap including gasket	148B4076

Danfoss A/S

Climate Solutions • danfoss.com • +45 7488 2222

Any information, including, but not limited to information on selection of product, its application or use, product design, weight, dimensions, capacity or any other technical data in product manuals, catalogues descriptions, advertisements, etc. and whether made available in writing, orally, electronically, online or via download, shall be considered informative, and is only binding if and to the extent, explicit reference is made in a quotation or order confirmation. Danfoss cannot accept any responsibility for possible errors in catalogues, brochures, videos and other material. Danfoss reserves the right to alter its products without notice. This also applies to products ordered but not delivered provided that such alterations can be made without changes to form, fit or function of the product.

All trademarks in this material are property of Danfoss A/S or Danfoss group companies. Danfoss and the Danfoss logo are trademarks of Danfoss A/S. All rights reserved.