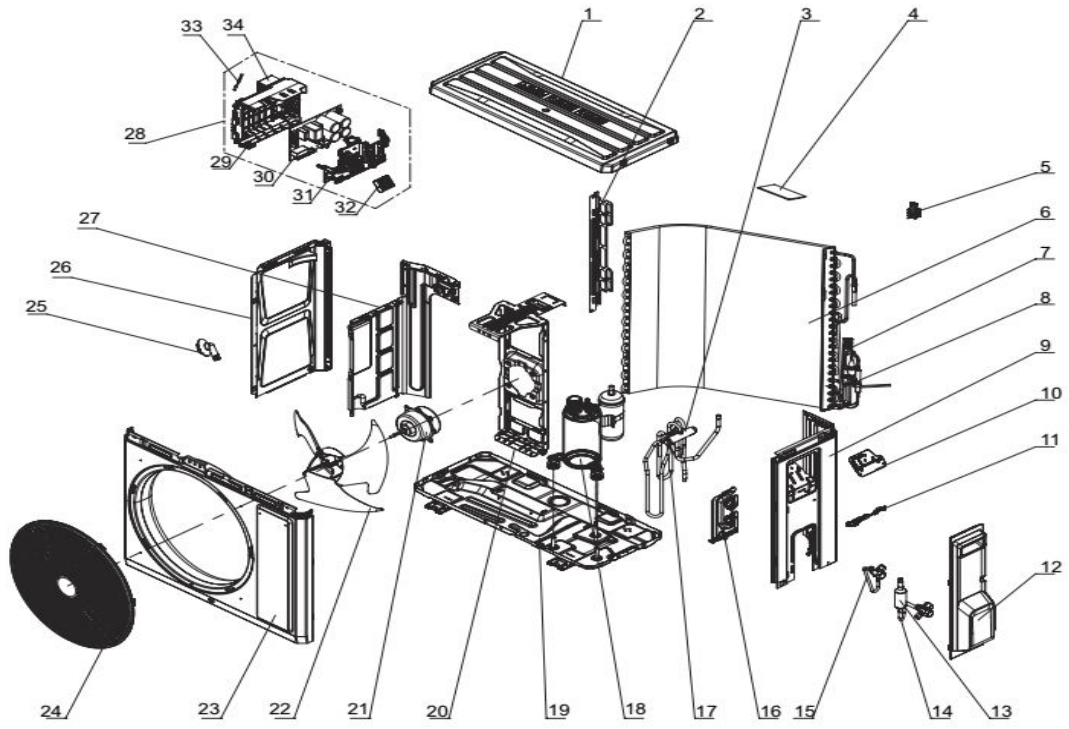


SOH-12BIK



No	Description	Part Code	Note	Qty	Price Code
MODEL: SOH-12BIK Outdoor unit					
1	Coping	01204906008701P		1	AN
2	Supporting Board(Condenser)	12072061032		1	AF
3	4-Way Valve	430004022		1	AX
4	Sponge(Condenser)	1212309101		1	AB
5	Temperature Sensor Support	24213042		1	AB
6	Condenser Assy	11002061317		1	BC
7	Capillary Sub-Assy	-			
8	Sensor Insert	42020063		1	AD
9	Right Side Plate	01205606031101P		1	AL
10	Earthing Plate Sub-assy	12002060009		1	AD
11	Wire Clamp	71010103		2	AB
12	Handle Assy	223000006		1	AF
13	Silencer	7243067		1	AG
14	Cut off Valve Sub-Assy	3005706023901		1	AM
15	Cut off Valve Assy 1/4 (N)	7000106001501		1	AH
16	Valve Support	012044060018P		1	AF
17	4-Way Valve Assy	30152060486		1	AU
18	Compressor and Fittings	9001060497		1	BG
19	Chassis Sub-assy	017000060511P		1	AR
20	Motor Support	1204806011103		1	AK
21	Brushless DC Motor	1501308517		1	AV
22	Axial Flow Fan	10333428		1	AG
23	Cabinet	012022060007P		1	AS
24	Front Grill	200057060007		1	AG
25	Drainage Joint	26113009		1	AD
26	Left Side Plate	012055060256P		1	AK
27	Clapboard Sub-Assy	17021060544		1	AK
28	Electric Box Assy	100002070121		1	BF
29	Reactor	-			
30	Main Board	300027061376		1	BD
31	Electric Box Cover	200082060058		1	AE
32	Terminal Board	422000060016		1	AH
33	Temperature Sensor	3900030907		1	AK
34	Radiator	430034060108		1	AL
/	Temp Sensor Sleeving	5212423		1	AC
/	Strainer A	7210022		1	AE

The data are subject to change without notice.