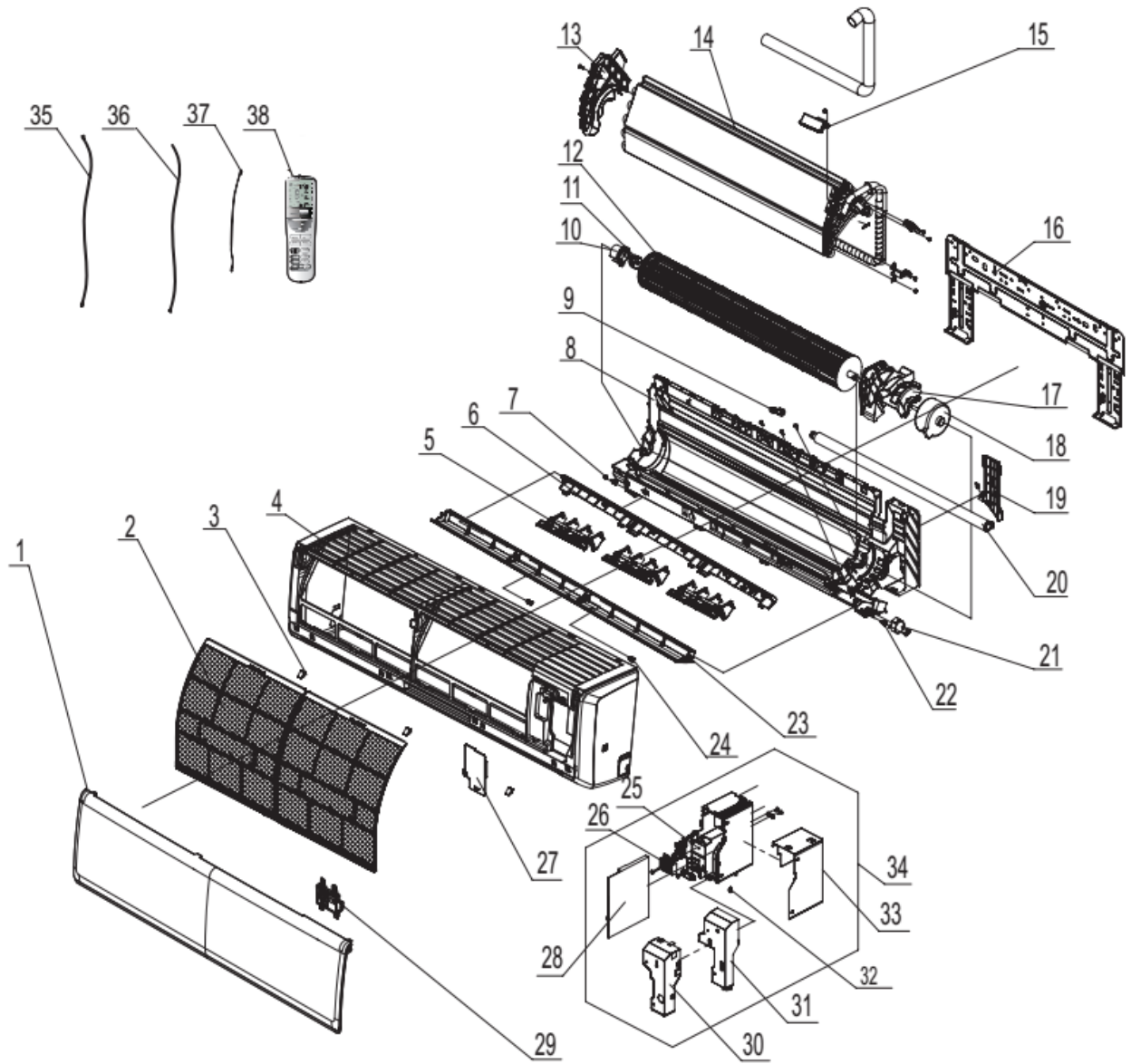


SIH-24BIK



No	Description	Part Code	Note	Qty	Price Code
MODEL: SIH-24BIK indoor unit					
1	Front Panel	200003060198T		1	AH
2	Filter Sub-Assy	1101200703		2	AD
3	Screw Cover	24252453		3	AB
4	Front Case	200002060050		1	AR
5	Air Louver	10512744		1	AB
6	Helicoid Tongue sub-assy	26112384		1	AE
7	Left Axile Bush	10512037		1	AB
8	Rear Case assy	000001000040		1	AX
9	Rubber Plug (Water Tray)	76712012		1	AC
10	Ring of Bearing	26152025		1	AC
11	O-Gasket sub-assy of Bearing	76512051		1	AC
12	Cross Flow Fan	10352057		1	AP
13	Evaporator Support	24212178		1	AD
14	Evaporator Assy	011001060959		1	BH
15	Cold Plasma Generator	1114001602		1	AP
16	Wall Mounting Frame	01252229		1	AK
17	Motor Press Plate	26112515		1	AE
18	Fan Motor	15012145		1	AZ
19	Connecting pipe clamp	26112514		1	AB
20	Drainage Hose	0523001405		1	AD
21	Stepping Motor	1521240210		1	AG
22	Crank	73012005		1	AB
23	Guide Louver	200004060101		1	AG
24	Axile Bush	10542036		2	AB
25	Electric Box	2011221105		1	AF
26	Terminal Board	42011233		1	AE
27	Electric Box Cover2	20112210		1	AC
28	Main Board	300002062433		1	AV
29	Display Board	300001000037		1	AL
30	Shield Cover of Electric Box	01592176		1	AD
31	Electric Box Cover	20112209		1	AD
32	Jumper	4202021916		1	AA
33	Lower Shield of Electric Box	01592139		1	AE
34	Electric Box Assy	100002073225		1	
35	Connecting Cable	4002052317		0	AM
36	Connecting Cable	-		0	
37	Temperature Sensor	3900031302		1	AE
38	Remote Controller	305001000078		1	AT
-	L+R stepp motor	1521210704		1	AG
-	Wi-Fi module	30110144		1	AW
-	SAF-OPWC4	053511000000890			
-	SAF-OPWA4	053511000000895			

The data are subject to change without notice.