



REFRIGERATION AND
AIR CONDITIONING

Instructions

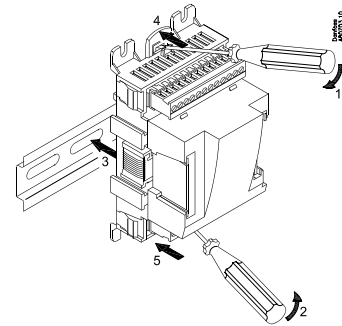
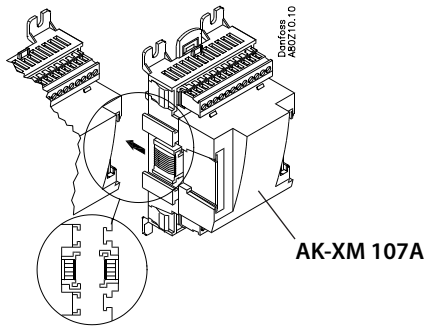
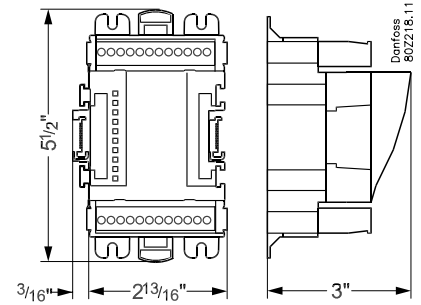
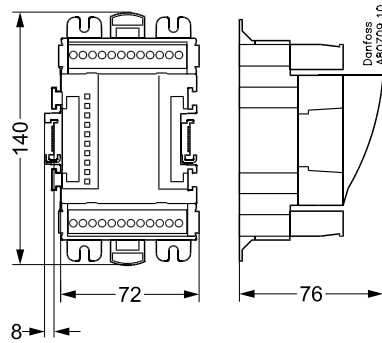
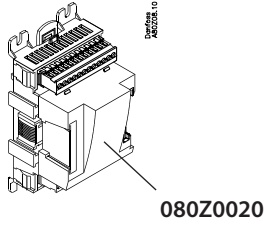
Pulse module AK-XM 107A



080R9241



R18KE402



CE

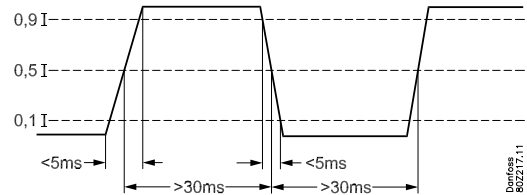
-20° t_{amb} <math>< 55^{\circ}\text{C}</math>
 -0° <math>F < t_{amb}</math> <math>< 130^{\circ}\text{F}</math>
 0 - 95% RH, non condensing
 IP10 / VBG4

DIN 43864
 S01 interface



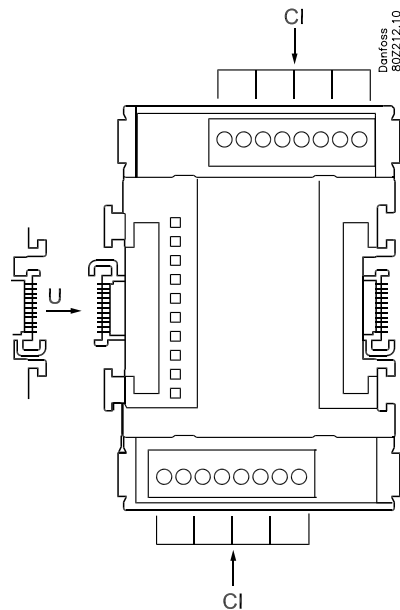
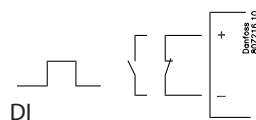
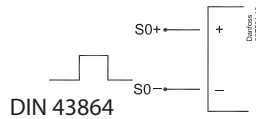
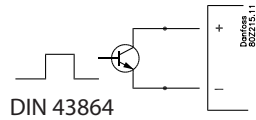
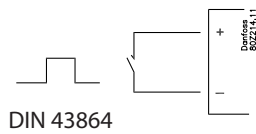
Warning

Ensure power is
 disconnected before
 adding or removing
 Modules

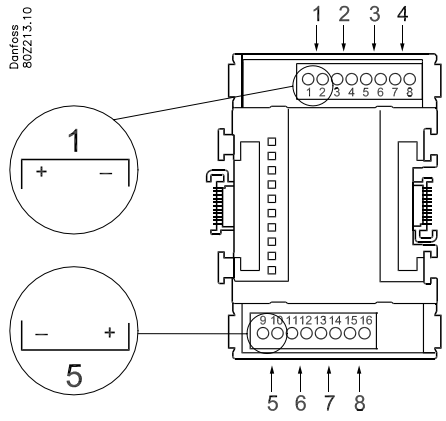


DIN 43864

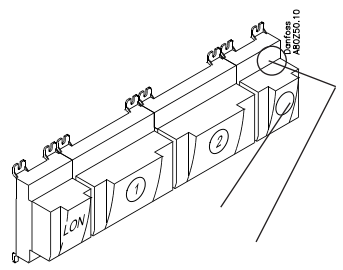
CI x 8



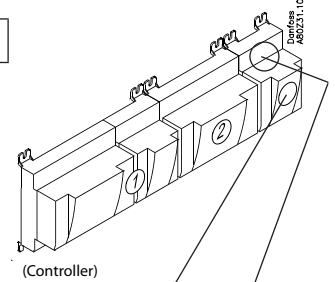
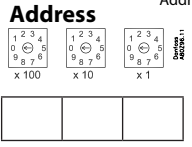
Point



	Signal	Active at
CI 	Pulse	—
DI (On/off) 	On/ Off Ext.Main Switch Day/ Night Door	Closed / Open



(Communication module)
Address = 0 _ _



(Controller)

Signal	Active at	Module	Point	Terminals
			1 (CI 1)	1 - 2
			2 (CI 2)	3 - 4
			3 (CI 3)	5 - 6
			4 (CI 4)	7 - 8
			5 (CI 5)	9 - 10
			6 (CI 6)	11 - 12
			7 (CI 7)	13 - 14
			8 (CI 8)	15 - 16

The Product contains electrical components.
 The Product must be disposed of as electronic waste.
 Equipment must be separate collected with Electrical and Elec-
 tronic waste. According to Local and currently valid legislation.

