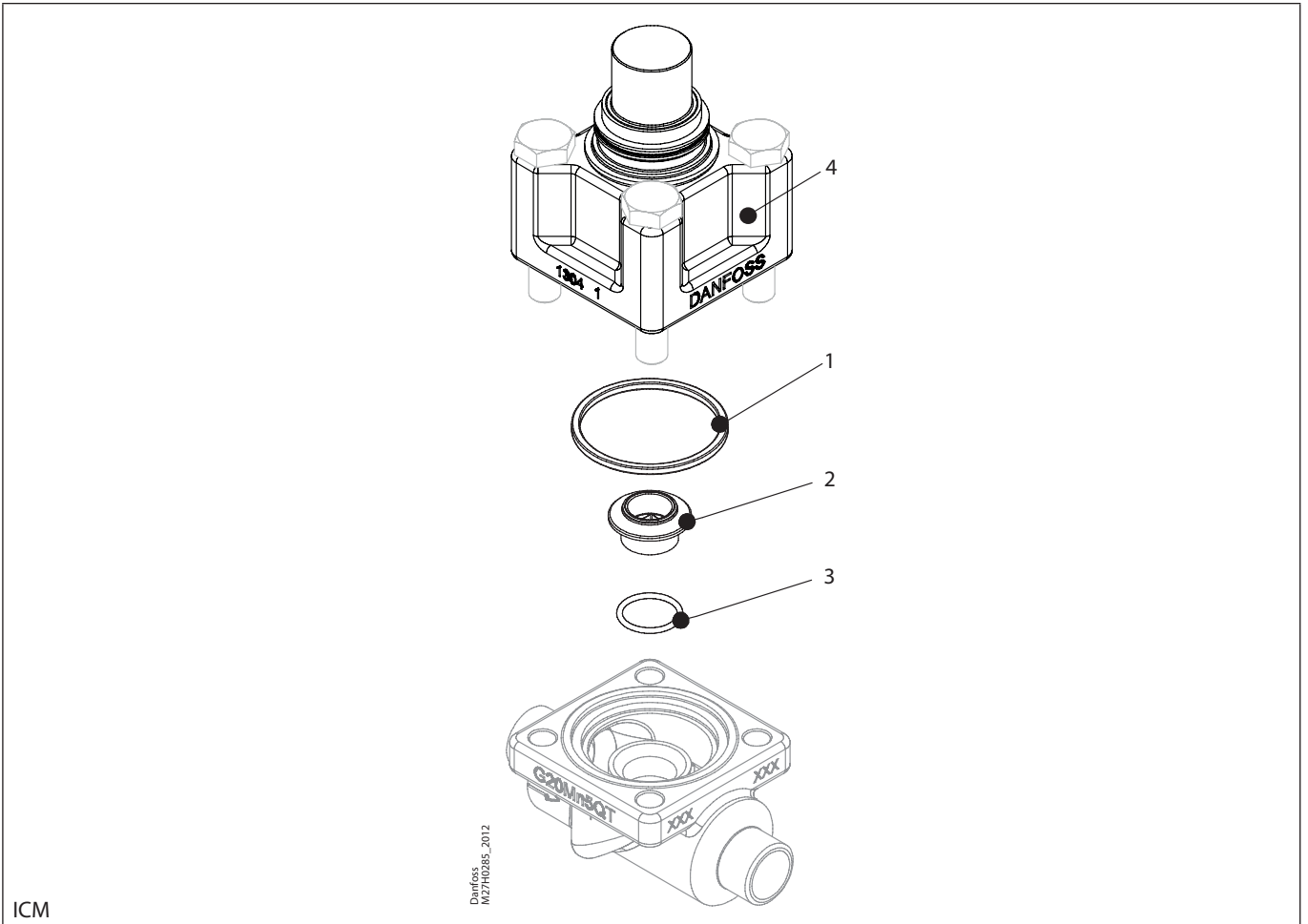


Installation guide – Spare parts and accessories

Overhaul kit | Code number 027H1180
 ICM, size 20A



ICM

Danfoss
 M27H0285_2012

<p>1</p> <p>Total no. = 1</p>	<p>2</p> <p>Total no. = 1</p>	<p>3</p> <p>Total no. = 1</p>	<p>4</p> <p>Cone type A: Total no. = 1</p>
--------------------------------------	--------------------------------------	--------------------------------------	--