



plastic hanger

This dual stud size clamping system will fit securely to both M8 and M10 studding.



Channel



Rod



Surface

KEY FEATURES

- Easy installation
- Fits on both M8 and M10 studding
- Avoids the need for cable tray
- Adjustable clipping mechanism

SPECIFICATIONS

Materials of construction	Nylon
Max. temp	70°C
Max. rec. distance per clip	1.2m

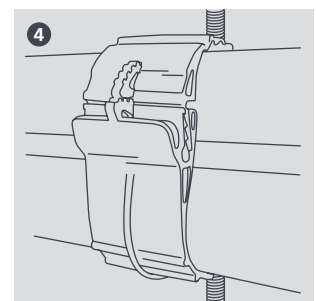
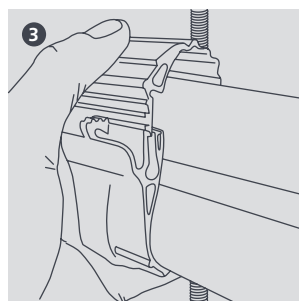
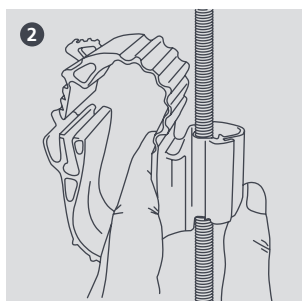
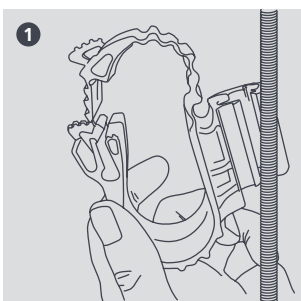
SIZING OPTIONS

Description	Liquid*	Gas*	Rod Fitting Size	Part No.	Pack Qty
P2	3/8"	5/8"	8-10mm drop	B6543	5
P3	1/2"	7/8"	8-10mm drop	B6544	5
P4	5/8"	1 1/8"	8-10mm drop	B6545	5
P2	3/8"	5/8"	6-8mm drop	B6715	5
P3	1/2"	7/8"	6-8mm drop	B6716	5
P4	5/8"	1 1/8"	6-8mm drop	B6717	5

* Approximate pipe sizes (allowing for insulation)



For further details please refer to our website aspenpumps.com/xtra



Information correct at time of going to press.