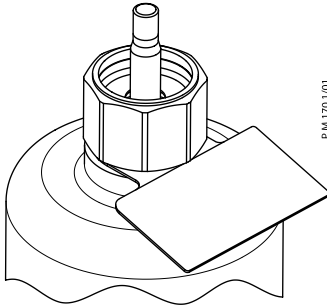


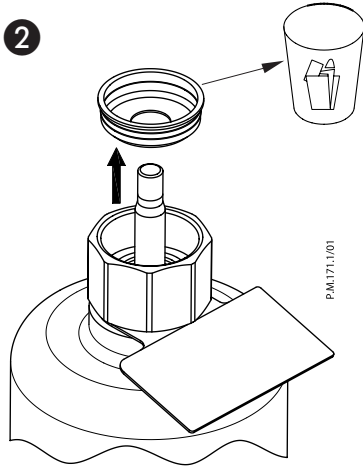
Installation Guide

Accessories V21D28

1



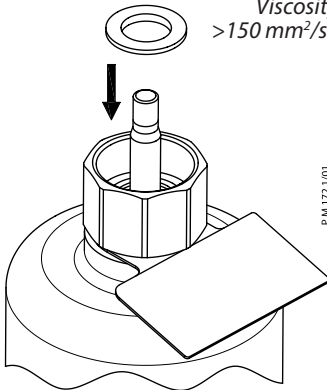
2



3 (A)



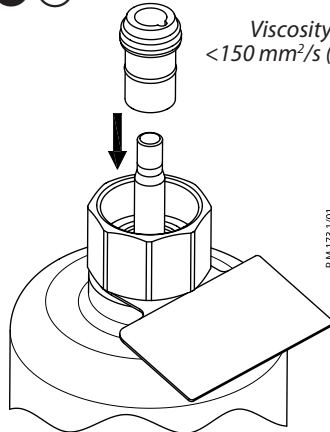
Viscosity:
 $>150 \text{ mm}^2/\text{s}$ (=cSt)



3 (B)



Viscosity:
 $<150 \text{ mm}^2/\text{s}$ (=cSt)



Installation Guide Accessories V21D28
