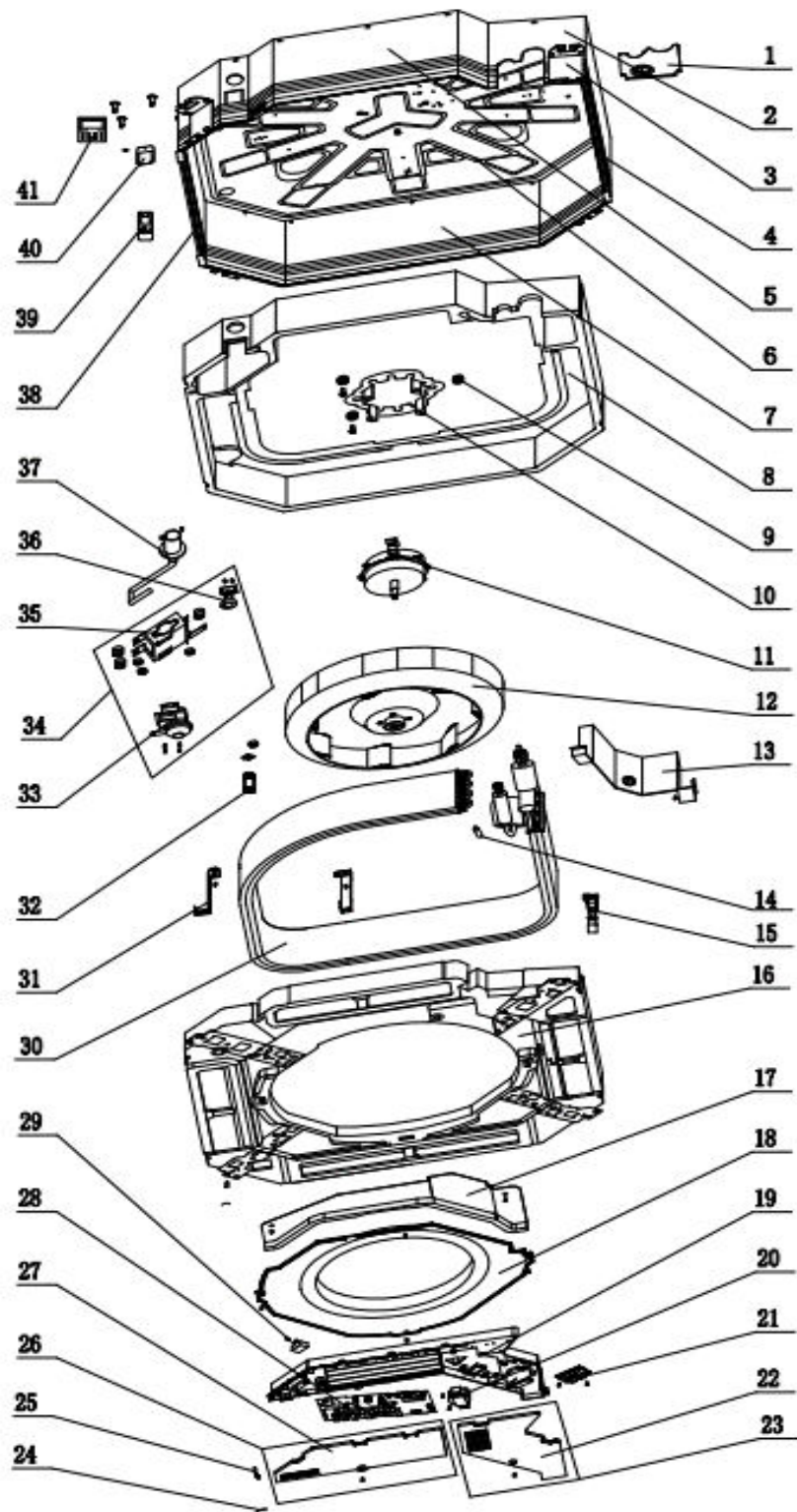


MV-C24BI



| No                     | Description                      | Part Code        | Note | Qty | Price Code |
|------------------------|----------------------------------|------------------|------|-----|------------|
| <b>MODEL: MV-C24BI</b> |                                  |                  |      |     |            |
| 1                      | Tube Exit Plate Assy             | 01382715         |      | 1   | AE         |
| 2                      | Shell Assy                       | 01432703         |      | 1   | BC         |
| 3                      | Body Installing Plate            | 01332701         |      | 4   | AC         |
| 4                      | Front Side Plate Assy            | 01302718         |      | 1   | AP         |
| 5                      | Left Side Plate Assy             | 01302715         |      | 1   | AK         |
| 6                      | Base Plate Assy                  | 01222701         |      | 1   | AX         |
| 7                      | Rear Side Plate Assy             | 01302714         |      | 1   | AP         |
| 8                      | Bottom Foam Assy                 | 52012722         |      | 1   | AR         |
| 9                      | Motor Gasket                     | 76712711         |      | 4   | AC         |
| 10                     | Motor support                    | none             |      | 0   | -          |
| 11                     | Fan Motor                        | 1570940000401    |      | 1   | -          |
| 12                     | Centrifugal Fan                  | 10312705         |      | 1   | AX         |
| 13                     | Connected Board Assy of Evaporat | 01074042         |      | 1   | AG         |
| 14                     | Filter Sub-Assy                  | none             |      | 0   | -          |
| 15                     | Drain Hose Sub-Assy              | 05339400001      |      | 1   | AG         |
| 16                     | Water Tray Assy                  | 000069000104     |      | 1   | AY         |
| 17                     | Electric Base Plate              | 01412721         |      | 1   | AK         |
| 18                     | Diversion Circle                 | 10372701         |      | 1   | AH         |
| 19                     | Electric Box Assy                | 100002060082     |      | 1   | -          |
| 20                     | Transformer                      | none             |      | 0   | -          |
| 21                     | Terminal Board                   | 420001000002     |      | 1   | AF         |
| 22                     | Electric Box Cover               | 0142410004801A   |      | 1   | AL         |
| 23                     | Electric Box Cover Sub-Assy1     | none             |      | 0   | -          |
| 24                     | Temperature Sensor               | 390001921G       |      | 1   | AD         |
| 25                     | Room Sensor                      | 390001911        |      | 1   | AD         |
| 26                     | Electric Box Cover Sub-Assy2     | none             |      | 0   | -          |
| 27                     | Electric Box Cover II            | none             |      | 0   | -          |
| 28                     | Main Board                       | 300002060012     |      | 1   | AY         |
| 29                     | Capacitor CBB61                  | none             |      | 0   | -          |
| 30                     | Evaporator Assy                  | 011001060292     |      | 1   | -          |
| 31                     | Evaporator Support Assy          | 01072703         |      | 2   | AD         |
| 32                     | Magnetic Ring                    | 49010104         |      | 1   | AC         |
| 33                     | Water Pump                       | 43138000058      |      | 1   | AX         |
| 34                     | Water Pump Assy                  | 154094000009     |      | 1   | BA         |
| 35                     | Pump Support                     | none             |      | 0   | -          |
| 36                     | Water Level Switch               | 45020216         |      | 1   | AQ         |
| 37                     | Pump Drainpipe                   | 269094000068     |      | 1   | AG         |
| 38                     | Right Side Plate Assy            | 01302716         |      | 1   | AK         |
| 39                     | Remote Controller                | 305100491_L41851 |      | 1   | AT         |
| 40                     | Pump Cover Board Assy            | 01252713         |      | 1   | AC         |
| 41                     | Display Board                    | 30564103_L41851  |      | 1   | BF         |
|                        | Jumper                           | 4202021903       |      |     |            |
|                        |                                  |                  |      |     |            |
|                        |                                  |                  |      |     |            |

The data are subject to change without notice.