

# INSTRUCTIONS



**RL-2**



**RL-4**



**RL-8**

## **Instruction Manual**

REFCO Rotary vane vacuum pumps

## **Bedienungsanleitung**

REFCO Drehschieber-Vakuumpumpen

## **Mode d'emploi**

Pompes à vide à palettes REFCO

## **Istruzioni per l'uso**

Pompa a vuoto a palette REFCO

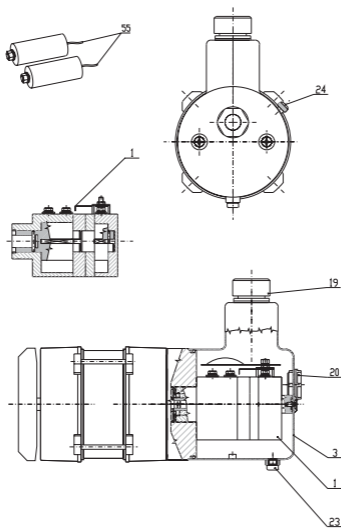
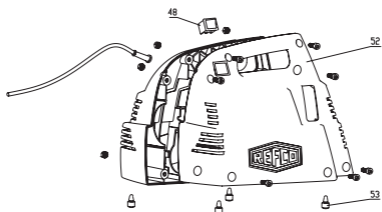
## **Manual de instrucciones**

Bomba de vacío de paletas rotativas REFCO

HVAC/R  
Service Products



**Exploded view / Explosionszeichnung / Dessin d'explosion / Esploso / Dibujo de despiece**



## RL vacuum pumps

Thank you for choosing a REFCO vacuum pump. We are proud of each and every REFCO product and are dedicated to ensuring our products always perform reliably.

The design of the vacuum pump ensures that the requirements of the relevant CE directives and standards are fulfilled.

Reading the following operating instructions thoroughly and following our recommendations will give you important information for the smooth operation and maintenance of your pump and help to prolong its lifespan.

## Please observe the warning signs!

⚠ They are indicated by this symbol: This international symbol warns of hazards which could lead to serious injury or material damages.

### Contents

Important safety notices.....	3
Use of the pump.....	4
Set up operation/transport.....	4, 5
Electric data.....	5
Technical description.....	5
Contents of delivery of standard execution RL-2, RL-4, RL-8.....	5
Other accessories.....	5
Note.....	5, 6
Service/Oil change.....	6
Trouble shooting.....	7
Warranty.....	8
Technical data.....	8
Spare parts.....	2, 8, 9
Environmental issues.....	9

## Important safety notices

⚠ **Before working with the vacuum pump, please read the instruction manual carefully. This manual contains important information regarding the smooth operation, maintenance and disposal of the vacuum pump.**

⚠ **The vacuum pump should only be operated on a fused power supply and must be correctly earthed.** If the mains cable is damaged or cut through during operation, do not touch the cable and unplug the mains plug immediately. The device should never be used with a damaged cable.

⚠ **REFCO products have been specially designed and manufactured for use by trained refrigeration installation engineers. Because of the high pressures and the chemical and physical gases used in refrigeration systems, REFCO cannot be held responsible or liable for any accidents, injuries or deaths arising from the use of their products.**

**REFCO explicitly states that their products must only be sold to professionally-trained experts.**

## Use of the pump

The REFCO vacuum pumps have been especially designed and manufactured for the evacuation of closed vessels and units in the field of refrigeration and air-conditioning. The pump must always be operated by a qualified professional technician!

- ⚠ This pump should only be operated by qualified personnel. Suitable protective equipment like gloves, goggles and safety footwear should be worn when working with refrigeration systems.



- ⚠ The vacuum pump should not be exposed to rain, or used in wet or damp conditions.
- ⚠ The vacuum pump **must only be used** in the field of refrigeration and air-conditioning and must not be used, built in or mounted into other appliances and applications.
- ⚠ The vacuum pump **must not be used** as a compressor or to build up pressure with air or other gases.
- ⚠ The vacuum pump **must not be operated** in flammable environments or places where explosive gas could be present.
- ⚠ The vacuum pump must not be used in connection with aggressive liquids and gases such as i.e. ammonia or pure oxygen which could cause damage to parts and components of the pump.
- ⚠ Combustible refrigerants such as i.e. R600a, R600, R290, must be vented through the exhaust to the outside of buildings by means of a venting hose (see accessories).
- ⚠ The vacuum pump **must not be used** to pump liquids such as i.e. water, fuels, oils, beverages, other liquid food, liquid refuse or faeces.

## Set up operation/transport

The vacuum pumps supplied without electrical plug must be equipped with an electrical triple-pole plug according to the norms and regulations of the country where the vacuum pump will be used. The plug must be fitted by a trained professional. The electrical power supply, with which the vacuum pump will be run, must be in accordance with the voltage and frequency indicated on the rating plate of the vacuum pump. The vacuum pump must only be connected to a fused electric installation.

The vacuum pump is supplied without oil filling. The yellow oil plug must be removed and after filling replaced by the oil mist filter (Pos. 19). The provided oil (DV-44/DV-45) must be filled to half level of the oil sight glass (Pos. 20).

- ⚠ Only fill oil up to half level of the oil sight glass. Refit the oil mist filter (Pos. 19) after filling.
- ⚠ Remove the flare cap from the intake port to start the pump (with model RL-8 also turn the ball valve to open position). Connect the charging hose to the intake port as soon as the pump motor reaches full speed.
- ⚠ Running the pump without being connected to a system and pulling vacuum will result in extensive exhaust of oil mist through the oil mist filter.

- △ Carry the vacuum pump on the designated handle only.
- △ Keep the pump levelled and secured during transport to avoid oil spillage. Oil spillage could cause damage to the electric motor.

## Electric data

The electric data is mentioned under „technical data“ on page 8 of this manual.

## Technical description

The REFCO vacuum pumps RL-2, RL-4, RL-8 are rotary vane type vacuum pumps. The pump is cooled internally by a mechanical impeller during operation. A fitted oil mist filter allows oil back flow into the oil circulation system of the pump head. The gas ballast valve prevents the build-up of condensation inside the oil box and the pump head. The motor is protected by a thermocouple which turns the pump off automatically if overheated.

- △ Caution! The motor will restart automatically after a cooling period of approximately 20 minutes.

## Contents of delivery of standard execution RL-2, RL-4, RL-8

- Vacuum pump oil DV-44/DV-45
- Multilingual instructions of use

The RL-8 is in addition equipped with a ball valve to isolate the pump from a system.

- △ The pumps are supplied without oil filling. The must be filled with the oil provided prior to the first operation.

**Option:** Intake port with anti-back flow to prevent oil sucks back in case of an accidental shut off of the pump or power cut.

Intake port **with** back flow prevention:

For RL-2:	RL-2-307-RS	4663786
For RL-4:	RL-4-307-RS	4663336
For RL-8:	RL-8-307-RS	4664244

## Other accessories

Vacuum gauge with ball valve:

For vacuum pumps RL-2, RL-4, RL-8:      RL-VAC      4663981

Special hose to vent combustible refrigerant from closed environments:

Available for RL-2, RL-4:      10859-CL-197-Y-SP      9881865

## Note

Please note the minimal operating temperatures for the vacuum pumps are described under „technical data“ on page 8 of this manual. If the environmental temperatures are below the minimal rates the pump may take several seconds or minutes until the motor runs on full speed and the pump can develop its full capacity.

- ⚠ Always turn off and disconnect power before moving or servicing the REFCO vacuum pumps.
- ⚠ The vacuum pump and especially the front cover can reach **temperatures of up to 70°C (160°F)** during operation.

Check the appropriate oil level (half level of sight glass) and make sure that there is enough oil. Should the oil be cloudy, dark or contaminated, or should the oil level have increased without refilling, change the oil immediately.

Ensure that the air intake of the impeller fan at the back of the pump is not covered with any objects or cloths etc. Preventing the air flow through the pump can lead to an automatic motor shut off by the thermo couple.

⚠ **Caution! Automatic restart after cooling time of approx. 20 minutes.**

## Service/Oil change

The main service point of a vacuum pump is the oil. Vacuum pump oil must be changed at least after every 20 hours of service or whenever the oil in the sight glass is cloudy or dark. The oil must be changed immediately after an evacuation of a heavily contaminated system. Residue of moist/water in the oil may cause corrosion and damage to the vacuum pump.

⚠ Contaminated oil may damage the vacuum pump.

### Change of oil

- Run the pump until operating temperature has been reached. Turn the pump off and disconnect from mains.
- Unscrew the oil mist filter (Pos. 19)
- Drain oil through drain plug (RL-4/RL-8 Pos. 23) or through opening for oil mist filter (model RL-2 does not have an oil drainage plug and the oil must be drained through opening of oil mist filter).
- Connect pump to the mains again and turn on. Let the pump run for 10-15 seconds with open intake port in order to drain oil residue in the pump head.
- Turn the pump off and disconnect from the mains.
- Drain possible oil residue.
- Remount oil drain plug (Pos. 23).
- Refill with oil to half level of sight glass.
- Refit oil mist filter (Pos. 19). Let the pump run for a few seconds.

⚠ If the oil has been strongly contaminated the oil change procedure must be repeated after a run time of 30 minutes in order to assure that all waste particles inside the pump have been washed out with the oil.

In order to achieve best performance with the REFCO vacuum pumps only use REFCO oils DV-44, DV-45, DV-46, DV-48 or REFCO ester oil.

⚠ Waste oil must be disposed of according to the rules and regulations which apply in the country of use of the pump.

Further service work than oil change has to be executed by a specialised company.

## Trouble shooting

Condition	Possible problem	Solution	
Pump does not run on full speed	Oil temperature too low	Put the pump in warmer environment/room	
	Unsuitable oil - too thick	Change with REFCO oil	
	Pump dirty	Change oil	
	Motor winding defective	Call customer service	
	The connection cable is too long	Use a shorter connection cable	
Motor does not start at all	Supply voltage is too low	Pump is designed to work at +/- 10% of the supply voltage	
	Defective capacitor	Change capacitor Call customer service	
	Switch defective	Replace switch	
	Motor too hot	Let it cool down	
Motor drones but does not run, Pump locked up	Cable defective	Replace cable	
	Oil heavily contaminated	Change pump head Call customer service	
	Broken clutch pin	Call customer service	
Motor runs ⇒ no performance			
Oil spillage on oil mist filter	Pump overfilled with oil	Adjust oil to half level of sight glass, drain additional oil	
Extensive oil mist from oil mist filter	Pump pressure = atmospheric pressure	Oil mist will disappear as soon as a certain vacuum has been reached	
Oil not visible in sight glass	Not enough oil in pump	Top up with oil	
Oil cloudy or dark	Contaminated oil	Change oil	
Not enough vacuum	Gas ballast open	Close gas ballast valve Call customer service	
	Loose cap on intake port	Screw the cap on tightly	
	O-ring in the intake port cap is faulty	Replace O-ring	
	Oil level too low	Refill oil	
	Oil is muddy (cloudy) or contaminated	Change oil	
	Pipe leaking	Check pipe, seal it	
	Pump is worn out after lengthy use	Repair or replace pump	
	Motor noisy	Bearings worn out	Call customer service
		Defective fan impeller	Change impeller
	Pump loses oil	Defective ventilator	Replace ventilator
Leaking gasket of oil box		Change O-ring	
Oil draining screw leaking		Replace oil draining screw	
Leaking gasket of sight glass		Change sight glass	
Leaking gaskets box screws		Change gaskets of oil of screws	
	Leaking shaft seals	Call customer service	

## Warranty

REFCO grants a 24 month warranty period. Damage caused due to improper use, lack of service as described in this manual, use of the pump for other applications as the designated ones, use of unsuitable vacuum pump oil or opening and dismantling the pump during warranty period by the user will lead to loss of warranty. For repairs during the warranty period the vacuum pump must be returned to the seller at owners cost.

Technical data			RL-2	RL-4	RL-8
Capacity	l/min	(cfm)	35 (1.25)	65 (2.3)	150 (5.3)
End vacuum with closed gas ballast valve (at 20°C)			0.02 mbar (15 microns)		
Minimal oil temperature for motor start up			+5°C	+5°C	+2°C
Intake port	SAE		1/4"	1/4"+3/8"	1/4"+3/8"
Gas ballast			Yes	Yes	Yes
Oil mist filter			Yes	Yes	Yes
Oil back flow prevention			optional	optional	optional
Oil capacity	ml		125	250	500
Sound pressure level emissions LpA			LpA ≤ 70dB (A)		
Power supply			220/240V @50/60Hz		
Motor	KW/Umin		0.16/2400	0.19/2400	0.37/2800
Measurements	(LxWxH) mm		271x167x195	301x152x204	360x220x250
Weight	kg		3.800	5.560	11.800

## Spare parts

Pos.	Reference	Description	Part No.
------	-----------	-------------	----------

### Spare parts for RL-2

3.....	RL-2-3000	Oil box complete with gaskets.....	4661589
20.....	RL-2-3011	Oil sight glass complete.....	4661597
19.....	RL-4-303	Oil mist filter complete.....	4495471
24.....	RL-2/4-3060	Gas ballast valve complete.....	4661423
53.....	RL-8-4071	Rubber pads (4 pcs).....	4507631
55.....	RL-2-406	Capacitor.....	4661075
48.....	RL-4-415	On-Off switch.....	4496770
52.....	RL-2-4000	Housing complete (2 parts).....	4661538
1.....	RL-2-2A	Vacuum stage overhauled complete with gasket in exchange..	4661482
1.....	RL-2-2A	Vacuum stage overhauled complete with gasket without exchange.....	4661482
.....	RL-1-1000	Gasket set.....	4668419

### Spare parts for RL-4

3.....	RL-4-3000	Oil box complete with gaskets.....	4507674
20.....	RL-4-3011	Oil sight glass complete.....	4507682
23.....	RL-4-310	Oil drain plug with gasket.....	4496761
19.....	RL-4-303	Oil mist filter complete.....	4495471
24.....	RL-2/4-3060	Gas ballast valve complete.....	4661423
53.....	RL-8-4071	Rubber pads (4 pcs).....	4507631



Pos.	Reference	Description	Part No.
55.....	RL-4-406.....	Capacitor.....	4661066
48.....	RL-4-415.....	On-Off switch.....	4496770
52.....	RL-4-4000.....	Housing complete (2 parts).....	4661474
1.....	RL-4-2A.....	Vacuum stage overhauled complete with gasket in exchange..	4661954
1	RL-4-2A	Vacuum stage overhauled complete with gasket without exchange.....	4661954
.....	RL-4-1000....	Gasket set.....	4668427

### Spare Parts for RL-8

3.....	RL-8-3000....	Oil box complete with gaskets.....	4507607
20.....	RL-8-3011....	Oil sight glass complete.....	4507615
23.....	RL-4-310.....	Oil drain plug with gasket.....	4496761
19.....	RL-8-303.....	Oil mist filter complete.....	4507445
24.....	RL-8-3060....	Gas ballast valve complete.....	4507623
53.....	RL-8-4071....	Rubber pads (4 pcs).....	4507631
55.....	RL-8-426.....	Capacitor.....	4507470
48.....	RL-4-415.....	On-Off switch.....	4496770
52.....	RL-8-4000.....	Housing complete (2 parts).....	4507640
1.....	RL-8-2A.....	Vacuum stage overhauled complete with gasket in exchange..	4507658
1.....	RL-8-2A.....	Vacuum stage overhauled complete with gasket without exchange.....	4507658
.....	RL-8-1000....	Gasket set.....	4668436

### Spare Parts

⇒ To avoid damage or reduced pump performance, please make sure to use the appropriate REFCO replacement parts and components. Please indicate pump type and serial number (see name-plate) when ordering spare parts.

### Environmental issues

The vacuum pump has been developed for long term use. REFCO takes energy saving and environmental impact into account when procuring materials and manufacturing its products.

REFCO Manufacturing Ltd. feels responsible for all its products throughout their entire lifespan and has therefore been certified in accordance with DIN EN ISO 14001 : 2004.

When decommissioning the device, users should observe the disposal regulations applicable in their country.

Oil and other components must be disposed of in an environmentally-friendly manner.

## RL-Vakuumpumpen

Danke, dass Sie sich für eine REFCO Vakuumpumpe entschieden haben. Wir sind stolz auf jedes REFCO-Produkt und garantieren Ihnen unser ständiges Interesse an die zuverlässige Funktion unserer Produkte.

Die Vakuumpumpe wurde so konzipiert, dass die Anforderungen der CE-Richtlinien und Normen erfüllt werden.

Gründliches Lesen der folgenden Betriebsanleitung und Befolgen unserer Vorschläge gibt Ihnen wichtige Hinweise für den reibungslosen Betrieb, den Unterhalt und hilft die Lebensdauer der gewählten Pumpe zu verlängern.

## Beachten Sie die Warnhinweise!

- ⚠ Sie sind durch dieses Symbol gekennzeichnet:  
Dieses internationale Symbol soll vor Gefahren warnen, die zu schweren Verletzungen oder zu Sachschäden führen können.

### Inhaltsverzeichnis

Wichtiger Hinweis .....	10
Verwendung/Einsatz.....	11
Inbetriebnahme/Transport.....	11, 12
Elektrische Daten.....	12
Technische Beschreibung .....	12
Lieferumfang/Standardausführung RL-2, RL-4, RL-8 .....	12
Zubehör .....	12
Gebrauch .....	12, 13
Wartung/Ölwechsel .....	13
Behebung von Störungen .....	14
Garantie.....	15
Technische Angaben .....	15
Ersatzteile.....	2, 15, 16
Zum Thema Umwelt .....	16

## Wichtiger Hinweis

- ⚠ **Bevor Sie die Arbeit mit der Vakuumpumpe aufnehmen, lesen Sie die Bedienungsanleitung aufmerksam durch. Sie gibt Ihnen wichtige Hinweise für den reibungslosen Betrieb, den Unterhalt und die Stilllegung der Vakuumpumpe.**
- ⚠ **Die Vakuumpumpe darf nur an einem abgesicherten Stromnetz betrieben werden und muss vorschriftsmässig geerdet sein.** Wird bei der Arbeit das Netzkabel beschädigt oder durchtrennt, Kabel nicht berühren und sofort den Netzstecker ziehen. Gerät niemals mit beschädigtem Kabel benutzen.
- ⚠ **REFCO-Produkte wurden speziell entwickelt und hergestellt für die Handhabung durch ausgebildete Frigoristen und Kälte-Techniker. Aufgrund der hohen Drücke sowie der chemischen und physikalischen Gase, die in Kältesystemen verwendet werden, lehnt REFCO jede Verantwortung und Haftung bei Unfällen, Verletzungen und Tod ab.**  
**REFCO weist ausdrücklich darauf hin, die Produkte ausschliesslich an professionell ausgebildete Fachleute zu verkaufen.**

## Verwendung/Einsatz

Die Vakuumpumpe ist entwickelt worden zum Evakuieren von geschlossenen Behältern und Systemen im Kälte- und Klimabereich. Die Vakuumpumpe ist für den Einsatz durch Fachleute im gewerblichen Bereich konstruiert!

⚠ Diese Pumpe darf nur von qualifiziertem Personal betrieben werden.

Bei Arbeiten an Kälteanlagen sind geeignete Schutzmittel wie Handschuhe, Schutzbrille, Schutzschuhe zu tragen.



⚠ Die Vakuumpumpe darf **nicht** dem Regen ausgesetzt, sowie nicht in feuchter oder nasser Umgebung benutzt werden.

⚠ Die Vakuumpumpe darf **nicht** in einem anderen als dem Klima-Kälte-Bereich eingesetzt, oder in eine Apparatur oder Anlage eingebaut werden!

⚠ Die Vakuumpumpe darf **nicht** als Kompressor, oder zum Druckaufbau mit Luft oder andern Gasen verwendet werden!

⚠ Die Vakuumpumpe darf **nicht** in explosiver Atmosphäre eingesetzt werden!

⚠ Aggressive, schädliche, verunreinigende Gase, reiner Sauerstoff, Ammoniak und dergleichen, welche die Stahlteile angreifen könnten, dürfen mit dieser Vakuumpumpe **nicht** abgezogen werden.

⚠ Brennbare Kältemittel, wie zum Beispiel R600a, R600, R290, müssen beim Absaugen aus Sicherheitsgründen aus Gebäuden ins Freie geleitet werden.

⚠ Die Pumpe darf **nicht** für das Absaugen von Flüssigkeiten wie Wasser, Treib- und Brennstoffe, Öle, Getränke, flüssige Nahrungsmittel für Mensch und Tier, flüssige Abfälle, Fäkalien und dergleichen verwendet werden.

## Inbetriebnahme/Transport

Bei Vakuumpumpen, welche ab Werk ohne Stecker geliefert werden, ist vor der Inbetriebnahme ein den Elektro-Vorschriften des Einsatzlandes entsprechender, 3-poliger Stecker zu montieren. Diese Montage ist durch eine Fachperson vorzunehmen. Die Versorgungsspannung muss mit der angegebenen Spannung auf dem Typenschild übereinstimmen. Die Vakuumpumpe darf nur an einem abgesicherten Stromnetz betrieben werden.

Die Vakuumpumpe wird ab Werk ohne Ölfüllung ausgeliefert. Daher ist vor dem erstmaligen Starten der Vakuumpumpe vom beigepackten Öl einzufüllen. Der gelbe Ölstopfen muss entfernt und nach dem Auffüllen durch den Ölnebelabscheider (Pos. 19) ersetzt werden. Das beigepackte Öl (DV-44/DV-45) kann bis zur Höhe „Mitte Schauglas“ (Pos. 20) in die waagrecht stehende Vakuumpumpe eingefüllt werden.

⚠ Ölstand „Mitte Schauglas“ nicht überschreiten! Nach dem Einfüllen des Öls den Ölnebelabscheider (Pos. 19) wieder aufschrauben.

⚠ Zum Starten der Pumpe ist der Saugstutzen zu öffnen. Dazu die Kappe entfernen (bei der RL-8 zusätzlich den Absperrhahn auf Stellung „Durchfluss“ drehen).

Nach dem Erreichen der optimalen Drehzahl wird die Vakuumpumpe sofort mit einem Schlauch an das Kältesystem angeschlossen.

- ⚠ Zu langes Laufen lassen der Vakuumpumpe ohne Saug-Last hat verstärkte Ölnebelbildung am Ölnebelabscheider zur Folge.
- ⚠ Die Vakuumpumpe ist am Handgriff zu Tragen!
- ⚠ Zum Transport in Fahrzeugen ist die Pumpe auf die Füße zu stellen! Bei liegenden Pumpen kann Öl auslaufen. Dies kann den Elektro-Motor beschädigen und die Umwelt verschmutzen.

## Elektrische Daten

Die elektrischen Daten sind auf dem Typenschild und in der Bedienungsanleitung unter „Technische Angaben“ ersichtlich.

## Technische Beschreibung

Die Vakuumpumpen der Serie RL-2, RL-4, RL-8 sind ölgedichtete Rotationspumpen in Drehschieber-Bauart. Der Motorventilator sorgt für die Kühlung von Motor und Ölbehälter während des Betriebes. Ein Ölnebelabscheider sorgt ausblasseitig für die Rückführung von Öl in den Ölkreislauf. Ein Gasballastventil verhindert die Kondensation von Wasserdampf im Pumpeninnern. Ein Thermoschutzschalter in der Motorenwicklung schaltet den Motor bei Überhitzung automatisch aus.

- ⚠ Achtung! Nach einer Auskühlzeit von circa 20 Minuten schaltet der Motor selbständig wieder ein und die Vakuumpumpe läuft an!

## Lieferumfang/Standardausführung RL-2, RL-4, RL-8

- Vakuumpumpen-Öl DV-44/DV-45 zur Erstbefüllung.
- Bedienungsanleitung

Die RL-8 ist mit einem Kugelventil zur manuellen Trennung von Kältesystem und Vakuumpumpe ausgerüstet.

- ⚠ Jede Pumpe kommt **ohne** Öl im Ölbehälter zum Versand!

**Nachrüstoption:** Ölrücklaufstopp für alle Vakuumpumpen. Um zu verhindern, dass bei einem ungewollten Pumpenstopp (Stromausfall) das evakuierte System das Vakuum verliert, können die Vakuumpumpen nachträglich mit einem **Saugstutzen mit Ölrücklaufstopp** nachgerüstet werden. Bestellnummern der Saugstutzen **mit** Ölrücklaufstopp:

Für RL-2:	RL-2-307-RS	4663786
Für RL-4:	RL-4-307-RS	4663336
Für RL-8:	RL-8-307-RS	4664244

## Zubehör

Vakuummeter mit integriertem Kugelventil:

RL-2, RL-4, RL-8: RL-VAC 4663981

Entlüftungsschlauch, um brennbare Gase ins Freie zu führen:

RL-2, RL-4: 10859-CL-197-Y-SP 9881865

## Gebrauch

Beachten Sie die Kaltstarteigenschaften der Vakuumpumpe (siehe Technische Angaben). Die Einhaltung der vorgegebenen Kaltstarttemperaturen garantiert volle Leistung ab Einschalten der Vakuumpumpe. Ein Unterschreiten dieser Temperaturen schädigt die Va-  
12

kuumpumpe nicht. Je nach Starttemperatur kann es aber einige Sekunden bis Minuten dauern, bis die volle Drehzahl erreicht ist.

⚠ Bei Wartungsarbeiten an der Vakuumpumpe muss zuerst die Pumpe ausgeschaltet und das Anschlusskabel vom Stromnetz getrennt werden. Nur in diesem Zustand dürfen Unterhalts- und Wartungsarbeiten an der Pumpe vorgenommen werden.

⚠ Am Ölbehälter können während des Betriebes **Temperaturen bis zu 70°C auftreten**.

Kontrollieren Sie während des Einsatzes der Vakuumpumpe regelmässig den Zustand des Öls im Ölschauglas. Sollte das Öl trüb, dunkel oder verunreinigt sein, oder sollte der Öl-Pegel im Ölbehälter angestiegen sein, so liegt eine Kontaminierung vor. Das Öl ist dann sofort zu wechseln. Stellen Sie sicher, dass die Pumpe während des Betriebs, insbesondere die Ventilatorseite nicht mit Gegenständen, Tüchern, Folien und so weiter abgedeckt ist. Eine Behinderung des Luftstromes kann zur Überhitzung der Vakuumpumpe führen und die Vakuumpumpe schaltet aus.

⚠ **Achtung - automatischer Anlauf nach Abkühlung.**

## Wartung/Ölwechsel

Der wichtigste Wartungsfaktor einer Vakuumpumpe ist das Öl. Dieses ist nach spätestens 20 Betriebsstunden oder nach starker Verschmutzung (dunkles oder trübes Öl) zu ersetzen. Nach dem Absaugen von verschmutzten Kältemitteln ist das Öl ebenfalls zu wechseln. Insbesondere Feuchtigkeit/Wasser, welches in der Pumpe bis zum nächsten Einsatz zurück bleibt, kann zur Beschädigung der Pumpe durch Korrosion führen.

⚠ Verschmutztes Öl kann die Vakuumpumpe beschädigen

### Vorgehen bei Ölwechsel

- Pumpe auf Arbeitstemperatur warm laufen lassen, dann abschalten und Netzstecker ziehen.
- Ölnebelabscheider abschrauben. (Pos. 19)
- Das Öl bei RL-4/RL-8 durch öffnen des Ablassstopfens (Pos. 23) ablassen, oder durch Kippen der Pumpe durch die Öffnung des Ölnebelabscheiders ausgiessen (die RL-2 verfügt über kein Ölablassstopfen).
- Netzstecker einstecken - Pumpe einschalten. Circa 5-10 Sekunden mit geöffnetem Saugstutzen laufen lassen, damit Rest-Öl aus den Druckstufen heraus gedrückt wird.
- Pumpe ausschalten - Netzstecker abziehen.
- Rest-Öl ablassen oder ausgiessen.
- Ölablass-Stopfen (Pos. 23) wieder dicht einschrauben (RL-4/RL-8).
- Neues Öl bis Pegelstand „Mitte Schauglas“ einfüllen.
- Ölnebelabscheider einschrauben (Pos. 19). Pumpe kurz ein paar Sekunden einschalten.

⚠ Bei stark verschmutztem Öl empfiehlt es sich, nach einer Laufzeit von 30 Minuten den Ölwechsel zu wiederholen, um so alle Verunreinigungen auszuspülen.

Um die vorgegebenen Leistungen zu erreichen und die Pumpe nicht zu beschädigen, ist die vom Hersteller vorgegebene Ölsorte DV-44, DV-45, DV-46, DV-48 zu verwenden.

⚠ Das Altöl ist vom Pumpenbetreiber nach Vorschrift fachgerecht zu entsorgen!

Weitergehende Wartungsarbeiten sind von einem Fachbetrieb ausführen zu lassen.

## Behebung von Störungen

Störung	Ursache	Behebung	
Pumpe läuft nur schwer an Drehzahl zu niedrig	Öl zu kalt	Pumpe in warme Umgebung stellen	
	Fremd-Öl - zu dickflüssig	durch Original-Öl ersetzen	
	Pumpe verschmutzt	Ölwechsel vornehmen	
	Motorwicklung defekt	Kundendienst anfragen	
	Das Anschlusskabel ist zu lang	Kürzeres Anschlusskabel verwenden	
Motor läuft nicht an	Netzspannung zu niedrig	Pumpe ist für +/- 10% Netzspannung ausgelegt	
	Kondensator defekt	Kondensator ersetzen	
	Schalter defekt	Schalter ersetzen	
	Motor zu heiss	Abkühlen lassen	
Motor brummt- Pumpe blockiert	Kabel defekt	Kabel ersetzen	
	Pumpe verunreinigt	Druckstufe ersetzen	
	Pumpe verschlamm	Kundendienst anfragen	
Motor läuft ⇒ Keine Leistung	Kupplungsstift gebrochen	Kundendienst anfragen	
Ölspritzer am Ölnebel-Abscheider	Ölbehälter überfüllt	Ölpegel auf „Mitte Schauglas“ Überschüssiges Öl ablassen	
Ölnebelbildung	Betriebsdruck = atmosphärischer Druck	Ölnebel reduziert sich nach Aufbau von Saugdruck	
Ölpegel nicht sichtbar	Ölmenge zu gering	Öl nachfüllen	
Öl verunreinigt/trüb	Schmutziges Kältemittel/Öl angesaugt	Ölwechsel vornehmen	
Pumpe erreicht Vakuum nicht	Gasballastventil offen	Gasballastventil zudrehen	
	Lose Kappe am Ansaugstutzen	Kappe fest schrauben	
	O-Ring in der Kappe vom Ansaugstutzen ist defekt	O-Ring ersetzen	
	Ölstand zu niedrig	Öl nachfüllen	
	Öl verschlamm	Öl wechseln	
	Leitung undicht	Leitung prüfen, abdichten	
	Pumpe ist nach langem Gebrauch abgenutzt	Pumpe reparieren oder ersetzen	
	Pumpe erzeugt Lärm	Motorlager defekt	Kundendienst anfragen
		Ventilator defekt	Ventilator ersetzen
	Pumpe verliert Öl	Ölgehäusedichtung defekt	O-Ring ersetzen
Ölablassschraube undicht		Ablabsschraube ersetzen	
Schauglasdichtung defekt		Schauglas ersetzen	
Ölgehäuseverschraubung undicht		Dichtungen der Ölgehäuseverschraubung ersetzen	
	Wellendichtring defekt	Kundendienst anfragen	

## Garantie

REFCO gewährt auf Vakuumpumpen eine Garantie von 24 Monaten. Unsachgemässe Behandlung, Einsatz der Vakuumpumpe für andere als vom Hersteller vorgesehene Zwecke, Verwendung von falschem Öl, oder das Öffnen der Pumpe während der Garantiezeit durch den Betreiber, führen zum Verlust der Garantieansprüche! Zur Behebung von Mängeln unter Garantie ist die Vakuumpumpe zu Lasten und auf Gefahr des Absenders an den Verkäufer der Pumpe zu senden.

Technische Angaben	RL-2	RL-4	RL-8
Volumenleistung l/min (cfm)	35 (1.25)	65 (2.3)	150 (5.3)
Enddruck bei geschlossenem Gasballastventil (bei 20°C)	0.02 mbar (15 Mikrons)		
Minimale Öltemperatur für Kaltstart	+5°C	+5°C	+2°C
Anschlüsse der Saugstutzen SAE	1/4"	1/4"+3/8"	1/4"+3/8"
Gasballastventil	ja	ja	ja
Ölnebelabscheider	ja	ja	ja
Rücklaufsperr für Öl	optional	optional	optional
Ölfüllung ml	125	250	500
Emissions-Schalldruckpegel LpA	LpA ≤ 70dB (A)		
Stromversorgung	220/240V @50/60Hz		
Motorenleistung KW/Umin	0.16/2400	0.19/2400	0.37/2800
Abmessungen (LxBxH) mm	271x167x195	301x152x204	360x220x250
Gewicht kg	3.800	5.560	11.800

## Ersatzteile

Pos.	Bezeichnung	Beschreibung	Art. Nr.
------	-------------	--------------	----------

### Ersatzteile RL-2

3	..... RL-2-3000	..... Ölbehälter komplett	..... 4661589
20	..... RL-2-3011	..... Ölschauglas mit Dichtung + Mutter	..... 4661597
19	..... RL-4-303	..... Ölnebelabscheider mit Dichtung	..... 4495471
24	..... RL-2/4-3060	..... Gasballastventil komplett	..... 4661423
53	..... RL-8-4071	..... Gummifüsse (4 Stück)	..... 4507631
55	..... RL-2-406	..... Kondensator (1 Stück)	..... 4661075
48	..... RL-4-415	..... Kippschalter	..... 4496770
52	..... RL-2-4000	..... Verschalung 2-teilig komplett	..... 4661538
1	..... RL-2-2A	..... Druckstufe revidiert mit Dichtung im Austausch	..... 4661482
1	..... RL-2-2A	..... Druckstufe revidiert mit Dichtung ohne Austausch	..... 4661482
	..... RL-2-1000	..... Dichtungssatz	..... 4668419

### Ersatzteile RL-4

3	..... RL-4-3000	..... Ölbehälter komplett	..... 4507674
20	..... RL-4-3011	..... Ölschauglas mit Dichtung + Mutter	..... 4507682
23	..... RL-4-310	..... Ölablass-Stopfen mit Dichtring	..... 4496761
19	..... RL-4-303	..... Ölnebelabscheider mit Dichtung	..... 4495471
24	..... RL-2/4-3060	..... Gasballastventil komplett	..... 4661423
53	..... RL-8-4071	..... Gummifüsse (4 Stück)	..... 4507631

Pos.	Bezeichnung	Beschreibung	Art. Nr.
55	RL-4-406	Kondensator (1 Stück)	4661066
48	RL-4-415	Kippschalter	4496770
52	RL-4-4000	Verschalung 2-teilig komplett	4661474
1	RL-4-2A	Druckstufe revidiert mit Dichtung im Austausch	4661954
1	RL-4-2A	Druckstufe revidiert mit Dichtung ohne Austausch	4661954
	RL-4-1000	Dichtungssatz	4668427

### Ersatzteile RL-8

3	RL-8-3000	Ölbehälter komplett	4507607
20	RL-8-3011	Ölschauglas mit Dichtung + Mutter	4507615
23	RL-4-310	Ölablass-Stopfen mit Dichtring	4496761
19	RL-8-303	Ölnebelabscheider mit Dichtung	4507445
24	RL-8-3060	Gasballastventil komplett	4507623
53	RL-8-4071	Gummifüße (4 Stück)	4507631
55	RL-8-426	Kondensatorsatz (1 Stück)	4507470
48	RL-4-415	Kippschalter	4496770
52	RL-8-4000	Verschalung 2-teilig komplett	4507640
1	RL-8-2A	Druckstufe revidiert mit Dichtung im Austausch	4507658
1	RL-8-2A	Druckstufe revidiert mit Dichtung ohne Austausch	4507658
	RL-8-1000	Dichtungssatz	4668436

### Ersatzteile

⇒ Es ist sehr wichtig, die richtigen Materialien für die Ersatzteile zu verwenden, da sonst die Leistung der Pumpe beeinträchtigt oder die Pumpe sogar beschädigt werden kann. Bei der Bestellung von Ersatzteilen bitte Pumpentyp und Seriennummer angeben (siehe Typenschild).

### Zum Thema Umwelt

Die Vakuumpumpe ist für den Langzeitgebrauch entwickelt worden. Bei der Materialbeschaffung und der Produktion wurde auf Energieersparnis und Umweltverträglichkeit geachtet.

REFCO Manufacturing Ltd. sieht sich „zeitlebens“ verantwortlich für seine Produkte. Aus diesem Grund hat sich REFCO Manufacturing Ltd. nach der DIN EN ISO 14001 : 2004 zertifizieren lassen.

Bei Ausserbetriebsetzung des Gerätes hat der Anwender die geltenden Entsorgungsvorschriften seines Landes zu beachten.

Öl und die anderen Komponenten sind so zu entsorgen, dass Umweltbelastungen ausgeschlossen werden.



## Pompes à vide RL

Merci d'avoir choisi une pompe à vide REFCO. Nous sommes fiers de chaque produit REFCO et vous assurons que nous veillons constamment à la fiabilité de fonctionnement de nos articles.

La pompe à vide a été conçue de manière à ce que les spécifications répondent aux directives et normes CE. La lecture de l'intégralité de la notice d'utilisation ci-dessous, ainsi que l'observation de nos suggestions, vous permettent de disposer d'informations importantes pour exploiter de manière parfaite et entretenir la pompe choisie, tout en vous aidant à prolonger sa longévité.

## Respectez les avertissements!

⚠ Ils sont signalisés par ce symbole.

Ce symbole international vise à avertir des dangers susceptibles de causer de graves blessures ou des dommages matériels.

### Table des matières

Remarques importantes.....	17
Utilisation de la pompe.....	18
Préparatifs/transport.....	18, 19
Caractéristiques électriques.....	19
Description technique.....	19
Fournitures standard pour RL-2, RL-4, RL-8.....	19
Autres accessoires.....	19
Note.....	19, 20
Maintenance/changement d'huile.....	20
Dépannage.....	21
Garantie.....	22
Caractéristiques techniques.....	22
Pièces de rechange.....	2, 22, 23
À propos de l'environnement.....	23

## Remarques importantes

⚠ **Lisez attentivement la notice d'utilisation avant de travailler avec la pompe à vide. La notice vous permet de disposer d'informations importantes pour exploiter de manière parfaite, entretenir et immobiliser la pompe à vide.**

⚠ **La pompe à vide doit être exploitée exclusivement sur un réseau électrique sécurisé et mise à la terre conformément à la réglementation.** En cas de dégradation ou de sectionnement du câble électrique pendant le travail, ne touchez pas le câble et débranchez immédiatement la prise secteur. Ne jamais utiliser le dispositif avec un câble endommagé.

⚠ **Les produits REFCO ont été conçus et fabriqués spécialement pour une manipulation par des frigoristes et techniciens en froid dûment qualifiés. Du fait des hautes pressions et des gaz chimiques et physiques employés dans les systèmes de réfrigération, REFCO décline toute responsabilité et responsabilité civile en cas d'accident, de blessure et de décès. REFCO fait expressément remarquer que les produits doivent être vendus uniquement à des spécialistes qualifiés sur le plan professionnel.**

## Utilisation de la pompe

Les pompes à vide REFCO ont été spécialement conçues et fabriquées pour le tirage au vide de réservoirs clos et d'unités de réfrigération et air conditionné. La pompe doit toujours être utilisée par des professionnels qualifiés.

⚠ Cette pompe doit être utilisée exclusivement par un personnel qualifié.

Le personnel, qui travaille sur les installations frigorifiques, doit porter des protections appropriées telles que des gants et lunettes de protection, ainsi que des chaussures de sécurité.



⚠ La pompe à vide ne doit pas être exposée à la pluie, ni utilisée dans un environnement humide ou détrempé.

⚠ La pompe à vide **ne doit être** utilisée exclusivement que dans le domaine de la réfrigération et de l'air conditionné et ne doit en aucun cas être utilisée, intégrée ou montée dans d'autres appareils à d'autres fins.

⚠ La pompe à vide **ne doit pas être** utilisée comme compresseur ou pour comprimer de l'air ou d'autres gaz.

⚠ La pompe à vide **ne doit pas être** utilisée dans un environnement inflammable ou en présence de gaz explosifs.

⚠ La pompe à vide **ne doit pas être** utilisée avec des liquides ou gaz agressifs comme l'ammoniac ou l'oxygène pur qui pourraient détériorer certains composants.

⚠ Les réfrigérants combustibles comme R600a, R600, R290, doivent être évacués vers l'extérieur à l'aide d'un tuyau adapté (voir accessoires).

⚠ La pompe à vide **ne doit pas être** utilisée pour transférer des liquides comme l'eau, le gas-oil, les huiles, les boissons, les autres liquides alimentaires ou les eaux d'égout.

## Préparatifs/transport

Les pompes à vide, fournies sans prise de courant doivent être équipées d'une prise avec terre en conformité avec les normes en vigueur dans le pays d'utilisation. La prise doit être installée par un professionnel. Le courant d'alimentation doit correspondre aux indications portées sur la plaque signalétique, en tension et fréquence. La pompe à vide doit toujours être connectée à une installation protégée.

La pompe à vide est livrée vide d'huile. Le bouchon jaune de remplissage d'huile doit être retiré puis remplacé par le filtre d'évacuation (Pos. 19). L'huile fournie (DV-44/DV-45) doit être introduite jusqu'au milieu du voyant (Pos. 20).

⚠ Le niveau d'huile ne doit jamais dépasser le milieu du voyant. Remettre en place le filtre d'évacuation (Pos. 19) après remplissage.

⚠ Enlever le bouchon du raccord d'aspiration pour démarrer la pompe (avec le modèle RL-8, la vanne à boule doit être ouverte). Dès que la pleine vitesse du moteur est atteinte, relier le tuyau de charge au raccord.

- ⚠ Ne pas laisser la pompe tournée sans être connectée à un système: le débit sera alors trop important et un brouillard d'huile s'échappera par le filtre d'évacuation.
- ⚠ Ne transporter la pompe qu'en la portant par la poignée prévue à cet effet.
- ⚠ Veiller à ce que la pompe soit dans sa position normale pendant le transport et bien callée afin d'éviter tout déversement d'huile. L'huile peut endommager le moteur électrique.

## Caractéristiques électriques

Les caractéristiques électriques sont mentionnées en page 22 du présent manuel sous le chapitre «caractéristiques techniques».

## Description technique

Les pompes à vide REFCO modèles RL-2, RL-4 et RL-8 sont du type à palettes. La pompe est refroidie intérieurement pendant son fonctionnement par un ventilateur. Un filtre à brouillard d'huile intégré permet la remise en circulation de l'huile dans le bloc pompe. La vanne d'échappement évite une accumulation de condensation dans l'huile et par suite dans le bloc pompe. Le moteur est protégé par un thermocouple qui coupe automatiquement la pompe en cas de surchauffe. La vanne d'échappement évite une accumulation de condensations dans l'huile et par suite dans le bloc pompe.

- ⚠ Attention! Le moteur redémarrera automatiquement après une période de refroidissement d'environ 20 minutes.

## Fournitures standard pour RL-2, RL-4, RL-8

- Huile de pompe à vide DV-44/DV-45
- Mode d'emploi multilingue

La RL-8 est équipée d'une vanne à boule pour isoler la pompe de l'unité à évacuer.

- ⚠ Les pompes sont fournies vide d'huile. Avant toute opération elles doivent être chargées en huile.

**Option:** Raccord d'aspiration avec clapet anti-retour pour éviter tout retour d'huile en cas d'arrêt intempestif de la pompe.

Raccord d'aspiration **avec** clapet anti-retour:

Pour RL-2:	RL-2-307-RS	4663786
Pour RL-4:	RL-4-307-RS	4663336
Pour RL-8:	RL-8-307-RS	4664244

## Autres accessoires

Vacuomètre avec vanne à boule

Pour pompes à vide RL-2, RL-4, RL-8:	RL-VAC	4663981
Tuyau spécial pour l'évacuation des réfrigérants combustibles des endroits clos:		
HVAC/R Disponible pour RL-2, RL-4:	10859-CL-197-Y-SP	9881865

## Note

Veillez noter que la température minimale de fonctionnement des pompes à vide est précisée dans le chapitre "caractéristiques techniques" en page 22 de ce manuel. Si la

température ambiante est sous ce seuil, un temps de quelques secondes ou minutes sera nécessaire pour que la pompe atteigne sa vitesse de rotation normale et ses capacités maximales.

⚠ Toujours arrêter et débrancher la pompe avant d'entreprendre toute maintenance.

⚠ La pompe à vide et spécialement le carter peut atteindre une **température supérieure à 70°C (160°F) pendant son fonctionnement.**

Vérifier le niveau d'huile (milieu du voyant). Si l'huile est trouble, foncée ou polluée ou si le niveau a augmenté sans avoir effectué de remplissage, changer l'huile immédiatement. Vérifier que l'entrée d'air de refroidissement n'est obstruée par aucun objet, tissu, etc. Ensure that the air intake of the impeller fan at the back of the pump is not covered with any objects or cloths etc. Gêner la circulation de l'air peut provoquer l'arrêt intempestif de la pompe pour surchauffe.

⚠ **Attention! Le moteur redémarrera automatiquement après une période de refroidissement d'environ 20 minutes.**

## Maintenance/changement d'huile

Le point le plus important dans la maintenance d'une pompe à vide est l'huile. L'huile doit être changée après 20 heures de fonctionnement ou si elle est trouble ou foncée. L'huile doit être changée immédiatement après l'évacuation d'un système hautement pollué. Les résidus d'humidité ou eau peuvent provoquer une corrosion de la pompe.

⚠ L'huile polluée peut endommager la pompe à vide.

### Changement de l'huile

- Laisser tourner la pompe jusqu'à l'obtention de sa température de fonctionnement. Arrêter la pompe et la débrancher.
- Démonter le filtre à brouillard d'huile (Pos. 19)
- Vidanger l'huile par l'orifice prévu à cet effet (RL-4/RL-8 Pos. 23) ou par l'orifice de remplissage (le modèle RL-2 ne possède pas d'orifice de vidange).
- Rebrancher la pompe et la mettre en route. Laisser la tourner environ 10-15 secondes pour extraire l'huile résiduelle dans le bloc pompe.
- Arrêter la pompe et la débrancher.
- Vidanger l'huile résiduelle.
- Remonter le bouchon de vidange (Pos. 23).
- Remplir d'huile jusqu'au milieu du voyant.
- Remettre en place le filtre à brouillard d'huile (Pos. 19). Faire tourner la pompe pendant quelques secondes.

⚠ Si l'huile était fortement polluée, répéter l'opération après avoir laissé tourner la pompe pendant 30 minutes afin d'extraire toutes les particules par la circulation d'huile.

Afin d'obtenir les meilleures performances des pompes REFCO, utiliser uniquement les huiles DV-44, DV-45, DV-46, DV-48 ou l'huile ester REFCO.

⚠ La récupération de l'huile doit être effectuée selon les lois en vigueur du pays d'utilisation de la pompe.

Les autres opérations de maintenance doivent être effectuées par un spécialiste.

## Dépannage

Panne	Problème possible	Solution
La pompe ne tourne pas à sa vitesse normale	Température de l'huile trop basse	Placer la pompe dans un endroit chaud
	Huile inadaptée - top épaisse	Changer avec de l'huile REFCO
	Pompe sale	Changer l'huile
	Bobine moteur défectueuse	Interroger le service Client
	Câble de raccordement trop long	Employer un câble plus court
	Tension électrique trop faible	Pompe dimensionnée pour +/- 10% de tension électrique
Le moteur ronronne mais ne démarre pas	Huile fortement polluée Pompe bloquée	Changer le bloc pompe Appeler le service clients
Le moteur tourne ⇒ sans performance	Accouplement cassé	Appeler le service clients
Formation de brouillard d'huile	Huile en excès	Ajuster le niveau au milieu du voyant, vider l'excédent d'huile
Formation de brouillard d'huile	Pression de la pompe = pression atmosphérique	Le brouillard disparaîtra dès l'obtention d'un certain vide
Huile non visible dans le voyant	Manque d'huile	Refaire le niveau
Huile trouble ou foncée	Huile polluée	Changer l'huile
Niveau de vide faible	Vanne d'échappement ouverte	Fermer la vanne d'échappement Appeler le service clients
	Capuchon de tubulure d'aspiration desserré	Bien revisser le capuchon
	Défectuosité du joint torique situé dans le capuchon de la tubulure d'aspiration	Changer le joint torique
	Niveau d'huile trop faible	Ajouter de l'huile
	Huile encrassée ou polluée	Remplacer l'huile
	Conduit non étanche	Vérifier le conduit et assurer son étanchéité si nécessaire
	Pompe usée après une longue durée d'exploitation	Réparer ou changer la pompe
Moteur bruyant	Roulements défectueux	Appeler le service clients
	Défaut au ventilateur	Changer le ventilateur
Perte d'huile	Joint de carter fuyant	Changer le joint torique
	Manque d'étanchéité du bouchon de vidange fileté	Remplacer le bouchon de vidange fileté
	Joint de voyant fuyant	Changer le voyant
	Joints des vis de fixation du carter fuyants	Changer les joints des vis
	Fuite au niveau de l'arbre moteur	Appeler le service clients

## Garantie

REFCO accorde une garantie de 24 mois. Les dommages dus à une mauvaise utilisation, un manque d'entretien comme décrit dans ce manuel, une utilisation de la pompe pour d'autres applications, l'emploi d'une huile inappropriée, l'ouverture ou le démontage de la pompe pendant la période de garantie impliquera l'annulation de la garantie. Pour les réparations pendant la période de garantie, la pompe doit être retournée franco au vendeur.

Caractéristiques technique		RL-2	RL-4	RL-8
Capacité	l/min (cfm)	35 (1.25)	65 (2.3)	150 (5.3)
Vide avec vanne d'échappement fermée (à 20°C)		0.02 mbar (15 microns)		
Température minimale de l'huile pour démarrage		+5°C	+5°C	+2°C
Raccord d'aspiration	SAE	1/4"	1/4"+3/8"	1/4"+3/8"
Vanne d'échappement		Oui	Oui	Oui
Filtre de brouillard d'huile		Oui	Oui	Oui
Raccord d'aspiration anti-retour		option	option	option
Volume d'huile	ml	125	250	500
Niveau de pression acoustique d'émission	LpA	LpA ≤ 70dB (A)		
Alimentation		220/240V @50/60Hz		
Moteur KW-T/mn	KW/Umin	0.16/2400	0.19/2400	0.37/2800
Dimensions	(LxLxH) mm	271x167x195	301x152x204	360x220x250
Poids	kg	3.800	5.560	11.800

## Pièces de rechange

Pos.	Désignation	Description	Référence
------	-------------	-------------	-----------

### Pièces de rechange pour RL-2

3.....	RL-2-3000.....	Carter d'huile avec joints.....	4661589
20.....	RL-2-3011.....	Voyant d'huile avec joint.....	4661597
19.....	RL-4-303.....	Filtre à brouillard huile.....	4495471
24.....	RL-2/4-3060.....	Vanne d'échappement complète.....	4661423
53.....	RL-8-4071.....	Pieds c/c (4 pcs).....	4507631
55.....	RL-2-406.....	Condensateur.....	4661075
48.....	RL-4-415.....	Interrupteur.....	4496770
52.....	RL-2-4000.....	Carter plastique complet (2 parties).....	4661538
1.....	RL-2-2A.....	Bloc pompe révisé avec joints en échange.....	4661482
1.....	RL-2-2A.....	Bloc pompe révisé avec joints sans échange.....	4661482
.....	RL-2-1000.....	Jeu de joints.....	4668419

### Pièces de rechange pour RL-4

3.....	RL-4-3000.....	Carter d'huile avec joints.....	4507674
20.....	RL-4-3011.....	Voyant d'huile avec joint.....	4507682
23.....	RL-4-310.....	Bouchon de vidange avec joint.....	4496761
19.....	RL-4-303.....	Filtre à brouillard huile.....	4495471

Pos.	Désignation	Description	Référence
24.....	RL-2/4-3060.....	Vanne d'échappement complète.....	4661423
53.....	RL-8-4071.....	Pieds c/c (4 pcs) .....	4507631
55.....	RL-4-406.....	Condensateur.....	4661066
48.....	RL-4-415.....	Interrupteur.....	4496770
52.....	RL-4-4000.....	Carter plastique complet (2 parties) .....	4661474
1.....	RL-4-2A.....	Bloc pompe révisé avec joints en échange .....	4661954
1.....	RL-4-2A.....	Bloc pompe révisé avec joints sans échange.....	4661954
.....	RL-4-1000.....	Jeu de joints .....	4668427

### **Pièces de rechange pour RL-8**

3.....	RL-8-3000.....	Carter d'huile avec joints.....	4507607
20.....	RL-8-3011.....	Voyant d'huile avec joint.....	4507615
23.....	RL-4-310.....	Bouchon de vidange avec joint .....	4496761
19.....	RL-8-303.....	Filtre à brouillard huile.....	4507445
24.....	RL-8-3060.....	Vanne d'échappement complète.....	4507623
53.....	RL-8-4071.....	Pieds c/c (4 pcs) .....	4507631
55.....	RL-8-426.....	Condensateur.....	4507470
48.....	RL-4-415.....	Interrupteur.....	4496770
52.....	RL-8-4000.....	Carter plastique complet (2 parties) .....	4507640
1.....	RL-8-2A.....	Bloc pompe révisé avec joints en échange .....	4507658
1.....	RL-8-2A.....	Bloc pompe révisé avec joints sans échange.....	4507658
.....	RL-8-1000.....	Jeu de joints .....	4668436

### **Pièces de rechange**

⇒ Afin de garantir les performances de la pompe et éviter tout dommage il est impératif d'utiliser des pièces de rechange et composants REFCO. Pour toute demande de pièces de rechange, merci de nous indiquer le numéro de série et le modèle indiqués sur la plaque signalétique.

### **À propos de l'environnement**

La pompe à vide a été conçue pour un usage à long terme. Lors de l'approvisionnement des matériaux et de la production, une attention spéciale a été portée aux économies d'énergie et à la compatibilité environnementale.

REFCO Manufacturing Ltd. se considère responsable de ses produits „pendant toute leur durée de vie“. C'est la raison pour laquelle REFCO Manufacturing Ltd. a demandé et obtenu la certification suivant la norme DIN EN ISO 14001 : 2004.

Lors de l'immobilisation du dispositif, l'utilisateur doit respecter les consignes d'élimination en vigueur dans son pays.

L'huile usagée et les autres consommables doivent être éliminés en veillant à ne pas polluer l'environnement.

## Pompe per vuoto RL

Grazie per aver scelto una pompa REFCO. REFCO è orgogliosa di questo prodotto che ha realizzato, come tutti gli altri che portano il suo marchio, con l'impegno a garantire la massima affidabilità e funzionalità.

La pompa è stata progettata e realizzata conformemente alle direttive e alle norme CE in materia. La invitiamo a leggere con attenzione le presenti istruzioni e attenersi alle raccomandazioni in esse contenute: in questo modo potrà assicurarsi perfetto funzionamento, facile manutenzione e lunga durata dell'apparecchio.

## Attenzione alle avvertenze di sicurezza!

⚠ Sono contraddistinte da questo pittogramma, il simbolo internazionale di pericolo con rischio di danni a cose e/o persone.

### Indice

Avvertenze di sicurezza .....	24
Utilizzo della Pompa .....	25
Preparazione/trasporto .....	25, 26
Dati elettrici .....	26
Descrizioni tecniche .....	26
Configurazione della Pompa/accessori standard RL-2, RL-4, RL-8 .....	26
Accessori .....	26
Uso .....	26, 27
Manutenzione/cambio d'olio .....	27
Individuazione dei giusti .....	28, 29
Garanzia .....	29
Dati tecnici .....	29
Ricambi .....	2, 29, 30
Aspetti ambientali .....	30, 31

## Avvertenze di sicurezza

- ⚠ **Prima di azionare e utilizzare la pompa, Le raccomandiamo di leggere attentamente le istruzioni, che contengono importanti informazioni riguardo al corretto uso, alla manutenzione e allo smaltimento dell'apparecchio.**
- ⚠ **La pompa va collegata solo a reti d'alimentazione elettrica protette e dev'essere provvista di opportuna messa a terra.** Se, durante il funzionamento, il cavo di rete viene danneggiato o tranciato, si raccomanda di non toccarlo e di staccare immediatamente la spina dalla presa di corrente. Non utilizzare mai apparecchi il cui cavo di rete non è perfettamente integro.
- ⚠ **I prodotti REFCO sono espressamente studiati e realizzati per l'utilizzo da parte di tecnici frigoristi specializzati. A causa delle alte pressioni degli impianti frigoriferi e dei gas refrigeranti in essi utilizzati, REFCO non si assume alcuna responsabilità per eventuali incidenti, lesioni o eventi mortali. REFCO raccomanda esplicitamente di riservare la vendita dei suoi prodotti a professionisti specializzati.**



## Utilizzo della Pompa

Le pompe per vuoto REFCO sono state concepite e costruite per tirare il vuoto da recipienti chiusi e unità di refrigerazione o condizionamento. La pompa va usata da professionisti qualificati.

⚠ La pompa dev'essere azionata solo da personale qualificato.

Per il lavoro sugli impianti frigoriferi è necessario indossare gli opportuni dispositivi di protezione individuale quali guanti, occhiali e scarpe di sicurezza.



⚠ La pompa non dev'essere esposta alla pioggia, né utilizzata in ambienti umidi o bagnati.

⚠ La pompa per vuoto deve essere usata solamente per l'industria della refrigerazione o il condizionamento. In nessun caso la pompa deve essere utilizzata in un altro modo, integrato o montato per altri utili.

⚠ La pompa per vuoto **non va usata** come compressore o per comprimere aria o altri gas.

⚠ La pompa per vuoto **non va usata** in ambienti infiammabili o alla presenza di gas esplosivi.

⚠ Gas aggressivi, gas contaminati, ossigeno puro, ammoniaca e simili, quale possono essere aggressivi con le parti d'acciaio della pompa, non devono essere aspirati con questa pompa per vuoto.

⚠ Refrigeranti combustibili, come per esempio R600a, R600, o R290 devono essere condotti fuori dall'ambiente all'aperto per motivi di sicurezza.

⚠ La pompa **non va usata** per aspirare liquidi come acqua, Combustibili liquidi, oli, bevande, generi alimentari per persone e animali, detriti liquidi, sostanze fecali e simili.

## Preparazione/trasporto

Con pompe che sono consegnate senza spine elettriche, devono essere montate con spine elettriche con protezione terra conforme alle leggi del paese d'utilizzo. La presa è da montare da una persona qualificata. La corrente d'alimentazione deve corrispondere alle indicazioni indicate sulla targhetta della pompa. La pompa per vuoto va alimentata dalla rete elettrica protetta.

Ogni pompa è spedita dalla fabbrica senza d'olio nel serbatoio. Il tappo olio giallo deve essere rimosso e dopo il riempimento sostituito dal tappo di carico (Pos. 19). L'olio fornito (DV-44/DV-45) va riempito fino all'altezza „metà spia d'olio“ (Pos. 20) in posizione orizzontale della pompa.

⚠ Non riempite il serbatoio oltre il livello massimo consentito! (metà spia d'olio). Dopo aver riempito l'olio, riavvitare il tappo d'olio (Pos. 19).

⚠ Per avviare la pompa aprire la valvola d'aspirazione. Per questo svitare il cappuccio. (per la RL-8 aprire anche la valvola).

⚠ Dopo che la pompa abbia raggiunto il numero di giri ottimale, raccordare con il tubo subito la pompa con l'impianto del freddo.

- ⚠ Se la pompa per vuoto è in funzione prolungata, senza essere collegato ad un impianto, intorno al tappo d'olio si forma una nuvola d'olio.
- ⚠ Utilizzate la maniglia per trasportare la pompa!
- ⚠ Durante il trasporto, controllare la pompa che è in una posizione orizzontale (posata sui piedi!), per evitare una fuoriuscita dell'olio. Il ribaltamento della pompa può causare la fuoriuscita dell'olio che può danneggiare il motore elettrico della pompa e causare inquinamenti ambientali.

## Dati elettrici

I dati elettrici sono stampati sulla targhetta della pompa o leggibili sul manuale.

## Descrizioni tecniche

Le pompe per vuoto della serie RL-2, RL-4 e RL-8 sono pompe per vuote rotative a palette a bagno d'olio. Il ventilatore è responsabile per il raffreddamento del motore e del carter d'olio durante l'esercizio. Un separatore di fumi d'olio è responsabile per il ritorno dell'olio nel circuito d'olio della pompa. Il zavorratore rimedia la condensazione del vapore d'acqua all'interno della pompa, è una sicura termica spegne la pompa in caso di surriscaldamento così è protetto il motore elettrico.

- ⚠ Attenzione! Dopo il raffreddamento della pompa (ca. 20 minuti) la pompa si mette in moto automaticamente!

## Configurazione della Pompa/accessori standard

### RL-2, RL-4, RL-8

- Olio per pompa DV-44/DV-45
- Manuale d'uso

La RL-8 è dotato di una valvola sfera manuale per separare l'impianto dalla pompa.

- ⚠ Ogni pompa è spedita senza olio nel serbatoio!

**Accessori extra:** Valvola di non ritorno per olio su tutte le pompe. Per rimediare, in caso di spegnimento della pompa per mancanza d'elettricità, che l'impianto non riassorbe l'olio è il vuoto va perduto.

No. D'ordine per la valvola di non ritorno **con** rimedio anti riflusso dell'olio:

per RL-2:	RL-2-307-RS	4663786
per RL-4:	RL-4-307-RS	4663336
per RL-8:	RL-8-307-RS	4664244

## Accessori

Vuotometro con valvola a sfera integrata:

Per pompe RL-2, RL-4, RL-8:	RL-VAC	4663981
Tubo di aerazione, per condurre all'aperto i gas combustibili:		
Per RL-2, RL-4:	10859-CL-197-Y-SP	9881865

## Uso

Notate che la temperatura minima di funzionamento delle pompe a vuoto è precisato nel capitolo "dati tecnici" a pagina 29 del manuale. Se la temperatura ambientale e alla soglia, il

tempo d'avviamento è di qualche secondo o minuto. Il tempo è necessario per la pompa, per poter raggiungere una velocità di rotazione normale e le prestazioni massime.

⚠ Per la manutenzione della pompa per vuoto, si deve prima spegnere la pompa e staccare la spina dalla presa. Solo in queste condizioni si possono eseguire i lavori di manutenzione e di servizio alla pompa.

⚠ Il serbatoio d'olio, può raggiungere durante l'esercizio **temperature fino a 70°C**.

Controllate durante l'esercizio della pompa regolarmente lo stato dell'olio attraverso la spia d'olio. Se l'olio è torbido, scuro oppure sporco, o il livello dell'olio dentro il serbatoio è aumentato, l'olio è contaminato. In questo caso si deve subito cambiare l'olio. Durante l'esercizio, non collocare nessun elemento vicino alla ventola di raffreddamento o di ostacolare il raffreddamento della pompa con dei tessuti, plastiche ecc. Un ostacolo della ventola può aver causa di surriscaldamenti e la pompa per vuoto si spegne automaticamente.

⚠ **Attenzione - dopo il raffreddamento avviamento automatico.**

## Manutenzione/cambio d'olio

Il fattore più importante della pompa per vuoto è lo stato dell'olio. L'olio va cambiato ogni 20 ore di lavoro o dopo una manutenzione su un impianto contaminato (olio scuro o torbido). Specialmente se sono stati assorbiti refrigeranti sporchi, o contaminati con acqua è umidità, quale rimane nella pompa fino al prossimo esercizio. Questo può causare la corrosione delle parti d'acciaio dentro la pompa.

⚠ Olio contaminato può danneggiare la pompa.

### Sostituzione dell'olio

- Far funzionare la pompa a temperatura di lavoro per fluidificare l'olio, poi spegnere la pompa e scollegarla dalla rete.
- Svitare il separatore di fumi d'olio (tappo olio, Pos. 19)
- Alla RL-4/RL-8 svitare il tappo di scarico (Pos. 23) per defluire completamente l'olio dal serbatoio. Per la RL-2 capovolgere la pompa e fare defluire l'olio dal tappo d'olio (La RL-2 non possiede un tappo di scarico).
- Collegare la pompa alla rete, e attivarla per ca. 5-10 secondi con tappo per il separatore d'olio aperto, per fare uscire l'olio restante nell' corpo pompa.
- Spegnere la pompa e scollegare dalla rete.
- Fate defluire completamente l'olio restante dalla pompa.
- Avvitare il tappo di scarico (Pos. 23) (RL-4/RL-8).
- Introdurre l'olio nuovo dall'foro di riempimento fino a quando il livello raggiunge la metà della spia.
- Avvitare il separatore di fumi d'olio (tappo olio, Pos. 19). Avviare la pompa per pochi secondi (per lubrificare la pompa con l'olio nuovo).

⚠ Se l'olio della pompa è molto incontaminato si consiglia di attivare la pompa e dopo 30 minuti di ricambiare ancora l'olio per togliere tutte le impurità.

Per non compromettere le prestazioni della pompa e non danneggiarla si consiglia di usare sempre l'olio raccomandato dalla REFCO DV-44, DV-45, DV-46, DV-48.

⚠ Smantellare l'olio usato rispettando le leggi e normative vigenti!

Tutti gli altri lavori di manutenzione devono essere eseguiti da un'impresa qualificata.

## Individuazione dei guasti

<b>Difetto</b>	<b>Causa</b>	<b>Rimedio</b>
Pompa gira con difficoltà, Numero dei Giri troppo basso	Olio troppo freddo	Mettere pompa in un ambiente riscaldato
	Olio non conforme Troppo denso	Cambiare con olio originale
	Olio contaminato	Cambio olio
	L'avvolgimento motore è difettoso	Rivolgersi al servizio assistenza
	Il cavo di collegamento è troppo lungo	Utilizzare un cavo più corto
	La tensione di rete è troppo bassa	La pompa è predisposta per max. +/- 10% della tensione di rete
Motore non parte	Condensatore difettoso	Cambiare il condensatore Chiedere assistenza
	L'interruttore è difettoso	Sostituire l'interruttore
	Il motore è surriscaldato	Lasciar raffreddare il motore
	Il cavo è difettoso	Sostituire il cavo
Motore romba - pompa bloccata	Pompa contaminata Pompa impantanata	Cambiare corpo pompa Chiedere assistenza
Motore gira ⇒ nessun rendimento	Perno del giunto spezzato	Chiedere assistenza
Spruzzi d'olio al separatore di fumi d'olio	Troppo olio nel serbatoio	Livello olio metà spia olio fare fuoriuscire l'olio di troppo
Formazione nebbia d'olio	Pressione di lavoro = Pressione atmosferica	Nebbia d'olio diminuisce quando si è in pressione aspirante
Livello olio non visibile	Poco olio	Aggiungere olio
Olio contaminato/torbido	Aspirato refrigerante/ olio contaminato	Cambiare olio
Prestazioni del vuoto troppo basso	Zavorratore aperto	Avvitare lo zavorratore Chiedere assistenza
	La calotta del bocchettone d'aspirazione è allentata	Avvitare a fondo la calotta
	L'O-ring della calotta del bocchettone d'aspirazione è difettoso	Sostituire l'O-ring
	Il livello dell'olio è troppo basso	Rabboccare l'olio
	L'olio è contaminato	Sostituire l'olio
	Il condotto perde	Controllare e, nel caso, sigillare il condotto
	La pompa è usurata	Riparare o sostituire la pompa
Pompa rumorosa	Cuscinetti motori difettosi	Chiedere assistenza
	Ventola difettosa	Sostituire la ventola

Difetto	Causa	Rimedio
Perdita olio pompa	Guarnizione serbatoio danneggiata	Cambiare O-Ring
	La vite di scarico dell'olio non tiene	Sostituire la vite
	Difetto spia livello olio	Sostituire spia livello olio
	Viti serbatoio non serrati	Cambiare la guarnizione e viti
	Anello di tenuta albero difettoso	Chiedere assistenza

## Garanzia

Le pompe del vuoto REFCO, sono garantiti per 24 mesi. Usura anomala, danni causati a normale logoramento, uso improprio non conforme alle istruzioni di fabbrica, uso d'olio sbagliato e l'apertura della pompa da parte dell'utente durante il periodo di garanzia ha di conseguenza la perdita della garanzia!

Per eliminare i difetti sotto garanzia a la pompa va resa a costi é responsabilità del mittente al venditore della pompa.

Dati tecnici	RL-2	RL-4	RL-8
Portata l/min (cfm)	35 (1.25)	65 (2.3)	150 (5.3)
Vuoto finale con zavorratore chiuso (à 20°C)	0.02 mbar (15 microns)		
Temperatura minima olio per avvio a freddo	+5°C	+5°C	+2°C
Raccordi SAE	1/4"	1/4"+3/8"	1/4"+3/8"
Zavorratore	Si	Si	Si
Separatore fumi olio	Si	Si	Si
Valvola di non ritorno olio	optional	optional	optional
Capacità olio ml	125	250	500
Niveau de pression acoustique d'émission LpA	LpA ≤ 70dB (A)		
Alimentazione elettrica	220/240V @50/60Hz		
Potenza motore KW / giri/min	0.16/2400	0.19/2400	0.37/2800
Dimensioni (LxLxA) mm	271x167x195	301x152x204	360x220x250
Peso kg	3.800	5.560	11.800

## Ricambi

Pos.	Designazione	Descrizion	No. d'ordine
------	--------------	------------	--------------

### Ricambi per RL-2

3.....	RL-2-3000.....	Carter olio completo.....	4661589
20.....	RL-2-3011.....	Spia livello d'olio completo .....	4661597
19.....	RL-4-303.....	Separatore fumi olio con guarnizione (Tappo olio) .....	4495471
24.....	RL-2/4-3060.....	Zavorratore completo .....	4661423
53.....	RL-8-4071.....	Antivibranti in gomma (4 pezzi).....	4507631
55.....	RL-2-406.....	Condensatore (1 pezzo).....	4661075

Pos.	Designazione	Descrizione	No. d'ordine
48.....	RL-4-415.....	Interruttore.....	4496770
52.....	RL-2-4000.....	Corpo in PVC completo.....	4661538
1.....	RL-2-2A.....	Kit corpo pompa revisionato in sostituzione.....	4661482
1.....	RL-2-2A.....	Kit corpo pompa revisionato senza sostituzione.....	4661482
.....	RL-2-1000.....	Kit guarnizioni.....	4668419

### Ricambi RL-4 (2. Serie)

3.....	RL-4-3000.....	Carter olio completo.....	4507674
20.....	RL-4-3011.....	Spia livello d'olio completo.....	4507682
23.....	RL-4-310.....	Tappo scarico olio con guarnizione.....	4496761
19.....	RL-4-303.....	Separatore fumi olio con guarnizione (Tappo olio).....	4495471
24.....	RL-2/4-3060.....	Zavorratore completo.....	4661423
53.....	RL-8-4071.....	Antivibranti in gomma (4 pezzi).....	4507631
55.....	RL-4-406.....	Condensatore (1 pezzo).....	4661066
48.....	RL-4-415.....	Interruttore.....	4496770
52.....	RL-4-4000.....	Corpo in PVC completo.....	4661474
1.....	RL-4-2A.....	Kit corpo pompa revisionato in sostituzione.....	4661954
1.....	RL-4-2A.....	Kit corpo pompa revisionato senza sostituzione.....	4661954
.....	RL-4-1000.....	Kit guarnizioni.....	4668427

### Ricambi RL-8

3.....	RL-8-3000.....	Carter olio completo.....	4507607
20.....	RL-8-3011.....	Spia livello d'olio completo.....	4507615
23.....	RL-4-310.....	Tappo scarico olio con guarnizione.....	4496761
19.....	RL-8-303.....	Separatore fumi olio con guarnizione (Tappo olio).....	4507445
24.....	RL-8-3060.....	Zavorratore completo.....	4507623
53.....	RL-8-4071.....	Antivibranti in gomma (4 pezzi).....	4507631
55.....	RL-8-426.....	Condensatore (1 pezzo).....	4507470
48.....	RL-4-415.....	Interruttore.....	4496770
52.....	RL-8-4000.....	Corpo in PVC completo.....	4507640
1.....	RL-8-2A.....	Kit corpo pompa revisionato in sostituzione.....	4507658
1.....	RL-8-2A.....	Kit corpo pompa revisionato senza sostituzione.....	4507658
.....	RL-4-1000.....	Kit guarnizioni.....	4668436

### Pezzi di ricambio

⇒ Per garantire che la pompa continui a funzionare con la sua costante qualità e performance e di eminenti importanza usare solo pezzi di ricambio originali. In caso contrario la pompa non solo potrebbe perdere potenza, ma correte anche il pericolo di danneggiarla.

Per ordinare pezzi di ricambio la preghiamo dunque di precisare il tipo e il codice di serie della pompa (vedi targhetta d'indicazione).

### Aspetti ambientali

La pompa è stata progettata e costruita per durare a lungo. Approvvigionamento del materiale e realizzazione del prodotto sono stati effettuati all'insegna del risparmio energetico e del rispetto per l'ambiente.

REFCO Manufacturing Ltd. si ritiene "responsabile a vita" dei propri prodotti e, non a caso, è certificata DIN EN ISO 14001 : 2004.

Al termine del suo ciclo di vita, l'apparecchio va smaltito dall'utilizzatore conformemente alle norme vigenti in materia nel paese in cui opera.

L'olio esausto e i vari componenti dell'apparecchio devono essere smaltiti nel rispetto dell'ambiente.

## Bombas de vacío RL

Gracias por adquirir una bomba de vacío REFCO. Nosotros estamos orgullosos de todos los productos REFCO y trabajamos continuamente para garantizar la fiabilidad operativa de nuestros productos.

Esta bomba de vacío ha sido desarrollada conforme a los requisitos establecidos en las directivas y normas CE.

Lea atentamente y siga estas instrucciones de uso y nuestras recomendaciones, ya que proporcionan información importante sobre la forma correcta de utilizar y mantener la bomba de vacío y ayudan a aumentar la vida útil de la bomba de vacío que ha adquirido.

## Tenga en cuenta las advertencias de seguridad!

⚠ Las advertencias de seguridad van precedidas de este símbolo:

Este símbolo internacional advierte de los peligros que pueden provocar lesiones personales o daños materiales graves.

### Índice

Advertencias de seguridad .....	32
Especificaciones de uso .....	33
Puesta en funcionamiento y transporte .....	33, 34
Datos eléctricos .....	34
Descripción técnica.....	34
Contenido (estándar) del suministro RL-2, RL-4, RL-8.....	34
Accesorios.....	35
Uso.....	35
Mantenimiento y cambio de aceite.....	35, 36
Solución de problemas.....	36, 37
Garantía .....	38
Datos técnicos .....	38
Piezas de recambio .....	2, 38, 39
Información medioambiental .....	39

## Advertencias de seguridad

⚠ **Antes de utilizar la bomba de vacío, lea atentamente estas instrucciones de uso, ya que contienen información importante para el uso correcto, el mantenimiento y la forma de desechar la bomba de vacío.**

⚠ **Esta bomba de vacío solo puede utilizarse conectada a una red eléctrica protegida con toma de tierra conforme a las normas vigentes.** Si el cable de red se dañara o separara durante el uso, no toque el cable y desconecte enseguida el enchufe de red. No utilice nunca un aparato con un cable dañado.

⚠ **Los productos REFCO han sido diseñados y fabricados específicamente para ser utilizados por técnicos frigoristas cualificados. Debido a las altas presiones y a los gases físicos y químicos que se utilizan en los sistemas de frío, REFCO rechaza cualquier responsabilidad o indemnización en caso de accidente, lesiones y/o fallecimiento.**

**REFCO advierte expresamente de que este tipo de productos solo debe venderse exclusivamente a profesionales debidamente cualificados.**



## Especificaciones de uso

Esta bomba de vacío ha sido diseñada para vaciar recipientes y sistemas cerrados de equipos de refrigeración y aire acondicionado.

La bomba de vacío ha sido diseñada para ser utilizada exclusivamente por personal especializado en este ámbito del sector industrial.

⚠ Esta bomba de vacío solo puede ser utilizada por personal para ello debidamente cualificado.

Cuando trabaje con equipos de refrigeración, protéjase siempre de forma adecuada llevando guantes, gafas y zapatos de protección.



⚠ La bomba de vacío **no** puede exponerse a lluvias ni ser utilizada en entornos húmedos o mojados.

⚠ La bomba de vacío **no** puede utilizarse en otros ámbitos que no sean los de refrigeración y aire acondicionado, ni tampoco puede integrarse en ningún aparato o equipo.

⚠ La bomba de vacío **no** puede utilizarse como compresor, ni ser utilizada para generar presión con aire u otros gases.

⚠ La bomba de vacío **no** puede utilizarse en las proximidades de gases explosivos.

⚠ Con esta bomba de vacío **no** pueden aspirarse gases abrasivos, dañinos o contaminantes, ni tampoco oxígeno puro, amoníaco y otros gases que puedan dañar las piezas de acero.

⚠ Al bombear refrigerantes inflamables, como p. ej. de los tipos R600a, R600, R290, estos deberán ser dirigidos hacia fuera de los edificios por motivos de seguridad.

⚠ La bomba de vacío **no** puede ser utilizada para aspirar líquidos como agua, combustibles, aceites, bebidas, alimentos líquidos para personas y animales, residuos líquidos, residuos fecales y líquidos similares.

## Puesta en funcionamiento y transporte

En las bombas de vacío que se suministran de fábrica sin enchufe debe instalarse antes de ponerlas en funcionamiento un enchufe de tres polos que cumpla con las normas eléctricas vigentes en el país correspondiente. Esta instalación deberá ser efectuada por una persona debidamente cualificada. La tensión de red debe coincidir con la indicada en la placa de características. La bomba de vacío solo puede conectarse a una red eléctrica debidamente protegida.

La bomba de vacío se suministra de fábrica sin aceite. El tapón de aceite amarillo debe ser retirado e después del llenado reemplazado por el separador de niebla de aceite (pos. 19). El aceite incluido (DV-44/DV-45) debe ser rellenado hasta llegar a la marca central de la mirilla de control (pos. 20) manteniendo la bomba de vacío en posición horizontal.

⚠ No supere nunca la marca central de la mirilla de control. Después de verter el aceite, vuelva a enroscar el tapón del separador de niebla de aceite (pos. 19).

⚠ Antes de poner en marcha la bomba de vacío, abra la tubuladura de aspiración quitando el tapón (en las bombas RL-8, también hay que girar la palanca de bloqueo a la posición „caudal”).

Una vez alcanzado el número óptimo de revoluciones, la bomba de vacío se conecta con un tubo flexible al sistema de frío.

⚠ Si la bomba de vacío sigue funcionando durante un largo periodo de tiempo sin que tenga nada que aspirar se puede formar mucha niebla en el separador de niebla de aceite.

⚠ La bomba de vacío debe llevarse siempre sujeta del asa.

⚠ Siempre que la bomba de vacío se transporte en algún vehículo deberá ir posicionada sobre sus patas, ya que tumbada podría verter aceite y, con ello, dañar el motor eléctrico y contaminar el medio ambiente.

## Datos eléctricos

Los datos eléctricos se encuentran indicados en la placa de características y en el apartado “Datos técnicos” de las instrucciones de uso.

## Descripción técnica

Las bombas de vacío RL-2, RL-4 y RL-8 son bombas de vacío rotativas de paletas con aislamiento de aceite. En ellas, el ventilador del motor enfría el motor y el depósito del aceite durante su funcionamiento, mientras que un separador de niebla de aceite se encarga de devolver el aceite al circuito del aceite por el lado de expulsión y una válvula de lastre de gas evita que el vapor de agua se condense en el interior de la bomba. Asimismo, llevan un interruptor de protección térmica en el bobinado del motor que apaga el motor automáticamente en caso de que se produzca un sobrecalentamiento.

⚠ Atención: Después de un tiempo de enfriamiento de aprox. 20 minutos, el motor vuelve a encenderse por sí solo y la bomba de vacío se pone en funcionamiento.

## Contenido (estándar) del suministro RL-2, RL-4, RL-8

- Aceite DV-44/DV-45 para llenar por primera vez la bomba de vacío.
- Instrucciones de uso

La bomba de vacío RL-8 lleva una válvula de bola para separar manualmente el sistema de frío y la bomba de vacío.

⚠ Todas las bombas se suministran sin aceite en el depósito del aceite.

**Reequipamiento opcional:** Dispositivo antirretorno de aceite para todas las bombas de vacío.

Para evitar que el sistema evacuado pierda el vacío en caso de que se produzca una interrupción involuntaria de la bomba (p. ej. por fallo eléctrico), las bombas de vacío pueden reequiparse con un tubo de aspiración provisto de un sistema antirretorno de aceite. Referencias de los tubos de aspiración **con** sistema antirretorno de aceite:

Para RL-2: RL-2-307-RS 4663786

Para RL-4: RL-4-307-RS 4663336

Para RL-8: RL-8-307-RS 4664244

## Accesorios

Vacuómetro con válvula de bola integrada:

RL-2, RL-4, RL-8: RL-VAC 4663981

Tubo de ventilación para transportar al exterior todos los gases inflamables:

RL-2, RL-4: 10859-CL-197-Y-SP 9881865

## Uso

Tenga en cuenta las características del arranque en frío de la bomba de vacío (ver apartado "Datos técnicos"). El mantenimiento de las temperaturas de arranque en frío indicadas garantiza una potencia plena desde el inicio del encendido de la bomba de vacío. No alcanzar esta temperatura no daña a la bomba de vacío, pero, dependiendo de la temperatura de arranque, la bomba de vacío puede tardar entre algunos segundos y algunos minutos en alcanzar su potencia.

⚠ Antes de efectuar cualquier labor de mantenimiento en la bomba de vacío, debe apagarse primero la bomba de vacío y desenchufar el cable de la red eléctrica. Solo así puede realizarse cualquier trabajo de mantenimiento en la bomba de vacío.

⚠ En el depósito del aceite se pueden alcanzar **temperaturas de hasta 70°C** durante el funcionamiento.

Durante el uso de la bomba de vacío, compruebe periódicamente el estado del aceite en la mirilla de control. Si el aceite está turbio, oscuro o sucio, o bien ha aumentado el nivel del aceite, quiere decir que se ha contaminado, por lo que deberá cambiarse inmediatamente. Cerciórese de que durante el funcionamiento de la bomba no haya objetos, paños o plásticos que tapen la bomba de vacío y mucho menos el lado donde está situado el ventilador, ya que si se obstaculiza el flujo de la corriente de aire, la bomba de vacío puede sobrecalentarse y, con ello, desconectarse automáticamente.

⚠ **Atención: La bomba se enciende automáticamente después de enfriarse.**

## Mantenimiento y cambio de aceite

El factor de mantenimiento más importante de una bomba de vacío es el aceite. Por eso, el aceite debe cambiarse como máximo tras 20 horas de funcionamiento o cuando se encuentre muy sucio (el aceite adquiere un color oscuro o turbio).

El aceite debe cambiarse también después de aspirar refrigerantes contaminados. Asimismo, los restos de agua o líquidos que puedan quedar en la bomba después de su uso pueden dañar también la bomba por corrosión.

⚠ El aceite sucio puede dañar la bomba de vacío.

### Cambiar el aceite paso a paso

- Encienda la bomba de vacío y espere a que alcance la temperatura de servicio. Entonces, apáguela y desenchúfela.
- Abra el separador de niebla de aceite (pos. 19).
- En las bombas RL-4/RL-8, vacíe el aceite abriendo el tapón de vaciado de aceite (pos. 23) o viértalo por la abertura del separador de niebla de aceite volcando la bomba (la bomba RL-2 no lleva ningún tapón de vaciado).
- Enchufe la bomba de vacío y enciéndala. Déjela funcionar entre aprox. 5 y 10 segundos con la tubuladura de aspiración abierta para que puedan expulsarse los restos de aceite de los escalones de presión.

- Apague la bomba y desenchúfela.
- Vacíe o vierta el resto de aceite.
- Vuelva a cerrar el tapón de vaciado de aceite (pos. 23) (RL-4/RL-8).
- Vierta aceite nuevo hasta la marca central de la mirilla de control.
- Cierre el separador de niebla del aceite (pos. 19) y vuelva a encender la bomba durante unos segundos.

⚠ Si el aceite está muy sucio, se recomienda volver a cambiar el aceite después de 30 minutos de funcionamiento para eliminar así completamente cualquier tipo de suciedad.

Para alcanzar la potencia indicada sin dañar la bomba de vacío, se aconseja utilizar los tipos de aceite DV-44, DV-45, DV-46, DV-48 recomendados por el fabricante.

⚠ El aceite deberá ser desechado por el usuario de la bomba de vacío según las normas vigentes en su país.

Cualquier otra labor de mantenimiento deberá ser efectuada por un taller especializado.

## Solución de problemas

Problema	Causa	Solución
La bomba de vacío arranca con dificultad y/o con poca potencia	El aceite está muy frío	Coloque la bomba de vacío en un entorno cálido
	Está usando un aceite distinto al recomendado y más espeso	Utilice el aceite recomendado
	La bomba está sucia	Efectúe un cambio de aceite
	El bobinado del motor está defectuoso	Diríjase al servicio de atención a clientes
	El cable de conexión es muy largo	Utilice un cable de conexión más corto
	La tensión de red es muy baja	La bomba de vacío está diseñada para ser utilizada con una tensión de red de +/- 10%
El motor no arranca	El condensador está defectuoso	Sustituya el condensador por uno nuevo
	El interruptor está defectuoso	Sustituya el interruptor por uno nuevo
	El motor está muy caliente	Deje que se enfríe
	El cable está defectuoso	Sustituya el cable por uno nuevo
El motor hace ruido, la bomba está bloqueada	La bomba está sucia o contaminada	Sustituya el escalón de presión, diríjase al servicio de atención al cliente
El motor arranca sin potencia	El perno de acoplamiento está roto	Diríjase al servicio de atención al cliente

<b>Problema</b>	<b>Causa</b>	<b>Solución</b>
Hay salpicaduras de aceite en el separador de niebla de aceite	El depósito del aceite está demasiado lleno	El nivel de aceite debe encontrarse en la marca central de la mirilla de control Vacíe el aceite sobrante
Hay niebla de aceite	La presión de servicio es igual que la presión atmosférica	La niebla de aceite se reduce regulando la presión de aspiración
El nivel de aceite no es visible	No hay suficiente aceite	Añada aceite
El aceite está sucio o turbio	Se ha aspirado refrigerante o aceite sucio	Efectúe un cambio de aceite
La bomba no alcanza el vacío	La válvula de lastre de gas está abierta	Cierre la válvula de lastre de gas
	El tapón de la tubuladura de aspiración no está bien cerrado	Cierre bien el tapón de la tubuladura de aspiración
	La junta tórica del tapón de la tubuladura de aspiración está defectuosa	Sustituya la junta tórica por una nueva
	El nivel de aceite es demasiado bajo	Añada más aceite
	El aceite está sucio o contaminado	Cambie el aceite
	El conducto no es estanco	Compruebe el conducto y aíslalo
	La bomba está desgastada por el largo tiempo de uso	Mande reparar la bomba o sustitúyala por una nueva
La bomba de vacío hace mucho ruido	Los cojinetes del motor están defectuosos	Diríjase al servicio de atención al cliente
	El ventilador está defectuoso	Sustituya el ventilador por uno nuevo
La bomba pierde aceite	La junta del depósito del aceite está defectuosa	Sustituya la junta por una nueva
	El tapón del vaciado de aceite no es estanco	Sustituya el tapón por otro nuevo
	La junta de la mirilla de control está defectuosa	Sustituya la mirilla de control
	Las tuercas del depósito del aceite no son estancas	
	Sustituya las juntas de las tuercas del depósito del aceite	
	La junta de eje está defectuosa	Diríjase al servicio de atención al cliente

## Garantía

REFCO concede una garantía de 24 meses para las bombas de vacío.

El tratamiento inadecuado de la bomba de vacío, el uso de la bomba de vacío para otros fines distintos a los indicados por el fabricante, el uso de un aceite inapropiado o la apertura de la bomba de vacío durante el periodo de garantía por parte del usuario conllevarán la pérdida de la garantía.

Para solucionar cualquier problema detectado en la bomba de vacío durante el periodo de garantía, el usuario deberá enviar la bomba de vacío por propia cuenta y riesgo al vendedor de la misma.

<b>Datos técnicos</b>			<b>RL-2</b>	<b>RL-4</b>	<b>RL-8</b>
Potencia	l/min	(cfm)	35 (1.25)	65 (2.3)	150 (5.3)
Presión final con la válvula de lastre de gas cerrada (a 20°C)			0.02 mbar (15 micrones)		
Temperatura mínima de aceite para arranques en frío			+5°C	+5°C	+2°C
Conexiones de los tubos de aspiración SAE			1/4"	1/4"+3/8"	1/4"+3/8"
Válvula de lastre de gas			Sí	Sí	Sí
Separador de niebla de aceite			Sí	Sí	Sí
Dispositivo antirretorno para aceite			Opcional	Opcional	Opcional
Llenado de aceite ml			125	250	500
Nivel de presión acústica de emisión (LpA)			LpA ≤ 70dB (A)		
Alimentación			220/240V @50/60Hz		
Motor KW/r.p.m.			0.16/2400	0.19/2400	0.37/2800
Medidas (LxFxA) mm			271x167x195	301x152x204	360x220x250
Peso kg			3800	5560	11800

## Piezas de recambio

Pos.	Referencia	Descripción	Art. n.º
------	------------	-------------	----------

### Piezas de recambio RL-2

3	..... RL-2-3000	..... Depósito de aceite, completo.....	4661589
20	.... RL-2-3011	..... Mirilla de control del nivel de aceite con junta y tuerca .....	4661597
19	.... RL-4-303	..... Separador de niebla de aceite con junta.....	4495471
24	.... RL-2/4-3060	.... Válvula de lastre de gas, completa .....	4661423
53	.... RL-8-4071	..... Patas de goma (4 uds.) .....	4507631
55	.... RL-2-406	..... Condensador (1 ud.).....	4661075
48	.... RL-4-415	..... Interruptor de palanca .....	4496770
52	.... RL-2-4000	..... Revestimiento, 2 piezas, completo.....	4661538
1	..... RL-2-2A	..... Cuerpo de bomba revisado con cambio de juntas .....	4661482
1	..... RL-2-2A	..... Cuerpo de bomba revisado sin cambio de juntas.....	4661482
.....	RL-2-1000	..... Kit de guarniciones.....	4668419

### Piezas de recambio RL-4

3	RL-4-3000	Depósito de aceite, completo.....	4507674
20	RL-4-3011	Mirilla de control del nivel de aceite con junta y tuerca.....	4507682
23	RL-4-310	Tapón de vaciado de aceite con junta tórica.....	4496761
19	RL-4-303	Separador de niebla de aceite con junta.....	4495471
24	RL-2/4-3060	Válvula de lastre de gas, completa.....	4661423
53	RL-8-4071	Patas de goma (4 uds.).....	4507631
55	RL-4-406	Condensador (1 ud.).....	4661066
48	RL-4-415	Interruptor de palanca.....	4496770
52	RL-4-4000	Revestimiento, 2 piezas, completo.....	4661474
1	RL-4-2A	Cuerpo de bomba revisado con cambio de juntas.....	4661954
1	RL-4-2A	Cuerpo de bomba revisado sin cambio de juntas.....	4661954
	RL-4-1000	Kit de guarniciones.....	4668427

### Piezas de recambio RL-8

3	RL-8-3000	Depósito de aceite, completo.....	4507607
20	RL-8-3011	Mirilla de control del nivel de aceite con junta y tuerca.....	4507615
23	RL-4-310	Tapón de vaciado de aceite con junta tórica.....	4496761
19	RL-8-303	Separador de niebla de aceite con junta.....	4507445
24	RL-8-3060	Válvula de lastre de gas, completa.....	4507623
53	RL-8-4071	Patas de goma (4 uds.).....	4507631
55	RL-8-426	Juego de condensadores (1 ud.).....	4507470
48	RL-4-415	Interruptor de palanca.....	4496770
52	RL-8-4000	Revestimiento, 2 piezas, completo.....	4507640
1	RL-8-2A	Cuerpo de bomba revisado con cambio de juntas.....	4507658
1	RL-8-2A	Cuerpo de bomba revisado sin cambio de juntas.....	4507658
	RL-4-1000	Kit de guarniciones.....	4668436

### Piezas de recambio

⇒ Es muy importante utilizar los materiales adecuados para las piezas de recambio, ya que, de lo contrario, se podría influir negativamente en el rendimiento de la bomba de vacío o incluso podría resultar dañada.

Cuando pida piezas de recambio, indique siempre el modelo y el número de serie de la bomba de vacío (ver placa de características).

### Información medioambiental

Esta bomba de vacío ha sido diseñada para que pueda ser utilizada durante mucho tiempo y, tanto en su fabricación como en la selección de sus materiales, se ha prestado especial atención para que consuma poca energía y sea lo más sostenible posible con el medio ambiente.

REFCO Manufacturing Ltd. se considera responsable de sus productos "durante toda la vida". Por eso, REFCO Manufacturing Ltd. ha sido certificado según la norma DIN EN ISO 14001 : 2004.

A la hora de desechar el aparato, el usuario deberá seguir la normativa vigente en su país.

El aceite y los demás componentes deberán ser desechados de la forma más sostenible posible con el medio ambiente.

HVAC/R  
Service Products



**REFCO Manufacturing Ltd.**

Industriestrasse 11  
6285 Hitzkirch - Switzerland

Telefon +41 41 919 72 82

Telefax +41 41 919 72 83

[info@refco.ch](mailto:info@refco.ch)  
[www.refco.ch](http://www.refco.ch)