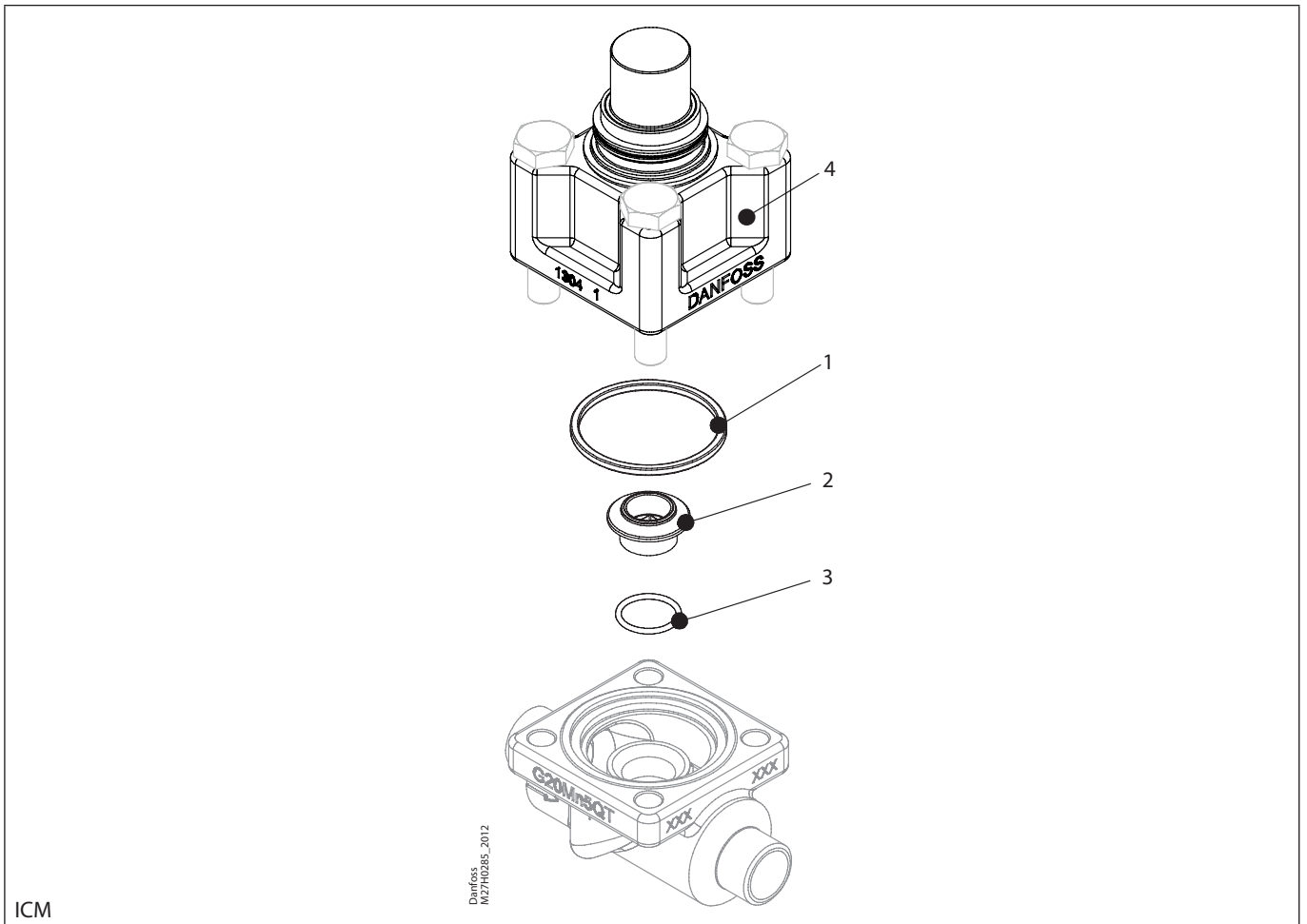


Installation guide – Spare parts and accessories

Overhaul kit | Code number 027H1194
 ICM, size 20B-66



ICM

Danfoss
 M27H0285_2012

<p>1</p> <p>Total no. = 1</p>	<p>2</p> <p>Total no. = 1</p>	<p>3</p> <p>Total no. = 1</p>	<p>4</p> <p>Cone type B-66: 7.5 mm Ø0.29"</p> <p>Total no. = 1</p>
--------------------------------------	--------------------------------------	--------------------------------------	---